



A Tyco Electronics USA Joint Venture

Technical Data Sheet

For

RA2 Atex Cable Gland



(A TE Connectivity - RPG Enterprises JV)



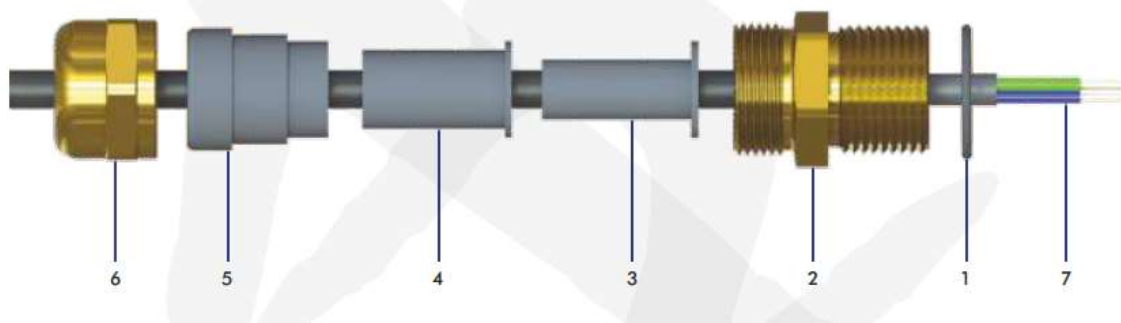
Raw Material Specification RA2 Atex Cable Gland:

Raychem RPG Manufacturers RA2 single compression Atex Cable Gland as per the requirement of EN 60079-0:2012; EN 60079-1:2014; EN 60079-7:2009; EN 60079-31:2014;

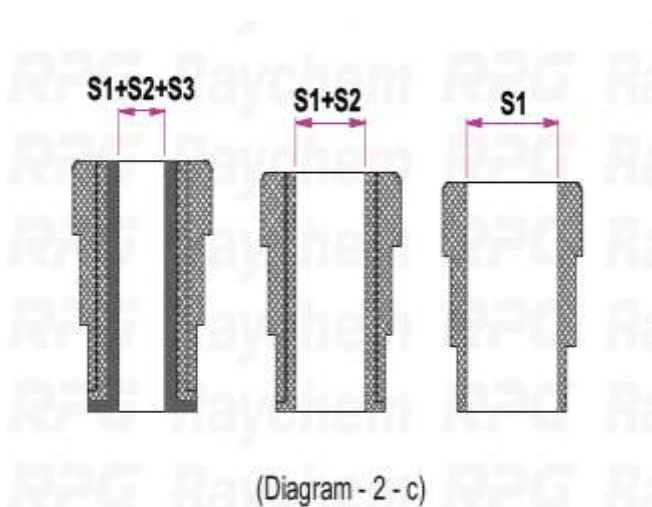
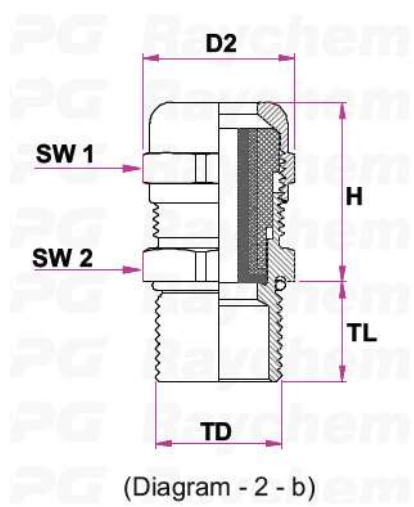
Technical Data:

| | | | |
|----------------------------|--|----------------|-------------------|
| Equipment | Gas Group | | Dust Group |
| | Zone 1 /Zone 2 | | Zone 21 / Zone 22 |
| Suitable for use | Group II | | Group III |
| | Gas Group IIC | | Dust Group IIIC |
| For | Gas & Dust potentially explosive atmospheres | | |
| Level of Protection | IP 66 /68 | | |
| Marking | RRPL Rr RA2 Ex CE 0539 II 2GD Ex d IIC Gb/Ex e IIC Gb/Ex tb IIIC Db IP66/68 -60° to +140°C IMQ 15 ATEX 016X/IECEx IMQ 15.0008X | | |
| Cable Type | Un-armoured | | |
| Seal Operating Temperature | Chloroprene | -40°C /+80°C | |
| | Silicone | -60°C /+ 140°C | |
| Material | Brass , Stainless steel, Aluminum ,Nickel plated Brass , Galvanize steel | | |
| Thread type | Metric (M) ISO Pitch 1.5 ; NPT (N) ANSI ASME B1.20.1 Other thread type also available upon request. | | |

Exploded View of RA2 Cable Gland:



| Item | Item Description |
|------|------------------|
| 1 | O-ring |
| 2 | Cone body |
| 3 | Seal S3 |
| 4 | Seal S2 |
| 5 | Seal S1 |
| 6 | Entry nut |
| 7 | Cable |



Product Part code table: Metric

| Thread type | Raychem Part Code | Clamping range (mm) min max dig 3-c | | | |
|-------------|-------------------|-------------------------------------|---------------|------------|---------|
| | | D (mm) | S1+S2+S3 (mm) | S1+S2 (mm) | S1 (mm) |
| M8x1.5 | SLM08S1NIC | 2-4 | - | 2-4 | 2-4 |
| M12x1.5 | SLM12S1NIC | 4-8 | 4-6 | - | - |
| M16x1.5 | SLM16S1NIC | 3-9 | - | 6-9 | 6-9 |
| M16x1.5 | SLM16S2NIC | 4-12 | 4.6 | 9-12 | 9-12 |
| M20x1.5 | SLM20S0NIC | 3-9 | - | 6-9 | 9-9 |
| M20x1.5 | SLM20S1NIC | 4-12 | 4.6 | 9-12 | 9-12 |
| M20x1.5 | SLM20S2NIC | 10-16 | 10-12 | 14.5-16 | 14.5-16 |
| M25x1.5 | SLM25S1NIC | 10-18 | 10-12 | 14.5-18 | 14.5-18 |
| M25x1.5 | SLM25S2NIC | 14-20 | 14-17 | - | - |
| M32x1.5 | SLM32S1NIC | 14-24 | 14-17 | 20-24 | 20-24 |
| M32x1.5 | SLM32S2NIC | 22-28 | 22-24 | 27-28 | 27-28 |
| M40x1.5 | SLM40S1NIC | 22-32 | 22-24 | 27-32 | 27-32 |
| M40x1.5 | SLM40S2NIC | 26-34 | 26-28 | 31-34 | 31-34 |
| M50x1.5 | SLM50S1NIC | 26-35 | 26-28 | 31-35 | 31-35 |
| M50x1.5 | SLM50S2NIC | 35-44 | 35-38 | 41-44 | 41-44 |
| M63x1.5 | SLM63S1NIC | 35-45 | 35-38 | 41-45 | 41-45 |
| M63x1.5 | SLM63S2NIC | 46-56 | 46-48 | 52-56 | 52-56 |
| M75x1.5 | SLM75S1NIC | 46-62 | 46-51 | 57-62 | 57-62 |
| M75x1.5 | SLM75S2NIC | 60-69 | 60-63 | 69-70 | 69-70 |
| M90x1.5 | SLM90S1NIC | 60-75 | 60-63 | 69-70 | 69-70 |
| M90x1.5 | SLM90S2NIC | 75-82 | 75-79 | 82-85 | 82-85 |
| M100x1.5 | SLM1001NIC | 75-85 | 75-79 | 82-85 | 82-85 |
| M110x1.5 | SLM1102NIC | 85-95 | 85-89 | 92-95 | 92-95 |

Product Part code table: NPT

| Thread type | Raychem Part Code | Clamping range (mm)min max dig 3-c | | | |
|-------------|-------------------|------------------------------------|---------------|------------|----------|
| | | D (mm) | S1+S2+S3 (mm) | S1+S2 (mm) | S1 (mm) |
| NPT1/4" | SLN14S1NIC | 4-8 | 4-6 | 6-8 | - |
| NPT3/8" | SLN38S1NIC | 3-9 | - | 3-6 | 6-9 |
| NPT3/8" | SLN38S2NIC | 4-12 | 4-6 | 6-9 | 9-12 |
| NPT1/2" | SLN12S0NIC | 3-9 | - | 3-6 | 6-9 |
| NPT1/2" | SLN12S1NIC | 4-12 | 4-6 | 6-9 | 9-12 |
| NPT1/2" | SLN12S2NIC | 10-16 | 10-12 | 12-14.5 | 14.5-16 |
| NPT3/4" | SLN34S1NIC | 10-18 | 10-12 | 12-14 | 514.5-18 |
| NPT3/4" | SLN34S2NIC | 14-20 | 14-17 | 17-20 | - |
| NPT1" | SLN01S1NIC | 14-24 | 14-17 | 17-20 | 20-24 |
| NPT1" | SLN01S2NIC | 22-26 | 22-24 | 24-26 | - |
| NPT1 1/4" | SLN1141NIC | 22-32 | 22-24 | 24-27 | 27-32 |
| NPT1 1/4" | SLN1142NIC | 26-34 | 26-28 | 28-31 | 31-34 |
| NPT1 1/2" | SLN1121NIC | 26-35 | 29-28 | 28-31 | 31-35 |
| NPT1 1/2" | SLN1122NIC | 35-41 | 35-38 | 38-41 | - |
| NPT2" | SLN02S1NIC | 35-45.03 | 5-38 | 38-41 | 41-45 |
| NPT2" | SLN02S2NIC | 46-56 | 46-48 | 48-52 | 52-56 |
| NPT2 1/2" | SLN2121NIC | 46-62 | 46-51 | 51-57 | 57-62 |
| NPT2 1/2" | SLN2122NIC | 60-70 | 60-63 | 63-69 | 69-70 |
| NPT3" | SLN03S1NIC | 60-70 | 60-63 | 63-69 | 69-70 |
| NPT3" | SLN03S2NIC | 75-85 | 75-79 | 79-82 | 82-85 |
| NPT4" | SLN04S1NIC | 75-85 | 75-79 | 79-82 | 82-85 |
| NPT4" | SLN04S2NIC | 85-95 | 85-89 | 89-92 | 92-95 |