

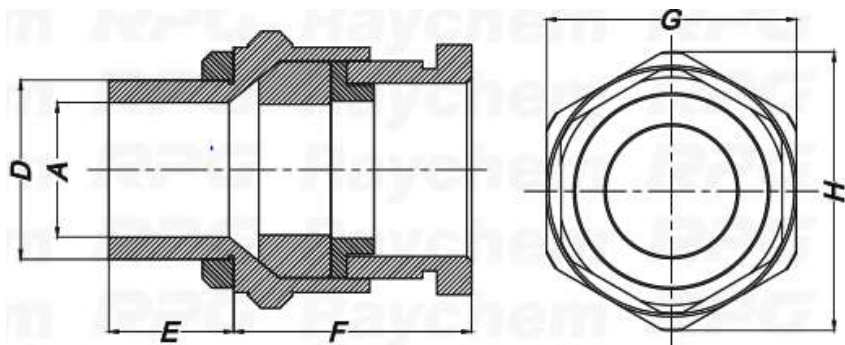
# Technical Data Sheet

## A1/A2 Cable gland



**A1 / A2 Industrial Cable Gland:**

Technical Information:	
<i>Design Specification</i>	IEC/EN 62444
<i>Ingress Protection</i>	IP66
<i>Gland Material</i>	Brass, Nickel plated Brass
<i>Operating Temperatures</i>	Neoprene: -40°C to +100°C Silicone: -50°C to +135°C
<i>Sealing Method</i>	Displacement Sealing
<i>Sealing Area</i>	Cable Outer Sheath
<i>Finish</i>	Natural Brass or Nickel Plated
<i>Cable Types</i>	Unarmored
<i>Application</i>	Indoor and Outdoor
<i>Accessories</i>	Lock Nut, Earth Tag, Shrouds, IP Washer
<i>Additional accessories</i>	Adaptor, Reducer



## Product Datasheet:

Cable Gland Type	Standard entry threads (D)	Overall Cable Diameter (A)		Gland Dimensions				
	Metric Thread type	Min. dia. (mm)	Max. dia. (mm)	ISO Entry=Thread		Protrusion length (F)	Hexagon Size	
				ISO Entry Thread Diameter (D)	ISO Entry Thread Length (E)		Across Flat (G mm)	Across Corner (H mm)
RRPL A1/A2 20/16L	M20	3.50	8.00	20.00	10.00	20.00	22.00	24.50
RRPL A1/A2 16 L	M20	3.50	8.00	20.00	10.00	20.00	22.00	24.50
RRPL A1/A2 20 S	M20	8.50	12.00	20.00	15.00	22.00	24.00	26.00
RRPL A1/A2 20 L	M20	8.00	13.00	20.00	15.00	22.00	26.00	29.00
RRPL A1/A2 25 S	M25	9.00	17.50	25.00	15.00	25.00	30.00	33.00
RRPL A1/A2 25 L	M25	14.00	21.00	25.00	15.00	26.00	33.50	37.00
RRPL A1/A2 32 L	M32	18.50	26.00	32.00	15.00	30.00	41.00	45.50
RRPL A1/A2 40 L	M40	25.00	33.00	40.00	15.00	31.00	50.00	55.50
RRPL A1/A2 50 S	M50	31.00	38.00	50.00	15.00	33.00	55.00	60.50
RRPL A1/A2 50 L	M50	35.00	44.00	50.00	15.00	33.00	59.50	67.00
RRPL A1/A2 63 S	M63	39.00	49.30	63.00	15.00	35.00	70.00	77.00
RRPL A1/A2 63 L	M63	46.00	53.50	63.00	15.00	35.00	74.00	80.00
RRPL A1/A2 75 S	M75	53.00	61.50	75.00	15.00	35.00	82.00	90.50
RRPL A1/A2 75 L	M75	60.00	67.40	75.00	15.00	40.00	84.00	94.00
RRPL A1/A2 90 L	M90	66.50	78.00	90.00	20.00	50.00	101.00	114.00

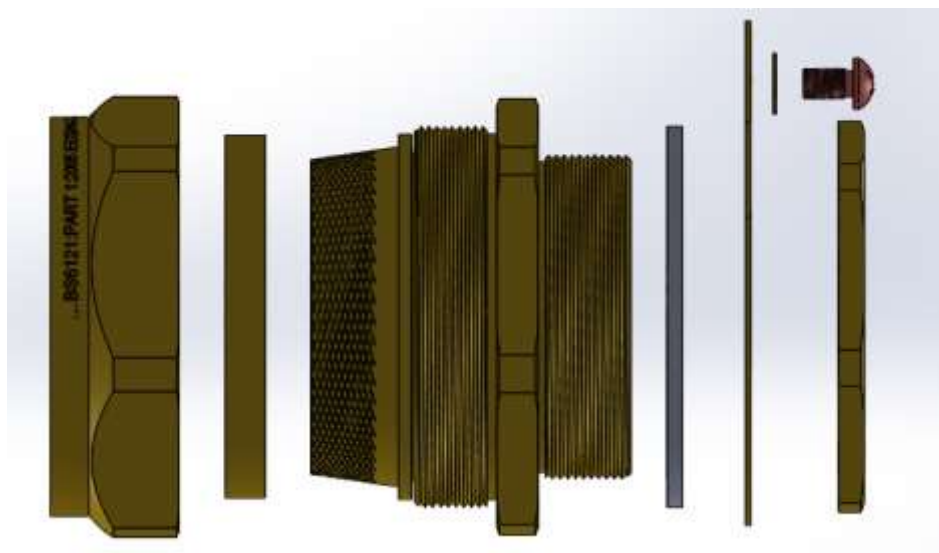
# Technical Data Sheet

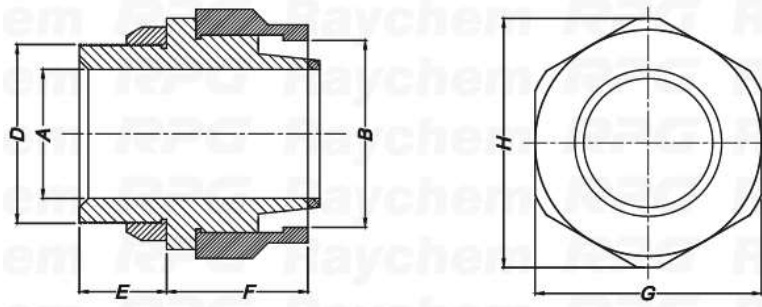
## BW Cable gland

## Raw Material Specification BW Industrial Cable Gland:-

Raychem RPG Manufacturers RSA Cable Gland as per the requirement of **BS 6121-1:2005**; and **IEC 62444/LOW VOLTAGE DIRECTIVES 2006/95/EC..**

Design specification	BS 6121-1:2005 IEC/EN 62444
Gland Size	M16 to M90
Armour clamping	Tow part armour lock
Sealing type	No sealing
Level of ingress protection	IP 2X
Cable Type	Armored (SWA-AWA)
Material	Brass, Nickel plated Brass Stainless steel.
Thread type	Metric/NPT
Finish	Natural Brass or Nickel Plated Brass
Application	Dry indoor
Accessories	Lock Nut, Shrouds, Earth Tag
Additional Accessories	Adapter, Reducer





Cable Gland Type	Cable under armour/bedding dia	Max Over all cable diameter (A)	Gland dimensions				
			ISO Entry=Thread		protrusion length (F)	Hexagon Size	
	Min. dia. (mm)	Max. Dia (mm) Entry nut ID	ISO Entry Thread Diameter (D)	ISO Entry Thread Length (E)		Across Flat (G mm)	Across Corner (H mm)
RRPL BW 16 S	8.0	12.0	16	10	23	20	23
RRPL BW 16 L	8.6	13.5	16	10	23	20	23
RRPL BW 20 S	12.6	16.8	20	10	23	22	24
RRPL BW 20 L	14.5	20.0	20	10	30	25	28
RRPL BW 25 S	19.5	24.5	25	10	30	31	34
RRPL BW 25 L	20.5	26.0	25	10	32	32	36
RRPL BW 32 L	22.0	32.5	32	10	36	40	44
RRPL BW 40 S	30.0	38.0	40	10	36	46	51
RRPL BW 40 L	33.0	40.5	40	15	39	49	55
RRPL BW 50 S	40.5	49.0	50	15	40	57	64
RRPL BW 50 L	44.1	54.0	50	15	45	62	69
RRPL BW 63 S	51.0	61.0	63	15	45	69	78
RRPL BW 63 L	56.2	65.5	75	15	50	75	84
RRPL BW 75 S	62.0	72.0	75	15	50	82	93
RRPL BW 75 L	68.0	77.5	75	15	50	88	99
RRPL BW 90 S	78.0	87.0	90	20	55	100	112
RRPL BW 90 L	78.5	88.0	90	20	55	112	120

# Technical Data Sheet

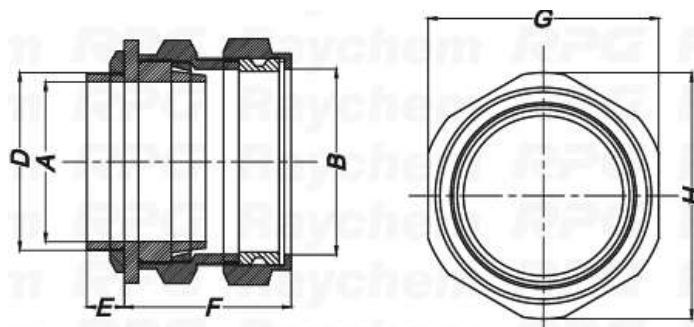
## CW Cable gland



## Raw Material Specification CW Industrial Cable Gland:-

Raychem RPG Manufacturers CW Cable Gland as per the requirement of **BS 6121-1:2005**; and **IEC 62444/LOW VOLTAGE DIRECTIVES 2006/95/EC...**

Design specification	BS 6121-1:2005 IEC/EN 62444	
<i>Gland Size</i>	M16 to M90 also available in NPT	
<i>Armour clamping</i>	Three part armour lock	
<i>Operating Temperature</i>	If Neoprene	-40°C to +100°C
	If silicone	-50°C to +135°C
<i>Level of ingress protection</i>	IP 66	
<i>Sealing Method</i>	Compression sealing	
<i>Cable Type</i>	Armored (SWA-AWA)	
<i>Material</i>	Brass, Nickel plated Brass.	
<i>Thread type</i>	Metric/NPT	
<i>Finish</i>	Natural Brass or Nickel Plated Brass	
<i>Application</i>	Dry indoor & Outdoor	
<i>Accessories</i>	Lock Nut, Shrouds, Earth Tag, IP washer	
<i>Additional Accessories</i>	Adapter, Reducer	





**Product Description:-**

Cable Gland Type	Standard entry thread (D)	Cable under armour/ bedding Diameter (A)	Overall Cable Diameter (B)		Gland dimension					Armour range	
					ISO Entry=Thread		protrusion length (F)	Hexagon Size			
	Metric Thread type	"Max. dia.(mm) Cone ID"	Min. dia. (mm)	Max. dia (mm) Entry nut ID	ISO Entry Thread Diameter(D)	ISO Entry Thread Length (E)		Across Flat (G mm)	Across Corner (H mm)	Min	Max
RRPL CW 16 S	M16	9.0	4.0	7.5	16.0	10.0	40	20.50	22.70	0.8	1.25
RRPL CW 16 L	M16	9.0	7.0	11.0	16.0	10.0	40	20.50	22.70	0.8	1.25
RRPL CW 20 S	M20	13	10.5	14.5	20.0	10.0	47	22.20	24.20	0.8	1.25
RRPL CW 20 L	M20	14.5	14.0	18.5	20.0	10.0	47	26.20	29.00	0.8	1.25
RRPL CW 25 S	M25	18.5	18.4	23.2	25.0	10.0	50	31.00	34.50	1.25	1.6
RRPL CW 25 L	M25	20.7	20.0	25.5	25.0	10.0	50	36.00	39.20	1.25	1.6
RRPL CW 32 L	M32	27.4	25.5	33.0	32.0	10.0	55	41.00	46.00	1.6	2.0
RRPL CW 40 S	M40	32.7	31.0	36.5	40.0	15.0	60	49.50	55.50	1.6	2.0
RRPL CW 40 L	M40	33.5	34.5	40.0	40.0	15.0	60	49.50	54.50	1.6	2.0
RRPL CW 50 S	M50	44.5	39.0	46.7	50.0	15.0	65	57.00	63.50	2.0	2.5
RRPL CW 50 L	M50	44.5	43.5	51.0	50.0	15.0	65	62.00	69.60	2.0	2.5
RRPL CW 63 S	M63	50.0	47.5	55.6	63.0	15.0	70	73.00	81.00	2.0	2.5
RRPL CW 63 L	M63	56.3	54.0	62.2	63.0	15.0	70	78.00	86.00	2.0	2.5
RRPL CW 75 S	M75	63.1	61.5	68.0	75.0	15.0	75	84.50	95.50	2.0	2.5
RRPL CW 75 L	M75	68.0	67.0	75.5	75.0	15.0	75	91.00	102.20	2.5	3.0
RRPL CW 90 S	M90	77.3	75.5	85.0	90.0	20.0	90	100.00	110.00	3.15	4.0
RRPL CW 90 L	M90	78.7	80.0	88.7	90.0	20.0	90	103.00	114.00	3.15	4.0

# Technical Data Sheet

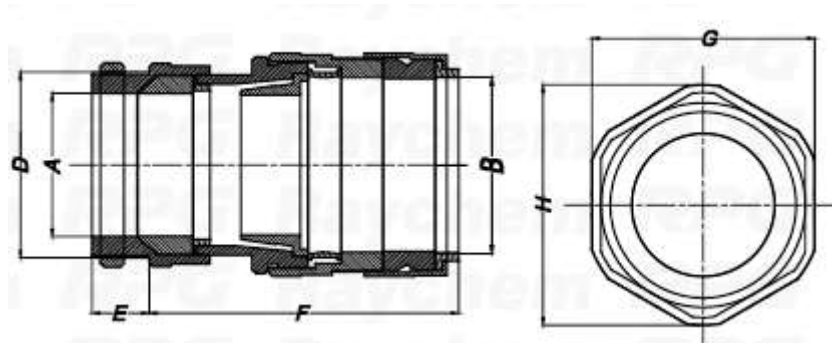
## E1W Cable gland



## Raw Material Specification E1W Industrial Cable Gland:-

Raychem RPG Manufacturers E1W Cable Gland as per the requirement of **BS 6121-1:2005**; and **IEC 62444/LOW VOLTAGE DIRECTIVES 2006/95/EC...**

Design specification	BS 6121-1:2005 IEC/EN 62444	
Gland Size	M16 to M90 also available in NPT	
Armour clamping	Three part armour lock	
Operating Temperature	If Neoprene	-40°C to +100°C
	If silicone	-50°C to +135°C
Level of ingress protection	IP 66	
Sealing Method	"Double compression sealing" compression sealing on Outer sheath and compression sealing on inner sheath	
Cable Type	Armored (SWA-AWA)	
Material	Brass, Nickel plated Brass.	
Thread type	Metric/NPT	
Finish	Natural Brass or Nickel Plated Brass	
Application	Dry indoor & Outdoor	
Accessories	Lock Nut, Shrouds, Earth Tag, IP washer	
Additional Accessories	Adapter, Reducer	



**Product Description:-**

"Cable Gland Type"	Standard entry thread (D)	Cable Under armour/ Bedding Diameter (A)		Overall Cable Diameter (A)		Gland Dimensions					Armour range	
						ISO Entry=Thread		Protrusion length (F)	Hexagon Size			
	Metric Thread type	Min. dia. (mm)	"Max. dia.(mm) Cone ID"	Min. dia. (mm)	"Max. dia (mm) Entry nut ID"	ISO Entry Thread Diameter (D)	ISO Entry Thread Length (E)		Across Flat (G mm)	Across Corner (H mm)	Min	Max
RRPLE1W 16 L	M16 L	3.00	10.00	6.5	11.50	16	15.00	40	22.0	24.0	0.8	1.25
RRPLE1W 20 S	M20 S	6.00	12.00	10.5	15.00	20	15.00	45	22.0	24.0	0.8	1.25
RRPLE1W 20 L	M20 L	10.20	14.50	14.8	19.00	20	15.00	45	27.0	30.0	0.8	1.25
RRPLE1W 25 S	M25 S	12.50	20.70	18.0	21.50	25	15.00	50	31.0	35.0	1.25	1.6
RRPLE1W 25 L	M25 L	14.00	20.70	19.5	25.50	25	15.00	50	35.0	39.0	1.25	1.6
RRPLE1W 32 L	M32 L	16.80	27.00	23.0	31.30	32	15.00	55	44.0	48.0	1.6	2.0
RRPLE1W 40 S	M40 S	24.80	32.00	31.0	38.00	40	15.00	60	51.5	57.5	1.6	2.0
RRPLE1W 40 L	M40 L	28.00	34.00	33.5	40.00	40	15.00	60	51.5	57.5	1.6	2.0
RRPLE1W 50 S	M50 S	32.00	44.80	39.0	45.00	50	15.00	65	64.5	72.0	2.0	2.5
RRPLE1W 50 L	M50 L	37.00	44.80	44.0	49.30	50	15.00	65	64.5	72.0	2.0	2.5
RRPLE1W 63 S	M63 S	41.50	53.50	48.5	58.00	63	18.00	70	70.0	77.0	2.0	2.5
RRPLE1W 63 L	M63 L	50.00	58.00	57.0	65.00	63	18.00	70	78.0	87.5	2.0	2.5
RRPLE1W 75 S	M75 S	55.00	62.00	62.0	67.00	75	20.00	76	84.0	92.5	2.0	2.5
RRPLE1W 75 L	M75 L	59.00	68.50	66.4	78.50	75	20.00	79	95.0	108.0	2.5	3.0
RRPLE1W 90 L	M90 L	66.50	73.50	72.0	88.00	90	20.00	96	105.0	122.0	3.15	4.0



### ADAPTER & REDUCERS

**Material:**

- Brass
- Nickel plated brass

**Features:**

- Designed to provide flexibility when there is conflict between the type of size of cable gland thread and cable entry hole in the equipment.
- Available in standard sizes from M16 to M100.
- Thread conversions available in METRIC, NPT, PG.

### EARTHING TAG

**Material:**

- Brass
- Nickel plated brass

**Features:**

- Means of connection or an earth bond around the cable gland.
- Available in various shapes and in standard sizes.
- Ensures earth continuity between the electrical equipment & the gland.
- Can be coated or plated as per Customer specification.



Metric	Product Code	Size	Product Code
M16	RRPLET - 16	M50	RRPLET - 50
M20	RRPLET - 20	M63	RRPLET - 63
M25	RRPLET - 25	M75	RRPLET - 75
M32	RRPLET - 32	M90	RRPLET - 90
M40	RRPLET - 40		

### LOCK NUT

**Material:**

- Brass
- Nickel plated brass

**Features:**

- Used in fastening glands to the gland plate.
- Available in Metric, NPT & PG.

Sizes: M16 to M90

Metric	Product Code	Metric	Product Code
M16	RRPLLN - 16	M50	RRPLLN - 50
M20	RRPLLN - 20	M63	RRPLLN - 63
M25	RRPLLN - 25	M75	RRPLLN - 75
M32	RRPLLN - 32	M90	RRPLLN - 90
M40	RRPLLN - 40		



### SHROUDS: PVC, LSF & LSHZ

**Material:**

- High Grade Poly Vinyl Chloride
- Low Smoke and Low Flammable compound
- Low Smoke Zero Halogen.

**Features:**

- Provide additional enhances IP rating of the Gland Terminals.
- Effective solution to weather and corrosion protection of a Cable Gland.
- Available in same gland size compatible to each size of the Cable Gland.
- The arrow end of the sleeve can be readily cut with a knife, enabling it to be slipped over a wide range of cable diameters and assists ease of installations.

