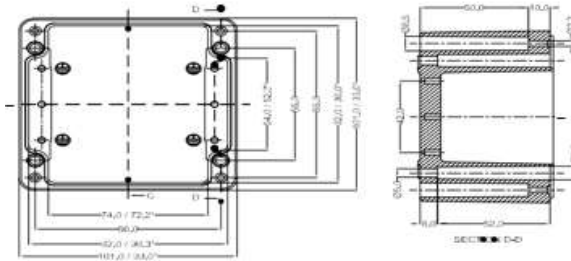




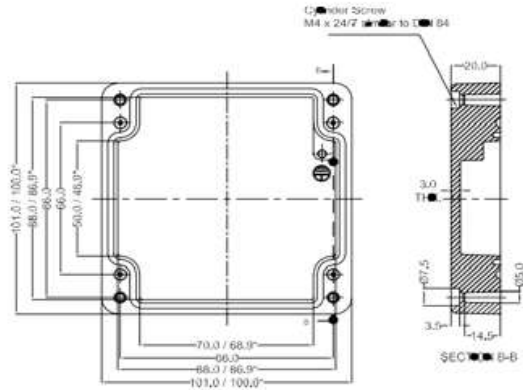
EX-RJ101080



BASE



LID



PRODUCT SPECIFICATION -EX	
Dim (LxWxH):	100X100X80
Model No (Component):	RJ 101080
Model No (Equipment):	Ex – RJ 101080

PRODUCT SPECIFICATION -EX		
Type	Certificate Number ATEX	Certificate Number IECEx
Component (U)	SIRA 18ATEX3261U	IECEx SIR 18.0070U
Equipment (X)	SIRA 19ATEX 3015X	IECEx SIR 19.0020X

TECHNICAL SPECIFICATION	
Material:	Aluminium
Colour:	Similar to RAL 7001 / Grey
Protection:	IP 66, IEC / EN 60529
Gasket:	Silicone
Lid Screw:	Captive Screw - SS1.4301 (A2) – M4
Tightening Torque:	4 Nm
Impact Strength:	Impact Energy > 7 Joules, IEC / EN 60079 - 0
Service Temperature	-60°C to +140°C
Process Control System	ISO 9001 - 2015, IEC 80079 - 34

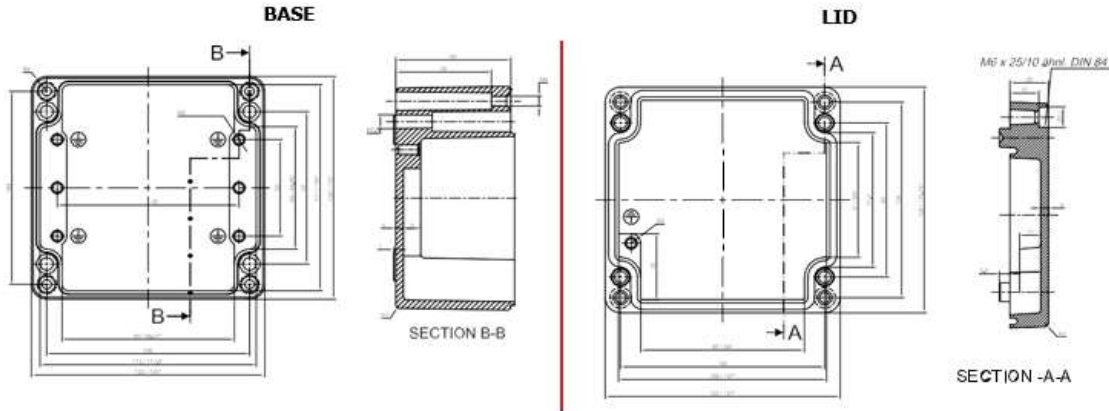
AVAILABLE ON DEMAND	
DIN Rail	TS15
Mounting Plate	Yes

MAXIMUM ALLOWED WATTAGE RATING
2.96 Watts

* Maximum No. of terminals depends on internal fitting



EX-RJ121280



PRODUCT SPECIFICATION -EX	
Dim (LxWxH):	122X120X80
Model No (Component):	RJ 121280
Model No (Equipment):	Ex – RJ 121280

PRODUCT SPECIFICATION -EX		
Type	Certificate Number ATEX	Certificate Number IECEx
Component (U)	SIRA 18ATEX3261U	IECEx SIR 18.0070U
Equipment (X)	SIRA 19ATEX 3015X	IECEx SIR 19.0020X

TECHNICAL SPECIFICATION	
Material:	Aluminium
Colour:	Similar to RAL 7001 / Grey
Protection:	IP 66, IEC / EN 60529
Gasket:	Silicone
Lid Screw:	Captive Screw - SS1.4301 (A2) – M4
Tightening Torque:	4 Nm
Impact Strength:	Impact Energy > 7 Joules, IEC / EN 60079 - 0
Service Temperature	-60°C to +140°C
Process Control System	ISO 9001 - 2015, IEC 80079 - 34

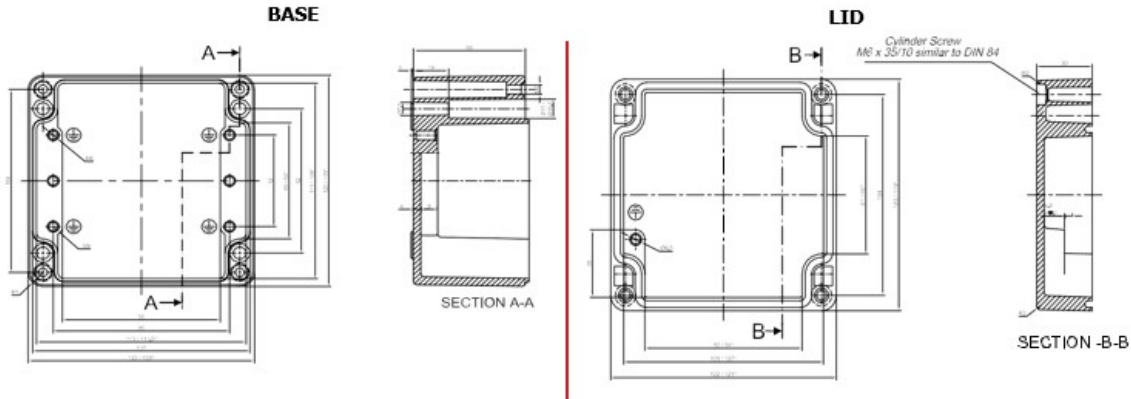
AVAILABLE ON DEMAND	
DIN Rail	TS15
Mounting Plate	Yes

MAXIMUM ALLOWED WATTAGE RATING
3.57 Watts

* Maximum No. of terminals depends on internal fitting



EX-RJ121290



PRODUCT SPECIFICATION -EX	
Dim (LxWxH):	120 X 120 X 90
Model No (Component):	RJ 121290
Model No (Equipment):	Ex - RJ 121290

PRODUCT SPECIFICATION -EX		
Type	Certificate Number ATEX	Certificate Number IECEx
Component (U)	SIRA 18ATEX3261U	IECEx SIR 18.0070U
Equipment (X)	SIRA 19ATEX 3015X	IECEx SIR 19.0020X

TECHNICAL SPECIFICATION	
Material:	Aluminium
Colour:	Similar to RAL 7001 / Grey
Protection:	IP 66, IEC / EN 60529
Gasket:	Silicone
Lid Screw:	Captive Screw - SS1.4301 (A2) - M6
Tightening Torque:	4 Nm
Impact Strength:	Impact Energy > 7 Joules, IEC / EN 60079 - 0
Service Temperature	-60°C to +140°C
Process Control System	ISO 9001 - 2015, IEC 80079 - 34

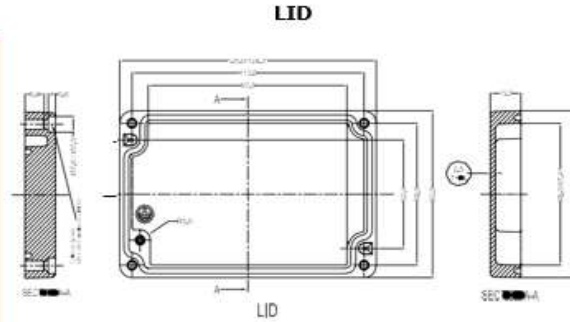
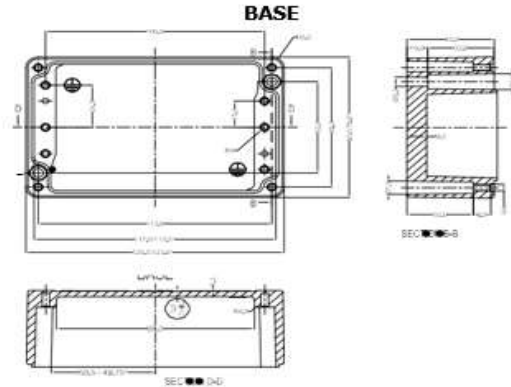
AVAILABLE ON DEMAND	
DIN Rail	TS35
Mounting Plate	Yes

MAXIMUM ALLOWED WATTAGE RATING
3.76 Watts

* Maximum No. of terminals depends on internal fitting



EX-RJ128057



PRODUCT SPECIFICATION -EX	
Dim (LxWxH):	125X80X57
Model No (Component):	RJ 128057
Model No (Equipment):	Ex – RJ 128057

PRODUCT SPECIFICATION -EX		
Type	Certificate Number ATEX	Certificate Number IECEx
Component (U)	SIRA 18ATEX3261U	IECEx SIR 18.0070U
Equipment (X)	SIRA 19ATEX 3015X	IECEx SIR 19.0020X

TECHNICAL SPECIFICATION	
Material:	Aluminium
Colour:	Similar to RAL 7001 / Grey
Protection:	IP 66, IEC / EN 60529
Gasket:	Silicone
Lid Screw:	Captive Screw - SS1.4301 (A2) – M4
Tightening Torque:	4 Nm
Impact Strength:	Impact Energy > 7 Joules, IEC / EN 60079 - 0
Service Temperature	-60°C to +140°C
Process Control System	ISO 9001 - 2015, IEC 80079 - 34

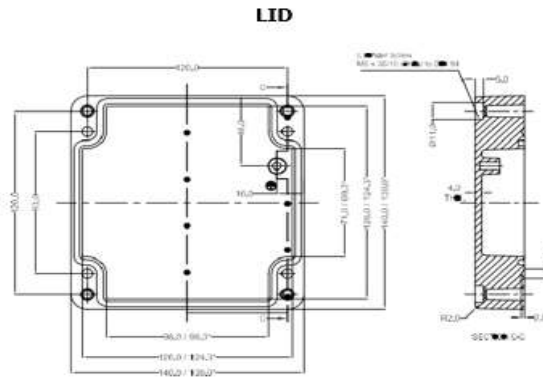
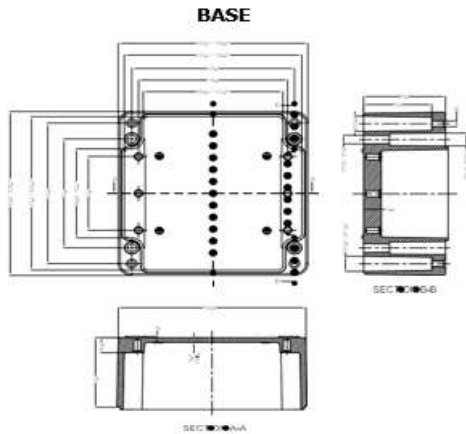
AVAILABLE ON DEMAND	
DIN Rail	TS15
Mounting Plate	Yes

MAXIMUM ALLOWED WATTAGE RATING
2.96 Watts

* Maximum No. of terminals depends on internal fitting



EX-RJ141490



PRODUCT SPECIFICATION -EX	
Dim (LxWxH):	140 X 140 X 90
Model No (Component):	RJ 141490
Model No (Equipment):	Ex – RJ 141490

PRODUCT SPECIFICATION -EX		
Type	Certificate Number ATEX	Certificate Number IECEx
Component (U)	SIRA 18ATEX3261U	IECEx SIR 18.0070U
Equipment (X)	SIRA 19ATEX 3015X	IECEx SIR 19.0020X

TECHNICAL SPECIFICATION	
Material:	Aluminium
Colour:	Similar to RAL 7001 / Grey
Protection:	IP 66, IEC / EN 60529
Gasket:	Silicone
Lid Screw:	Captive Screw - SS1.4301 (A2) – M6
Tightening Torque:	4 Nm
Impact Strength:	Impact Energy > 7 Joules, IEC / EN 60079 - 0
Service Temperature	-60°C to +140°C
Process Control System	ISO 9001 - 2015, IEC 80079 - 34

AVAILABLE ON DEMAND	
DIN Rail	TS35
Mounting Plate	Yes

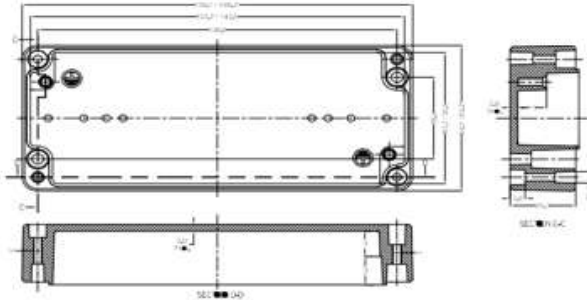
MAXIMUM ALLOWED WATTAGE RATING
4.68 Watts

* Maximum No. of terminals depends on internal fitting

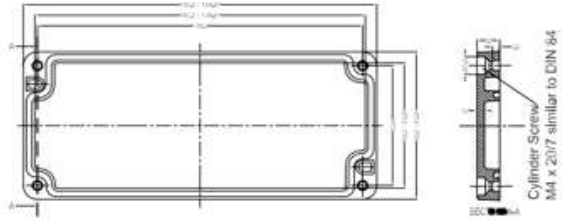
EX-RJ156434



BASE



LID



PRODUCT SPECIFICATION -EX	
Dim (LxWxH):	150X64X34
Model No (Component):	RJ 156434
Model No (Equipment):	Ex – RJ 156434

PRODUCT SPECIFICATION -EX		
Type	Certificate Number ATEX	Certificate Number IECEx
Component (U)	SIRA 18ATEX3261U	IECEx SIR 18.0070U
Equipment (X)	SIRA 19ATEX 3015X	IECEx SIR 19.0020X

TECHNICAL SPECIFICATION	
Material:	Aluminium
Colour:	Similar to RAL 7001/ Grey
Protection:	IP 66, IEC / EN 60529
Gasket:	Silicone
Lid Screw:	Captive Screw - SS1.4301 (A2) – M4
Tightening Torque:	4 Nm
Impact Strength:	Impact Energy > 7 Joules, IEC / EN 60079 - 0
Service Temperature	-60°C to +140°C
Process Control System	ISO 9001 - 2015, IEC 80079 - 34

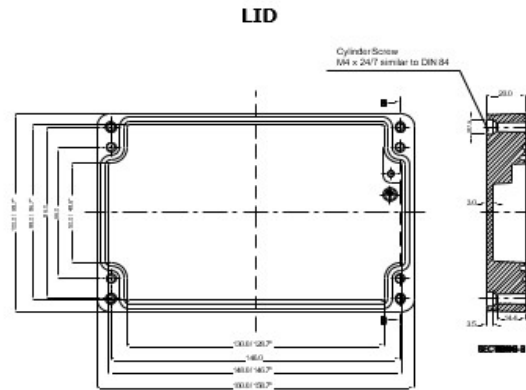
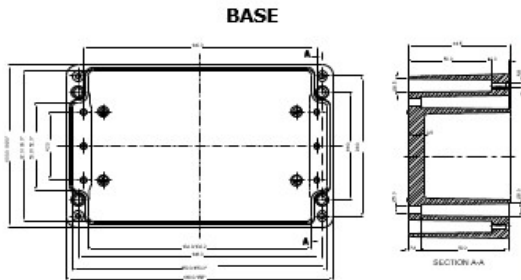
AVAILABLE ON DEMAND	
DIN Rail	TS15
Mounting Plate	Yes

MAXIMUM ALLOWED WATTAGE RATING
2.42 Watts

* Maximum No. of terminals depends on internal fitting



EX-RJ161080



PRODUCT SPECIFICATION -EX	
Dim (LxWxH):	160X100X80
Model No (Component):	RJ 161080
Model No (Equipment):	Ex – RJ 161080

PRODUCT SPECIFICATION -EX		
Type	Certificate Number ATEX	Certificate Number IECEx
Component (U)	SIRA 18ATEX3261U	IECEx SIR 18.0070U
Equipment (X)	SIRA 19ATEX 3015X	IECEx SIR 19.0020X

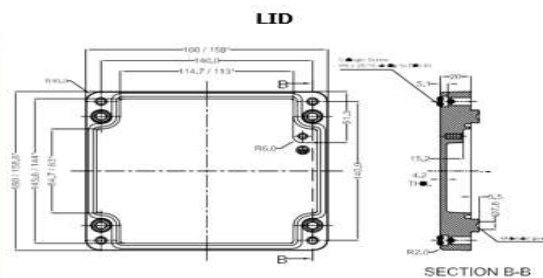
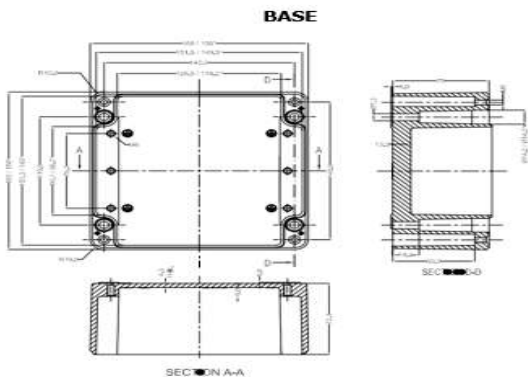
TECHNICAL SPECIFICATION	
Material:	Aluminium
Colour:	Similar to RAL 7001 / Grey
Protection:	IP 66, IEC / EN 60529
Gasket:	Silicone
Lid Screw:	Captive Screw - SS1.4301 (A2) – M4
Tightening Torque:	4 Nm
Impact Strength:	Impact Energy > 7 Joules, IEC / EN 60079 - 0
Service Temperature	-60°C to +140°C
Process Control System	ISO 9001 - 2015, IEC 80079 - 34

AVAILABLE ON DEMAND	
DIN Rail	TS15
Mounting Plate	Yes

MAXIMUM ALLOWED WATTAGE RATING
3.88 Watts

* Maximum No. of terminals depends on internal fitting

EX-RJ161690



PRODUCT SPECIFICATION -EX	
Dim (LxWxH):	160X160X90
Model No (Component):	RJ 161690
Model No (Equipment):	Ex – RJ 161690

PRODUCT SPECIFICATION -EX		
Type	Certificate Number ATEX	Certificate Number IECEx
Component (U)	SIRA 18ATEX3261U	IECEx SIR 18.0070U
Equipment (X)	SIRA 19ATEX 3015X	IECEx SIR 19.0020X

TECHNICAL SPECIFICATION	
Material:	Aluminium
Colour:	Similar to RAL 7001 / Grey
Protection:	IP 66, IEC / EN 60529
Gasket:	Silicone
Lid Screw:	Captive Screw - SS1.4301 (A2) – M6
Tightening Torque:	4 Nm
Impact Strength:	Impact Energy > 7 Joules, IEC / EN 60079 - 0
Service Temperature	-60°C to +140°C
Process Control System	ISO 9001 - 2015, IEC 80079 - 34

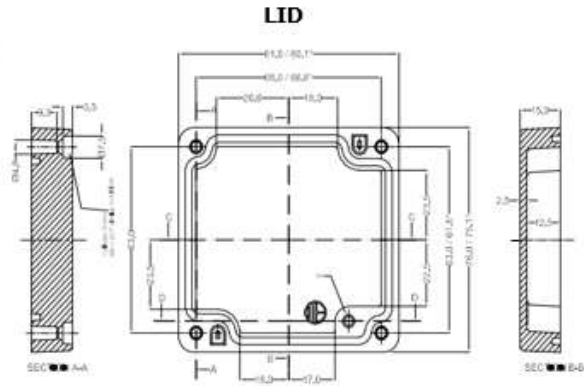
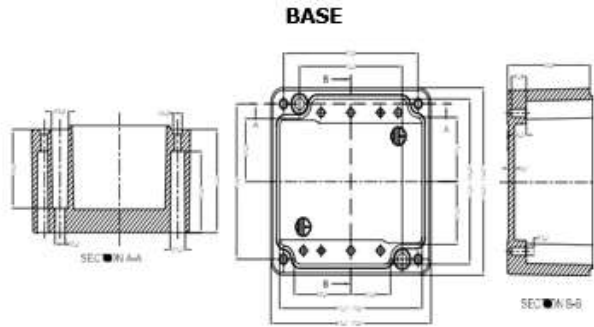
AVAILABLE ON DEMAND	
DIN Rail	TS35
Mounting Plate	Yes

MAXIMUM ALLOWED WATTAGE RATING
5.64 Watts

* Maximum No. of terminals depends on internal fitting



EX-RJ178057



PRODUCT SPECIFICATION -EX	
Dim (LxWxH):	175X80X57
Model No (Component):	RJ 178057
Model No (Equipment):	Ex – RJ 178057

PRODUCT SPECIFICATION -EX		
Type	Certificate Number ATEX	Certificate Number IECEx
Component (U)	SIRA 18ATEX3261U	IECEx SIR 18.0070U
Equipment (X)	SIRA 19ATEX 3015X	IECEx SIR 19.0020X

TECHNICAL SPECIFICATION	
Material:	Aluminium
Colour:	Similar to RAL 7001 / Grey
Protection:	IP 66, IEC / EN 60529
Gasket:	Silicone
Lid Screw:	Captive Screw - SS1.4301 (A2) – M4
Tightening Torque:	4 Nm
Impact Strength:	Impact Energy > 7 Joules, IEC / EN 60079 - 0
Service Temperature	-60°C to +140°C
Process Control System	ISO 9001 - 2015, IEC 80079 - 34

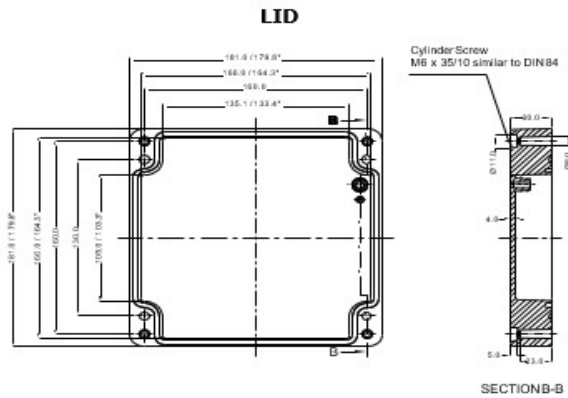
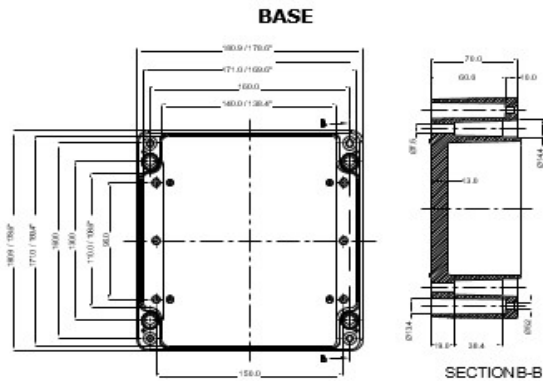
AVAILABLE ON DEMAND	
DIN Rail	TS15
Mounting Plate	Yes

MAXIMUM ALLOWED WATTAGE RATING
3.12 Watts

* Maximum No. of terminals depends on internal fitting



EX-RJ181890



PRODUCT SPECIFICATION -EX	
Dim (LxWxH):	180 X 180 X 100
Model No (Component):	RJ 181810
Model No (Equipment):	Ex – RJ 181810

PRODUCT SPECIFICATION -EX		
Type	Certificate Number ATEX	Certificate Number IECEx
Component (U)	SIRA 18ATEX3261U	IECEx SIR 18.0070U
Equipment (X)	SIRA 19ATEX 3015X	IECEx SIR 19.0020X

TECHNICAL SPECIFICATION	
Material:	Aluminium
Colour:	Similar to RAL 7001 / Grey
Protection:	IP 66, IEC / EN 60529
Gasket:	Silicone
Lid Screw:	Captive Screw - SS1.4301 (A2) – M6
Tightening Torque:	4 Nm
Impact Strength:	Impact Energy > 7 Joules, IEC / EN 60079 - 0
Service Temperature	-60°C to +140°C
Process Control System	ISO 9001 - 2015, IEC 80079 - 34

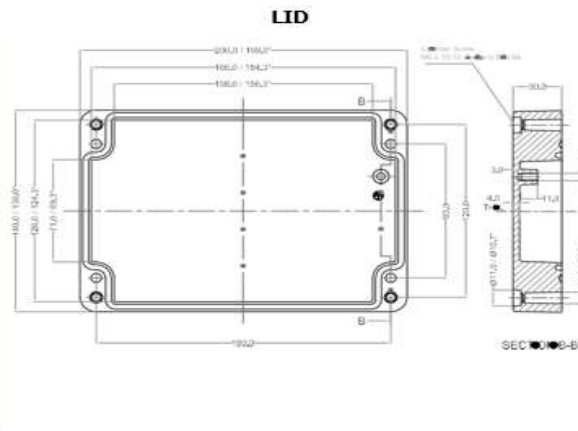
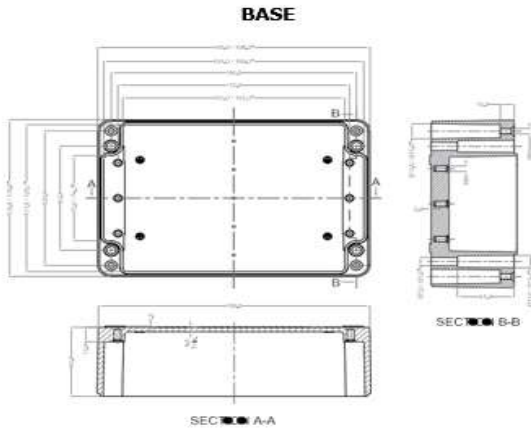
AVAILABLE ON DEMAND	
DIN Rail	TS35
Mounting Plate	Yes

MAXIMUM ALLOWED WATTAGE RATING
7.04 Watts

* Maximum No. of terminals depends on internal fitting



EX-RJ201490



PRODUCT SPECIFICATION -EX	
Dim (LxWxH):	200 X 140 X 90
Model No (Component):	RJ 201490
Model No (Equipment):	Ex – RJ 201490

PRODUCT SPECIFICATION -EX		
Type	Certificate Number ATEX	Certificate Number IECEx
Component (U)	SIRA 18ATEX3261U	IECEx SIR 18.0070U
Equipment (X)	SIRA 19ATEX 3015X	IECEx SIR 19.0020X

TECHNICAL SPECIFICATION	
Material:	Aluminium
Colour:	Similar to RAL 7001 / Grey
Protection:	IP 66, IEC / EN 60529
Gasket:	Silicone
Lid Screw:	Captive Screw - SS1.4301 (A2) – M6
Tightening Torque:	4 Nm
Impact Strength:	Impact Energy > 7 Joules, IEC / EN 60079 - 0
Service Temperature	-60°C to +140°C
Process Control System	ISO 9001 - 2015, IEC 80079 - 34

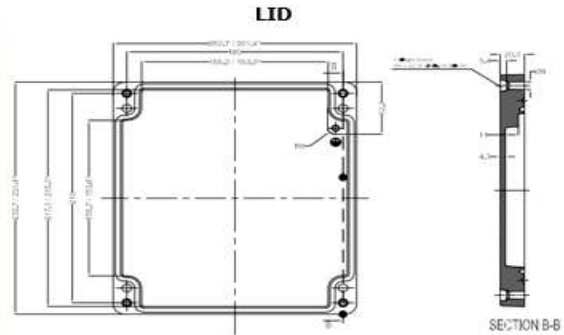
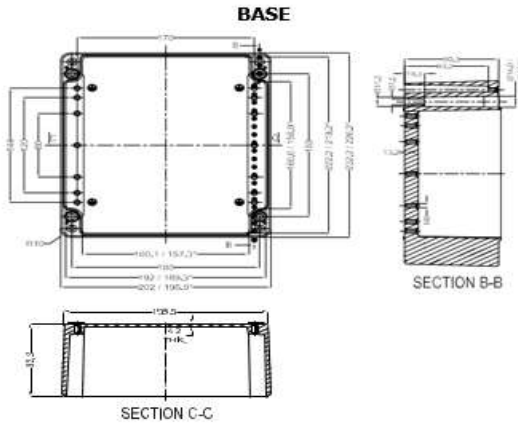
AVAILABLE ON DEMAND	
DIN Rail	TS35
Mounting Plate	Yes

MAXIMUM ALLOWED WATTAGE RATING
6.06 Watts

* Maximum No. of terminals depends on internal fitting



EX-RJ221280



PRODUCT SPECIFICATION -EX	
Dim (LxWxH):	220 X 120 X 80
Model No (Component):	RJ 221280
Model No (Equipment):	Ex – RJ 221280

PRODUCT SPECIFICATION -EX		
Type	Certificate Number ATEX	Certificate Number IECEx
Component (U)	SIRA 18ATEX3261U	IECEx SIR 18.0070U
Equipment (X)	SIRA 19ATEX 3015X	IECEx SIR 19.0020X

TECHNICAL SPECIFICATION	
Material:	Aluminium
Colour:	Similar to RAL 7001 / Grey
Protection:	IP 66, IEC / EN 60529
Gasket:	Silicone
Lid Screw:	Captive Screw - SS1.4301 (A2) – M4
Tightening Torque:	4 Nm
Impact Strength:	Impact Energy > 7 Joules, IEC / EN 60079 - 0
Service Temperature	-60°C to +140°C
Process Control System	ISO 9001 - 2015, IEC 80079 - 34

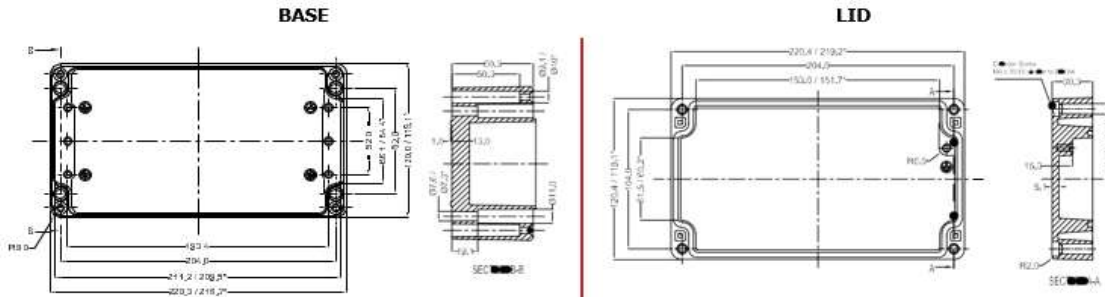
AVAILABLE ON DEMAND	
DIN Rail	TS15
Mounting Plate	Yes

MAXIMUM ALLOWED WATTAGE RATING
14.57 Watts

* Maximum No. of terminals depends on internal fitting



EX-RJ221290



PRODUCT SPECIFICATION -EX	
Dim (LxWxH):	220X120X90
Model No (Component):	RJ 221290
Model No (Equipment):	Ex – RJ 221290

PRODUCT SPECIFICATION -EX		
Type	Certificate Number ATEX	Certificate Number IECEx
Component (U)	SIRA 18ATEX3261U	IECEx SIR 18.0070U
Equipment (X)	SIRA 19ATEX 3015X	IECEx SIR 19.0020X

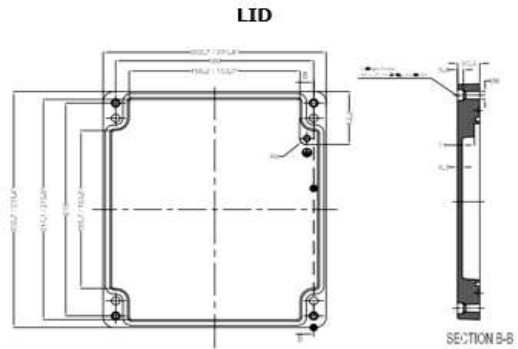
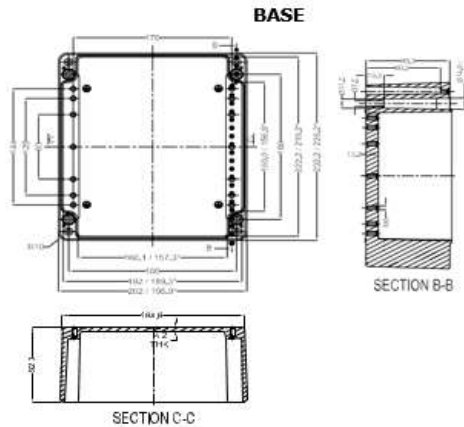
TECHNICAL SPECIFICATION	
Material:	Aluminium
Colour:	Similar to RAL 7001 / Grey
Protection:	IP 66, IEC / EN 60529
Gasket:	Silicone
Lid Screw:	Captive Screw - SS1.4301 (A2) – M6
Tightening Torque:	4 Nm
Impact Strength:	Impact Energy > 7 Joules, IEC / EN 60079 - 0
Service Temperature	-60°C to +140°C
Process Control System	ISO 9001 - 2015, IEC 80079 - 34

AVAILABLE ON DEMAND	
DIN Rail	TS35
Mounting Plate	Yes

MAXIMUM ALLOWED WATTAGE RATING
14.57 Watts

* Maximum No. of terminals depends on internal fitting

EX-RJ232011



PRODUCT SPECIFICATION -EX	
Dim (LxWxH):	230X200X110
Model No (Component):	RJ 232011
Model No (Equipment):	Ex – RJ 232011

PRODUCT SPECIFICATION -EX		
Type	Certificate Number ATEX	Certificate Number IECEx
Component (U)	SIRA 18ATEX3261U	IECEx SIR 18.0070U
Equipment (X)	SIRA 19ATEX 3015X	IECEx SIR 19.0020X

TECHNICAL SPECIFICATION	
Material:	Aluminium
Colour:	Similar to RAL 7001 / Grey
Protection:	IP 66, IEC / EN 60529
Gasket:	Silicone
Lid Screw:	Captive Screw - SS1.4301 (A2) – M6
Tightening Torque:	4 Nm
Impact Strength:	Impact Energy > 7 Joules, IEC / EN 60079 - 0
Service Temperature	-60°C to +140°C
Process Control System	ISO 9001 - 2015, IEC 80079 - 34

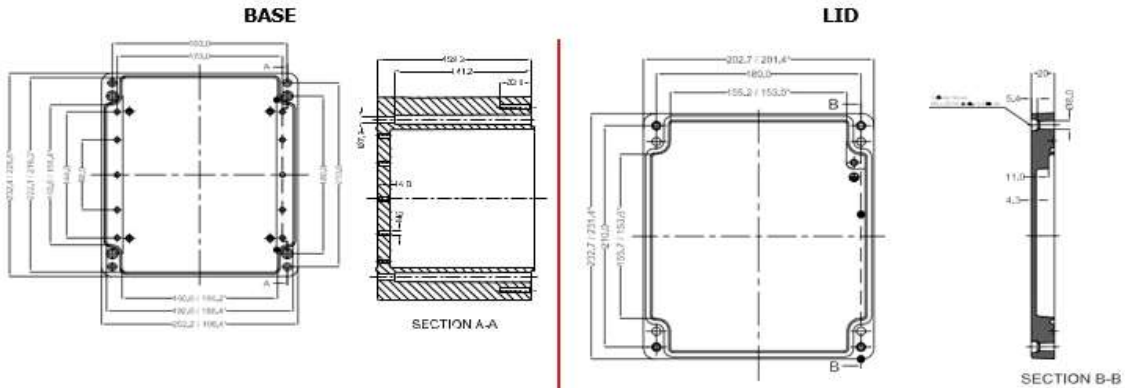
AVAILABLE ON DEMAND	
DIN Rail	TS35
Mounting Plate	Yes

MAXIMUM ALLOWED WATTAGE RATING
9.36 Watts

* Maximum No. of terminals depends on internal fitting



EX-RJ232018



PRODUCT SPECIFICATION -EX	
Dim (LxWxH):	230 X 200 X 180
Model No (Component):	RJ 232018
Model No (Equipment):	Ex – RJ 232018

PRODUCT SPECIFICATION -EX		
Type	Certificate Number ATEX	Certificate Number IECEx
Component (U)	SIRA 18ATEX3261U	IECEx SIR 18.0070U
Equipment (X)	SIRA 19ATEX 3015X	IECEx SIR 19.0020X

TECHNICAL SPECIFICATION	
Material:	Aluminium
Colour:	Similar to RAL 7001 / Grey
Protection:	IP 66, IEC / EN 60529
Gasket:	Silicone
Lid Screw:	Captive Screw - SS1.4301 (A2) – M6
Tightening Torque:	4 Nm
Impact Strength:	Impact Energy > 7 Joules, IEC / EN 60079 - 0
Service Temperature	-60°C to +140°C
Process Control System	ISO 9001 - 2015, IEC 80079 - 34

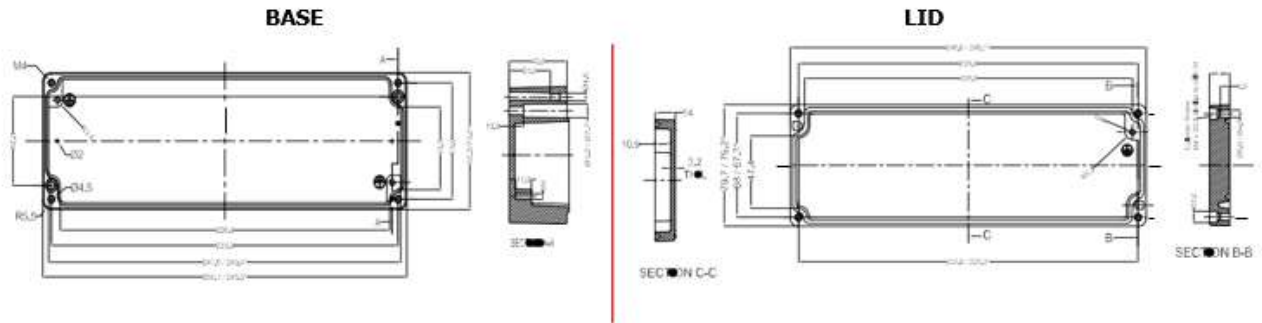
AVAILABLE ON DEMAND	
DIN Rail	TS35
Mounting Plate	Yes

MAXIMUM ALLOWED WATTAGE RATING
10.65 Watts

* Maximum No. of terminals depends on internal fitting



EX-RJ258054



PRODUCT SPECIFICATION -EX	
Dim (LxWxH):	250X80X54
Model No (Component):	RJ 258054
Model No (Equipment):	Ex – RJ 258054

PRODUCT SPECIFICATION -EX		
Type	Certificate Number ATEX	Certificate Number IECEx
Component (U)	SIRA 18ATEX3261U	IECEx SIR 18.0070U
Equipment (X)	SIRA 19ATEX 3015X	IECEx SIR 19.0020X

TECHNICAL SPECIFICATION	
Material:	Aluminium
Colour:	Similar to RAL 7001 / Grey
Protection:	IP 66, IEC / EN 60529
Gasket:	Silicone
Lid Screw:	Captive Screw - SS1.4301 (A2) – M4
Tightening Torque:	4 Nm
Impact Strength:	Impact Energy > 7 Joules, IEC / EN 60079 - 0
Service Temperature	-60°C to +140°C
Process Control System	ISO 9001 - 2015, IEC 80079 - 34

AVAILABLE ON DEMAND	
DIN Rail	TS15
Mounting Plate	Yes

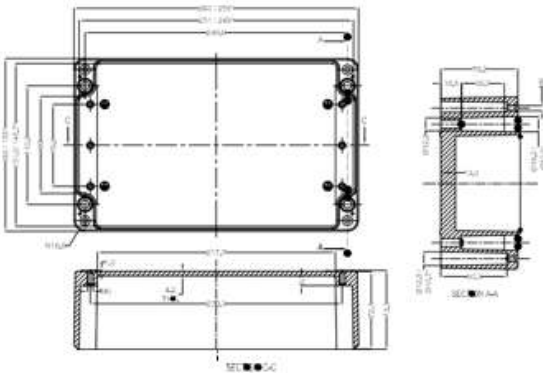
MAXIMUM ALLOWED WATTAGE RATING
3.98 Watts

* Maximum No. of terminals depends on internal fitting

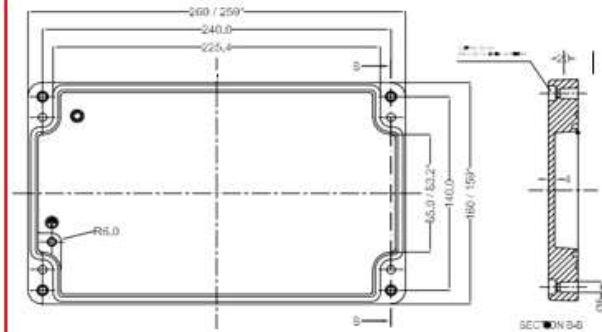
EX-RJ261690



BASE



LID



PRODUCT SPECIFICATION -EX	
Dim (LxWxH):	260X160X90
Model No (Component):	RJ 261690
Model No (Equipment):	Ex – RJ 261690

PRODUCT SPECIFICATION -EX		
Type	Certificate Number ATEX	Certificate Number IECEx
Component (U)	SIRA 18ATEX3261U	IECEx SIR 18.0070U
Equipment (X)	SIRA 19ATEX 3015X	IECEx SIR 19.0020X

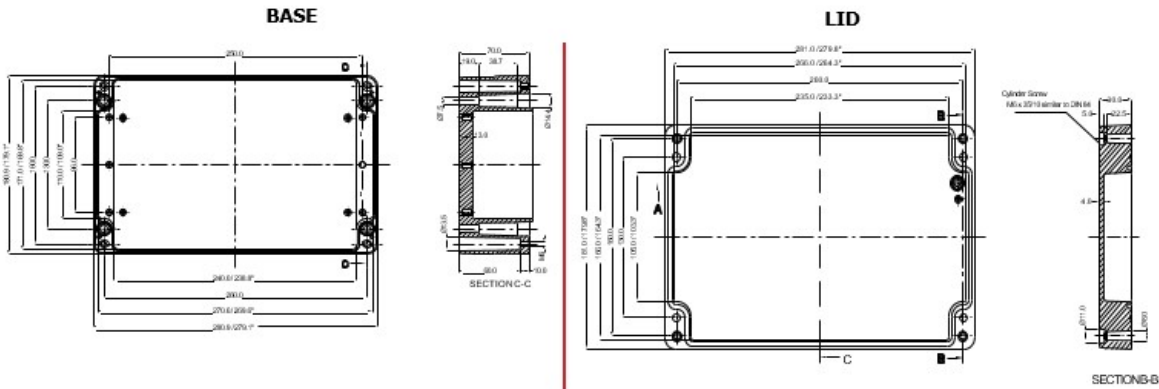
TECHNICAL SPECIFICATION	
Material:	Aluminium
Colour:	Similar to RAL 7001 / Grey
Protection:	IP 66, IEC / EN 60529
Gasket:	Silicone
Lid Screw:	Captive Screw - SS1.4301 (A2) – M6
Tightening Torque:	4 Nm
Impact Strength:	Impact Energy > 7 Joules, IEC / EN 60079 - 0
Service Temperature	-60°C to +140°C
Process Control System	ISO 9001 - 2015, IEC 80079 - 34

AVAILABLE ON DEMAND	
DIN Rail	TS35
Mounting Plate	Yes

MAXIMUM ALLOWED WATTAGE RATING
8.14 Watts

* Maximum No. of terminals depends on internal fitting

EX-RJ281810



PRODUCT SPECIFICATION -EX	
Dim (LxWxH):	280 X 180 X 100
Model No (Component):	RJ 281810
Model No (Equipment):	Ex – RJ 281810

PRODUCT SPECIFICATION -EX		
Type	Certificate Number ATEX	Certificate Number IECEx
Component (U)	SIRA 18ATEX3261U	IECEx SIR 18.0070U
Equipment (X)	SIRA 19ATEX 3015X	IECEx SIR 19.0020X

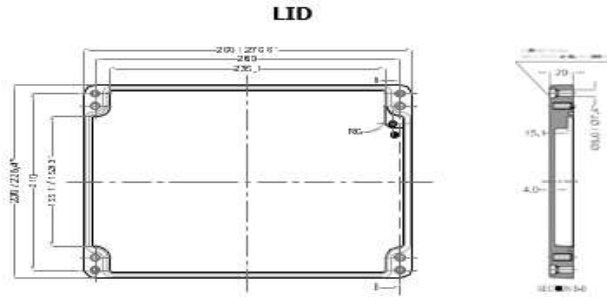
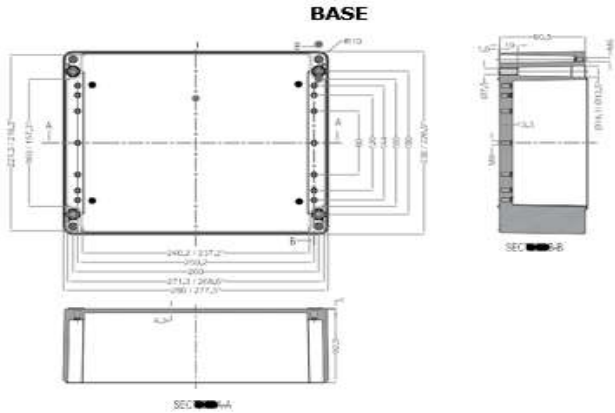
TECHNICAL SPECIFICATION	
Material:	Aluminium
Colour:	Similar to RAL 7001 / Grey
Protection:	IP 66, IEC / EN 60529
Gasket:	Silicone
Lid Screw:	Captive Screw - SS1.4301 (A2) – M6
Tightening Torque:	4 Nm
Impact Strength:	Impact Energy > 7 Joules, IEC / EN 60079 - 0
Service Temperature	-60°C to +140°C
Process Control System	ISO 9001 - 2015, IEC 80079 - 34

AVAILABLE ON DEMAND	
DIN Rail	TS35
Mounting Plate	Yes

MAXIMUM ALLOWED WATTAGE RATING
9.84 Watts

* Maximum No. of terminals depends on internal fitting

EX-RJ282311



PRODUCT SPECIFICATION -EX	
Dim (LxWxH):	280X230X110
Model No (Component):	RJ 282311
Model No (Equipment):	Ex – RJ 282311

PRODUCT SPECIFICATION -EX		
Type	Certificate Number ATEX	Certificate Number IECEx
Component (U)	SIRA 18ATEX3261U	IECEx SIR 18.0070U
Equipment (X)	SIRA 19ATEX 3015X	IECEx SIR 19.0020X

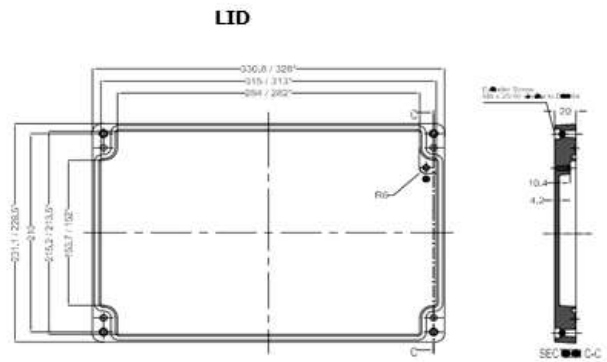
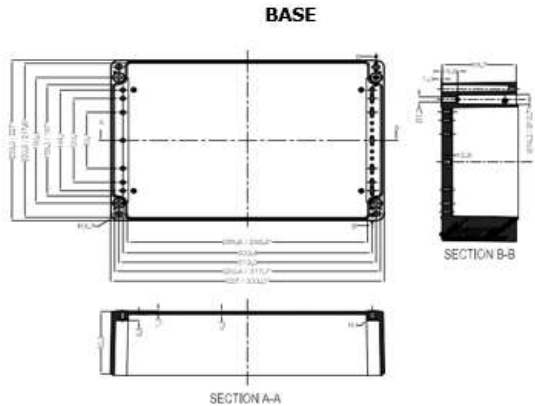
TECHNICAL SPECIFICATION	
Material:	Aluminium
Colour:	Similar to RAL 7001 / Grey
Protection:	IP 66, IEC / EN 60529
Gasket:	Silicone
Lid Screw:	Captive Screw - SS1.4301 (A2) – M6
Tightening Torque:	4 Nm
Impact Strength:	Impact Energy > 7 Joules, IEC / EN 60079 - 0
Service Temperature	-60°C to +140°C
Process Control System	ISO 9001 - 2015, IEC 80079 - 34

AVAILABLE ON DEMAND	
DIN Rail	TS35
Mounting Plate	Yes

MAXIMUM ALLOWED WATTAGE RATING
11.71 Watts

* Maximum No. of terminals depends on internal fitting

EX-RJ332311



PRODUCT SPECIFICATION -EX	
Dim (LxWxH):	330X230X110
Model No (Component):	RJ 332311
Model No (Equipment):	Ex – RJ 332311

PRODUCT SPECIFICATION -EX		
Type	Certificate Number ATEX	Certificate Number IECEx
Component (U)	SIRA 18ATEX3261U	IECEx SIR 18.0070U
Equipment (X)	SIRA 19ATEX 3015X	IECEx SIR 19.0020X

TECHNICAL SPECIFICATION	
Material:	Aluminium
Colour:	Similar to RAL 7001 / Grey
Protection:	IP 66, IEC / EN 60529
Gasket:	Silicone
Lid Screw:	Captive Screw - SS1.4301 (A2) – M6
Tightening Torque:	4 Nm
Impact Strength:	Impact Energy > 7 Joules, IEC / EN 60079 - 0
Service Temperature	-60°C to +140°C
Process Control System	ISO 9001 - 2015, IEC 80079 - 34

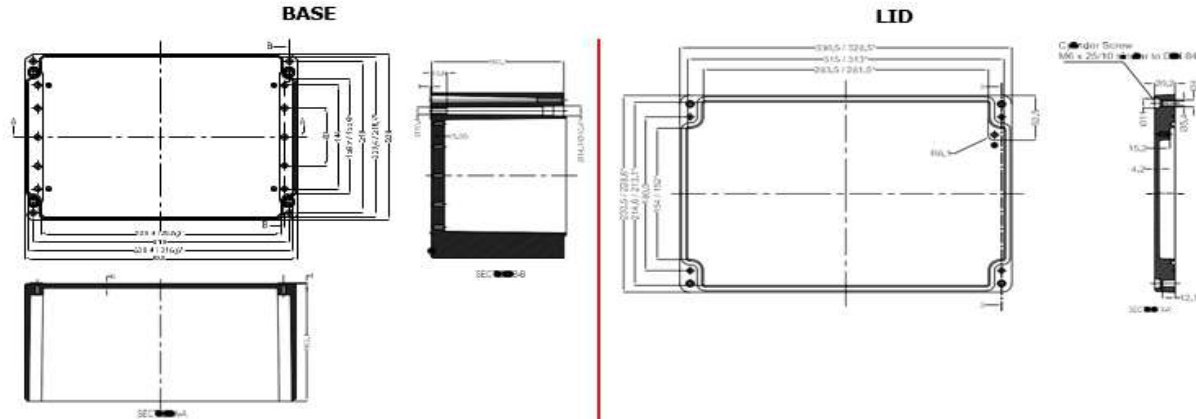
AVAILABLE ON DEMAND	
DIN Rail	TS35
Mounting Plate	Yes

MAXIMUM ALLOWED WATTAGE RATING
13.41 Watts

* Maximum No. of terminals depends on internal fitting



EX-RJ332318



PRODUCT SPECIFICATION -EX	
Dim (LxWxH):	330 X 230 X 180
Model No (Component):	RJ 332318
Model No (Equipment):	Ex – RJ 332318

PRODUCT SPECIFICATION -EX		
Type	Certificate Number ATEX	Certificate Number IECEx
Component (U)	SIRA 18ATEX3261U	IECEx SIR 18.0070U
Equipment (X)	SIRA 19ATEX 3015X	IECEx SIR 19.0020X

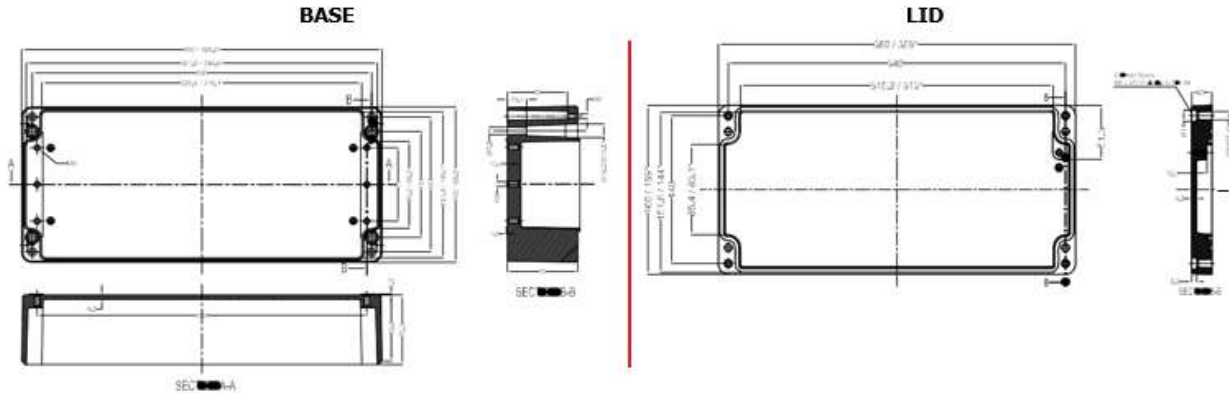
TECHNICAL SPECIFICATION	
Material:	Aluminium
Colour:	Similar to RAL 7001 / Grey
Protection:	IP 66, IEC / EN 60529
Gasket:	Silicone
Lid Screw:	Captive Screw - SS1.4301 (A2) – M6
Tightening Torque:	4 Nm
Impact Strength:	Impact Energy > 7 Joules, IEC / EN 60079 - 0
Service Temperature	-60°C to +140°C
Process Control System	ISO 9001 - 2015, IEC 80079 - 34

AVAILABLE ON DEMAND	
DIN Rail	TS35
Mounting Plate	Yes

MAXIMUM ALLOWED WATTAGE RATING
14.37 Watts

* Maximum No. of terminals depends on internal fitting

EX-RJ361690



PRODUCT SPECIFICATION -EX	
Dim (LxWxH):	360X160X90
Model No (Component):	RJ 361690
Model No (Equipment):	Ex – RJ 361690

PRODUCT SPECIFICATION -EX		
Type	Certificate Number ATEX	Certificate Number IECEx
Component (U)	SIRA 18ATEX3261U	IECEx SIR 18.0070U
Equipment (X)	SIRA 19ATEX 3015X	IECEx SIR 19.0020X

TECHNICAL SPECIFICATION	
Material:	Aluminium
Colour:	Similar to RAL 7001 / Grey
Protection:	IP 66, IEC / EN 60529
Gasket:	Silicone
Lid Screw:	Captive Screw - SS1.4301 (A2) – M6
Tightening Torque:	4 Nm
Impact Strength:	Impact Energy > 7 Joules, IEC / EN 60079 - 0
Service Temperature	-60°C to +140°C
Process Control System	ISO 9001 - 2015, IEC 80079 - 34

AVAILABLE ON DEMAND	
DIN Rail	TS35
Mounting Plate	Yes

MAXIMUM ALLOWED WATTAGE RATING
12.79 Watts

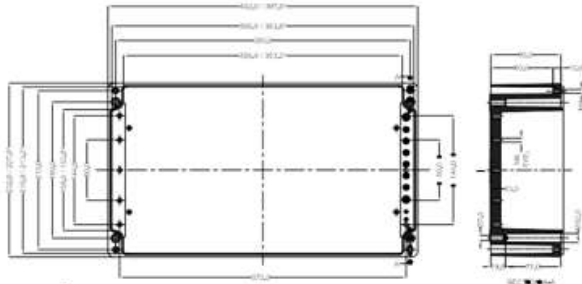
* Maximum No. of terminals depends on internal fitting



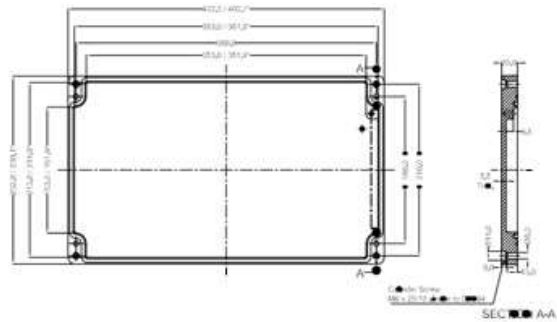
EX-RJ402311



BASE



LID



PRODUCT SPECIFICATION -EX	
Dim (LxWxH):	400 X 230 X 110
Model No (Component):	RJ 402311
Model No (Equipment):	Ex – RJ 402311

PRODUCT SPECIFICATION -EX		
Type	Certificate Number ATEX	Certificate Number IECEx
Component (U)	SIRA 18ATEX3261U	IECEx SIR 18.0070U
Equipment (X)	SIRA 19ATEX 3015X	IECEx SIR 19.0020X

TECHNICAL SPECIFICATION	
Material:	Aluminium
Colour:	Similar to RAL 7001 / Grey
Protection:	IP 66, IEC / EN 60529
Gasket:	Silicone
Lid Screw:	Captive Screw - SS1.4301 (A2) – M6
Tightening Torque:	4 Nm
Impact Strength:	Impact Energy > 7 Joules, IEC / EN 60079 - 0
Service Temperature	-60°C to +140°C
Process Control System	ISO 9001 - 2015, IEC 80079 - 34

AVAILABLE ON DEMAND	
DIN Rail	TS35
Mounting Plate	Yes

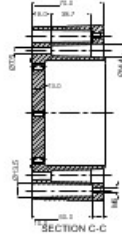
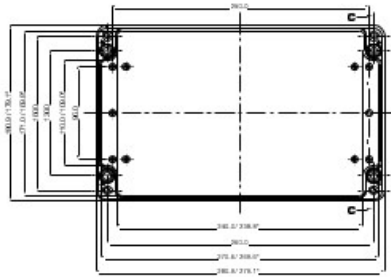
MAXIMUM ALLOWED WATTAGE RATING
15.81 Watts

* Maximum No. of terminals depends on internal fitting

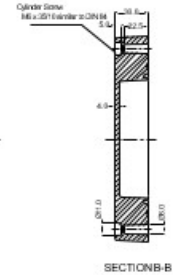
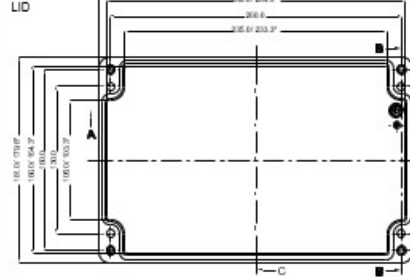
EX-RJ403111



BASE



LID



PRODUCT SPECIFICATION -EX	
Dim (LxWxH):	400 X 310 X 110
Model No (Component):	RJ 403111
Model No (Equipment):	Ex – RJ 403111

PRODUCT SPECIFICATION -EX		
Type	Certificate Number ATEX	Certificate Number IECEx
Component (U)	SIRA 18ATEX3261U	IECEx SIR 18.0070U
Equipment (X)	SIRA 19ATEX 3015X	IECEx SIR 19.0020X

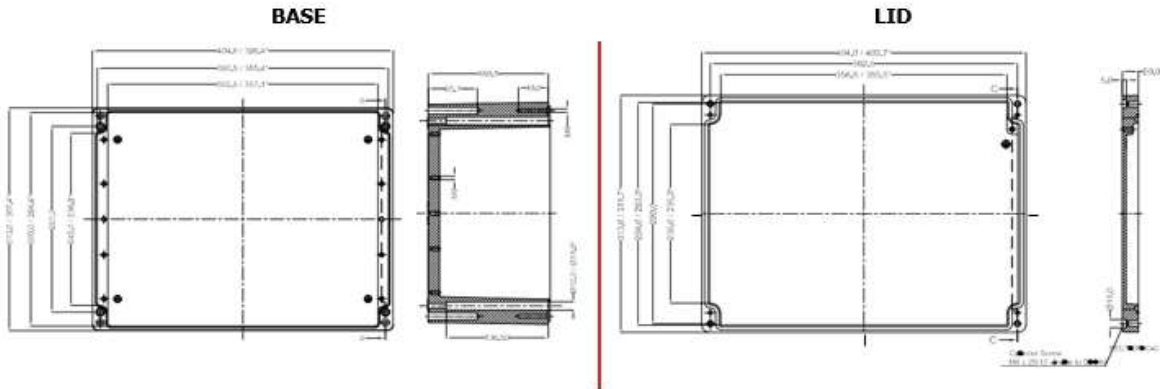
TECHNICAL SPECIFICATION	
Material:	Aluminium
Colour:	Similar to RAL 7001 / Grey
Protection:	IP 66, IEC / EN 60529
Gasket:	Silicone
Lid Screw:	Captive Screw - SS1.4301 (A2) – M6
Tightening Torque:	4 Nm
Impact Strength:	Impact Energy > 7 Joules, IEC / EN 60079 - 0
Service Temperature	-60°C to +140°C
Process Control System	ISO 9001 - 2015, IEC 80079 - 34

AVAILABLE ON DEMAND	
DIN Rail	TS35
Mounting Plate	Yes

MAXIMUM ALLOWED WATTAGE RATING
17.89 Watts

* Maximum No. of terminals depends on internal fitting

EX-RJ403118



PRODUCT SPECIFICATION -EX	
Dim (LxWxH):	400 X 310 X 180
Model No (Component):	RJ 403118
Model No (Equipment):	Ex – RJ 403118

PRODUCT SPECIFICATION -EX		
Type	Certificate Number ATEX	Certificate Number IECEx
Component (U)	SIRA 18ATEX3261U	IECEx SIR 18.0070U
Equipment (X)	SIRA 19ATEX 3015X	IECEx SIR 19.0020X

TECHNICAL SPECIFICATION	
Material:	Aluminium
Colour:	Similar to RAL 7001 / Grey
Protection:	IP 66, IEC / EN 60529
Gasket:	Silicone
Lid Screw:	Captive Screw - SS1.4301 (A2) – M6
Tightening Torque:	4 Nm
Impact Strength:	Impact Energy > 7 Joules, IEC / EN 60079 - 0
Service Temperature	-60°C to +140°C
Process Control System	ISO 9001 - 2015, IEC 80079 - 34

AVAILABLE ON DEMAND	
DIN Rail	TS35
Mounting Plate	Yes

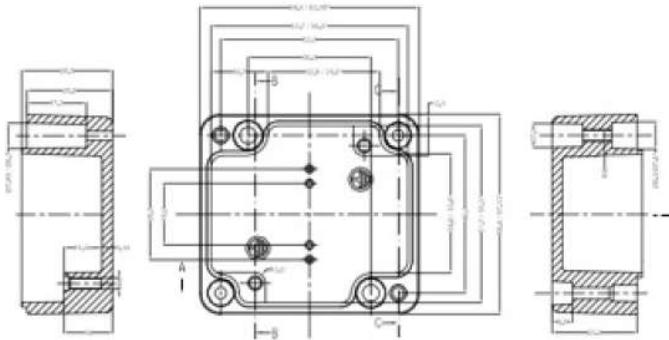
MAXIMUM ALLOWED WATTAGE RATING
18.71 Watts

* Maximum No. of terminals depends on internal fitting

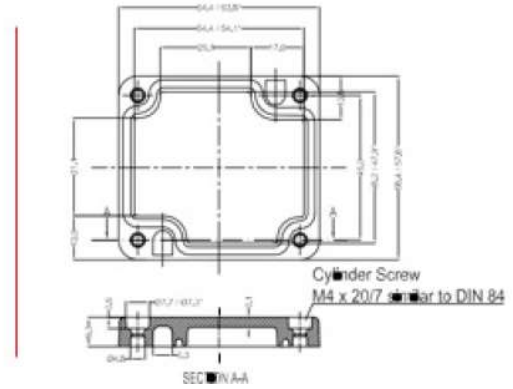
EX-RJ586434



BASE



LID



PRODUCT SPECIFICATION -EX	
Dim (LxWxH):	58X64X34
Model No (Component):	RJ 586434
Model No (Equipment):	Ex – RJ 586434

PRODUCT SPECIFICATION -EX		
Type	Certificate Number ATEX	Certificate Number IECEx
Component (U)	SIRA 18ATEX3261U	IECEx SIR 18.0070U
Equipment (X)	SIRA 19ATEX 3015X	IECEx SIR 19.0020X

TECHNICAL SPECIFICATION	
Material:	Aluminium
Colour:	Similar to RAL 7001 / Grey
Protection:	IP 66, IEC / EN 60529
Gasket:	Silicone
Lid Screw:	Captive Screw - SS1.4301 (A2) – M4
Tightening Torque:	4 Nm
Impact Strength:	Impact Energy > 7 Joules, IEC / EN 60079 - 0
Service Temperature	-60°C to +140°C
Process Control System	ISO 9001 - 2015, IEC 80079 - 34

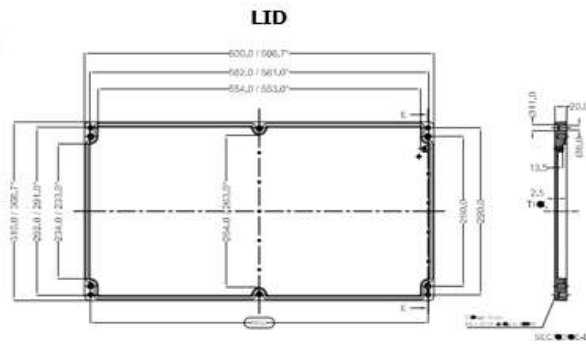
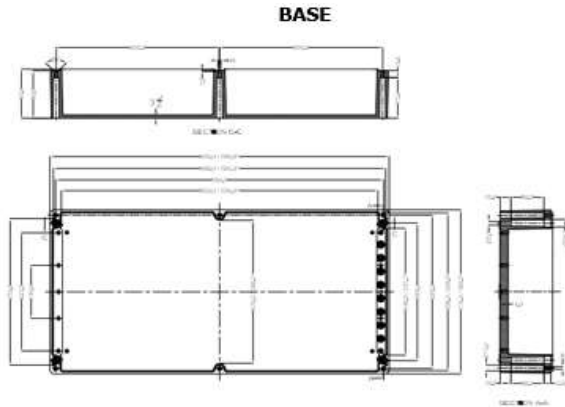
AVAILABLE ON DEMAND	
DIN Rail	TS15
Mounting Plate	Yes

MAXIMUM ALLOWED WATTAGE RATING
1.69 Watts

* Maximum No. of terminals depends on internal fitting



EX-RJ603111



PRODUCT SPECIFICATION -EX	
Dim (LxWxH):	600 X 310 X 110
Model No (Component):	RJ 603111
Model No (Equipment):	Ex – RJ 603111

PRODUCT SPECIFICATION -EX		
Type	Certificate Number ATEX	Certificate Number IECEx
Component (U)	SIRA 18ATEX3261U	IECEx SIR 18.0070U
Equipment (X)	SIRA 19ATEX 3015X	IECEx SIR 19.0020X

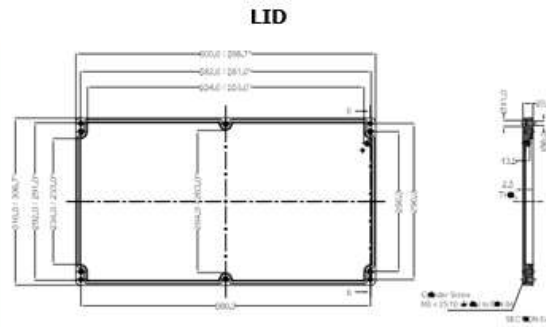
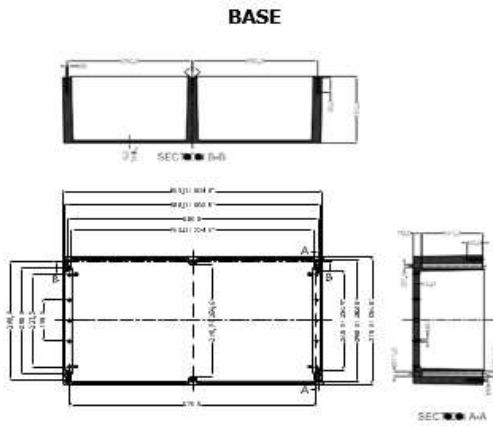
TECHNICAL SPECIFICATION	
Material:	Aluminium
Colour:	Similar to RAL 7001 / Grey
Protection:	IP 66, IEC / EN 60529
Gasket:	Silicone
Lid Screw:	Captive Screw - SS1.4301 (A2) – M6
Tightening Torque:	4 Nm
Impact Strength:	Impact Energy > 7 Joules, IEC / EN 60079 - 0
Service Temperature	-60°C to +140°C
Process Control System	ISO 9001 - 2015, IEC 80079 - 34

AVAILABLE ON DEMAND	
DIN Rail	TS35
Mounting Plate	Yes

MAXIMUM ALLOWED WATTAGE RATING
24.82 Watts

* Maximum No. of terminals depends on internal fitting

EX-RJ603118



PRODUCT SPECIFICATION -EX	
Dim (LxWxH):	600 X 310 X 180
Model No (Component):	RJ 603118
Model No (Equipment):	Ex – RJ 603118

PRODUCT SPECIFICATION -EX		
Type	Certificate Number ATEX	Certificate Number IECEx
Component (U)	SIRA 18ATEX3261U	IECEx SIR 18.0070U
Equipment (X)	SIRA 19ATEX 3015X	IECEx SIR 19.0020X

TECHNICAL SPECIFICATION	
Material:	Aluminium
Colour:	Similar to RAL 7001 / Grey
Protection:	IP 66, IEC / EN 60529
Gasket:	Silicone
Lid Screw:	Captive Screw - SS1.4301 (A2) – M6
Tightening Torque:	4 Nm
Impact Strength:	Impact Energy > 7 Joules, IEC / EN 60079 - 0
Service Temperature	-60°C to +140°C
Process Control System	ISO 9001 - 2015, IEC 80079 - 34

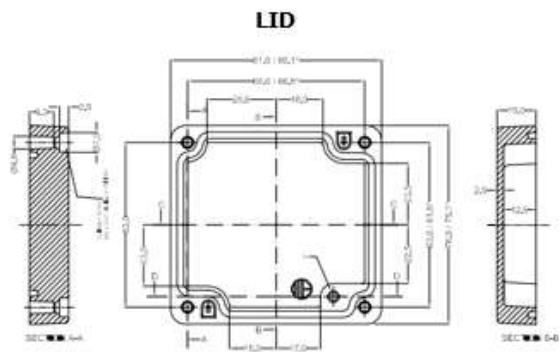
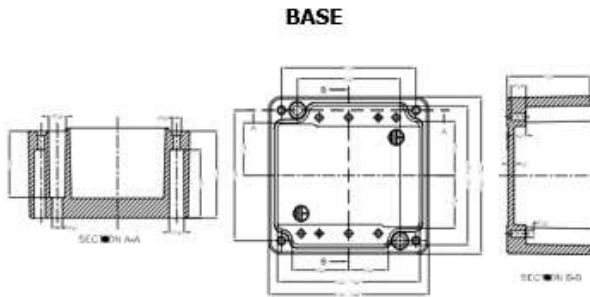
AVAILABLE ON DEMAND	
DIN Rail	TS35
Mounting Plate	Yes

MAXIMUM ALLOWED WATTAGE RATING
32.75 Watts

* Maximum No. of terminals depends on internal fitting



EX-RJ758057



PRODUCT SPECIFICATION -EX	
Dim (LxWxH):	75X80X57
Model No (Component):	RJ 758057
Model No (Equipment):	Ex – RJ 758057

PRODUCT SPECIFICATION -EX		
Type	Certificate Number ATEX	Certificate Number IECEx
Component (U)	SIRA 18ATEX3261U	IECEx SIR 18.0070U
Equipment (X)	SIRA 19ATEX 3015X	IECEx SIR 19.0020X

TECHNICAL SPECIFICATION	
Material:	Aluminium
Colour:	Similar to RAL 7001 / Grey
Protection:	IP 66, IEC / EN 60529
Gasket:	Silicone
Lid Screw:	Captive Screw - SS1.4301 (A2) – M4
Tightening Torque:	4 Nm
Impact Strength:	Impact Energy > 7 Joules, IEC / EN 60079 - 0
Service Temperature	-60°C to +140°C
Process Control System	ISO 9001 - 2015, IEC 80079 - 34

AVAILABLE ON DEMAND	
DIN Rail	TS15
Mounting Plate	Yes

MAXIMUM ALLOWED WATTAGE RATING
2.28 Watts

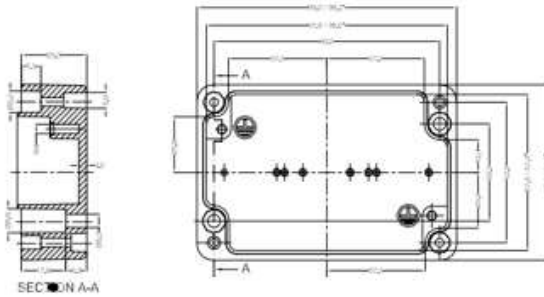
* Maximum No. of terminals depends on internal fitting



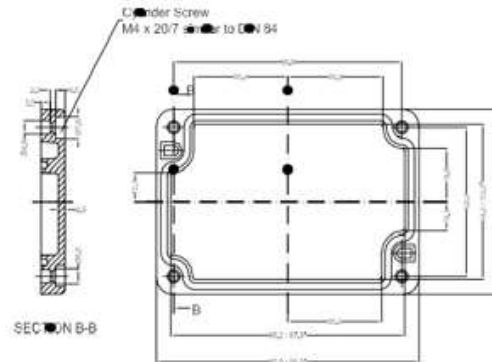
EX-RJ986434



BASE



LID



PRODUCT SPECIFICATION -EX	
Dim (LxWxH):	98X64X34
Model No (Component):	RJ 986434
Model No (Equipment):	Ex – RJ 986434

PRODUCT SPECIFICATION -EX		
Type	Certificate Number ATEX	Certificate Number IECEx
Component (U)	SIRA 18ATEX3261U	IECEx SIR 18.0070U
Equipment (X)	SIRA 19ATEX 3015X	IECEx SIR 19.0020X

TECHNICAL SPECIFICATION	
Material:	Aluminium
Colour:	Similar to RAL 7001 / Grey
Protection:	IP 66, IEC / EN 60529
Gasket:	Silicone
Lid Screw:	Captive Screw - SS1.4301 (A2) – M4
Tightening Torque:	4 Nm
Impact Strength:	Impact Energy > 7 Joules, IEC / EN 60079 - 0
Service Temperature	-60°C to +140°C
Process Control System	ISO 9001 - 2015, IEC 80079 - 34

AVAILABLE ON DEMAND	
DIN Rail	TS15
Mounting Plate	Yes

MAXIMUM ALLOWED WATTAGE RATING
2.11 Watts

* Maximum No. of terminals depends on internal fitting