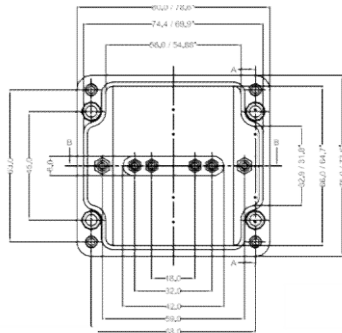
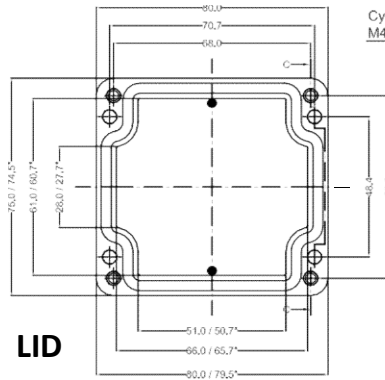
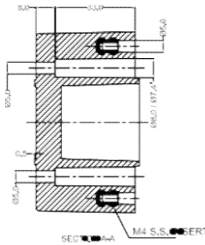


GRJ01

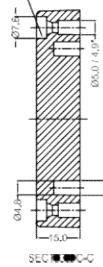


BASE



LID

Cylinder Screw
M4 x 24/7 similar to DIN 84



PRODUCT SPECIFICATION - STANDARD

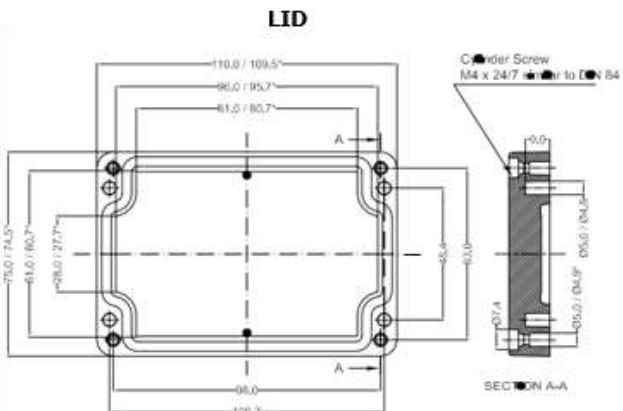
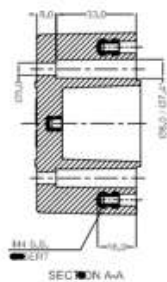
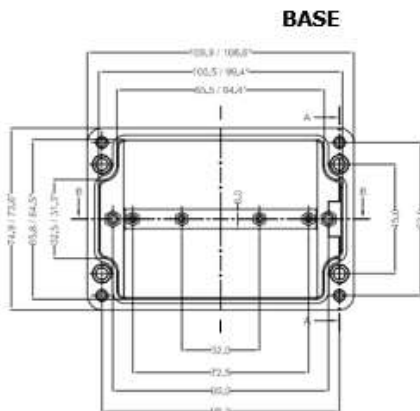
| | |
|--------------|--------------|
| Dim (LxWxH): | 80 x 75 x 55 |
| Model No: | GRJ01 |
| Order No : | GRJ01 |

| TECHNICAL SPECIFICATION | GREY | BLACK |
|-------------------------|--|---|
| Colour | RAL 7000 | Similar to RAL 9011 |
| Material | Glass Fiber Reinforced Polyester | Glass Reinforced Polyester - Graphite Added |
| Gasket: | Neoprene | Silicone |
| Surface Resistance | > 10 ¹² Ohm | < 10 ⁹ Ohm |
| Service Temperature | - 40°C to +80°C | -60°C to +110°C |
| Lid Screw | Captive Screw - SS1.4301 (A2) - M4 | |
| Tightening Torque: | 1 to 2 Nm | |
| Protection | IP 66, EN 60529 | |
| Impact Strength | Impact Energy > 7 Joules, EN 60079 | |
| Flammability | Self Extinguishing, UL 94 V0 | |
| Process Control System | ISO 9001 - 2015, IEC 80079 - 34 - 2011 | |

AVAILABLE ON DEMAND

| | |
|----------------------------|------|
| DIN Rail | TS15 |
| Mounting Plate | Yes |
| External Mounting Brackets | Yes |
| Hinges | No |
| Alter Lid Screw | Yes |
| Sealable Lid screw | Yes |

GRJ02



PRODUCT SPECIFICATION - STANDARD

| | |
|--------------|---------------|
| Dim (LxWxH): | 110 x 75 x 55 |
| Model No: | GRJ02 |
| Order No : | GRJ02 |

| TECHNICAL SPECIFICATION | GREY | BLACK |
|-------------------------|--|---|
| Colour | RAL 7000 | Similar to RAL 9011 |
| Material | Glass Fiber Reinforced Polyester | Glass Reinforced Polyester - Graphite Added |
| Gasket: | Neoprene | Silicone |
| Surface Resistance | > 10 ¹² Ohm | < 10 ⁹ Ohm |
| Service Temperature | - 40°C to +80°C | -60°C to +110°C |
| Lid Screw | Captive Screw - SS1.4301 (A2) - M4 | |
| Tightening Torque: | 1 to 2 Nm | |
| Protection | IP 66, EN 60529 | |
| Impact Strength | Impact Energy > 7 Joules, EN 60079 | |
| Flammability | Self Extinguishing, UL 94 V0 | |
| Process Control System | ISO 9001 - 2015, IEC 80079 - 34 - 2011 | |

AVAILABLE ON DEMAND

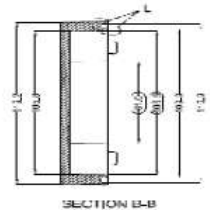
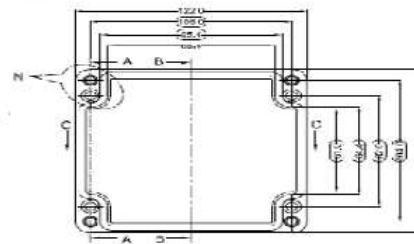
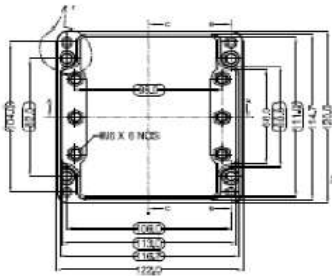
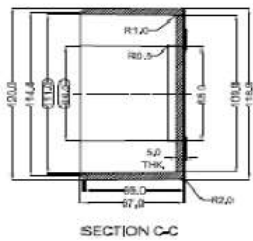
| | |
|----------------------------|------|
| DIN Rail | TS15 |
| Mounting Plate | Yes |
| External Mounting Brackets | Yes |
| Hinges | No |
| Alter Lid Screw | Yes |
| Sealable Lid screw | Yes |

GRJ03



BASE

LID



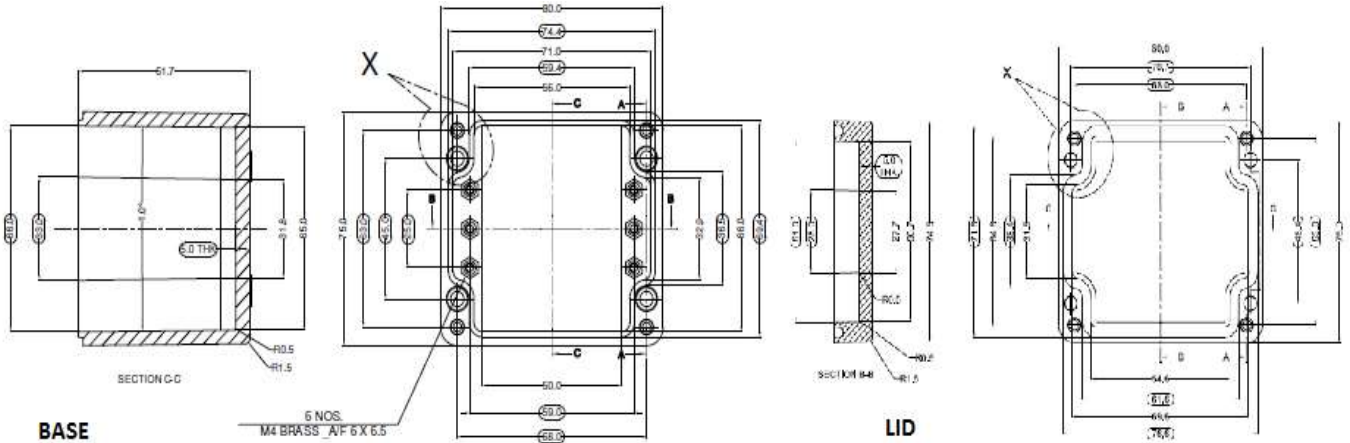
PRODUCT SPECIFICATION - STANDARD

| | |
|--------------|----------------|
| Dim (LxWxH): | 122 x 120 x 90 |
| Model No: | GRJ03 |
| Order No : | GRJ03 |

| TECHNICAL SPECIFICATION | GREY | BLACK |
|-------------------------|--|---|
| Colour | RAL 7000 | Similar to RAL 9011 |
| Material | Glass Fiber Reinforced Polyester | Glass Reinforced Polyester - Graphite Added |
| Gasket: | Neoprene | Silicone |
| Surface Resistance | > 10 ¹² Ohm | < 10 ⁹ Ohm |
| Service Temperature | - 40°C to +80°C | -60°C to +110°C |
| Lid Screw | Captive Screw - SS1.4301 (A2) - M4 | |
| Tightening Torque: | 1 to 2 Nm | |
| Protection | IP 66, EN 60529 | |
| Impact Strength | Impact Energy > 7 Joules, EN 60079 | |
| Flammability | Self Extinguishing, UL 94 V0 | |
| Process Control System | ISO 9001 - 2015, IEC 80079 - 34 - 2011 | |

| AVAILABLE ON DEMAND | |
|----------------------------|------|
| DIN Rail | TS35 |
| Mounting Plate | Yes |
| External Mounting Brackets | Yes |
| Hinges | No |
| Alter Lid Screw | Yes |
| Sealable Lid screw | Yes |

GRJ04



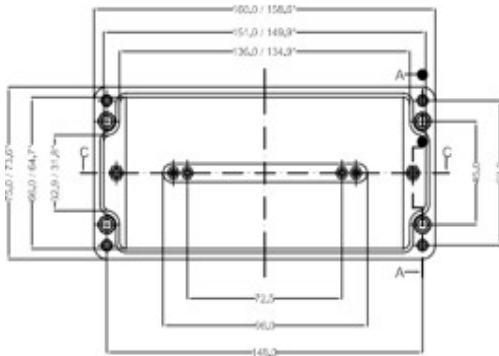
PRODUCT SPECIFICATION - STANDARD

| | |
|--------------|--------------|
| Dim (LxWxH): | 80 x 75 x 75 |
| Model No: | GRJ04 |
| Order No : | GRJ04 |

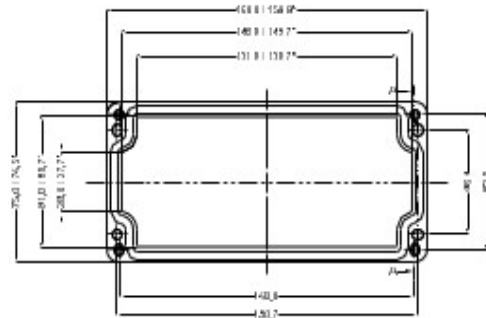
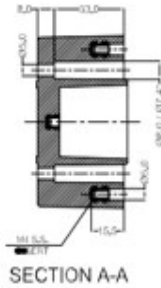
| TECHNICAL SPECIFICATION | GREY | BLACK |
|-------------------------|--|---|
| Colour | RAL 7000 | Similar to RAL 9011 |
| Material | Glass Fiber Reinforced Polyester | Glass Reinforced Polyester - Graphite Added |
| Gasket: | Neoprene | Silicone |
| Surface Resistance | > 10 ¹² Ohm | < 10 ⁹ Ohm |
| Service Temperature | - 40°C to +80°C | -60°C to +110°C |
| Lid Screw | Captive Screw - SS1.4301 (A2) - M4 | |
| Tightening Torque: | 1 to 2 Nm | |
| Protection | IP 66, EN 60529 | |
| Impact Strength | Impact Energy > 7 Joules, EN 60079 | |
| Flammability | Self Extinguishing, UL 94 V0 | |
| Process Control System | ISO 9001 - 2015, IEC 80079 - 34 - 2011 | |

| AVAILABLE ON DEMAND | |
|----------------------------|------|
| DIN Rail | TS15 |
| Mounting Plate | Yes |
| External Mounting Brackets | Yes |
| Hinges | No |
| Alter Lid Screw | Yes |
| Sealable Lid screw | Yes |

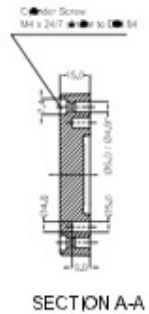
GRJ05



BASE



LID



PRODUCT SPECIFICATION - STANDARD

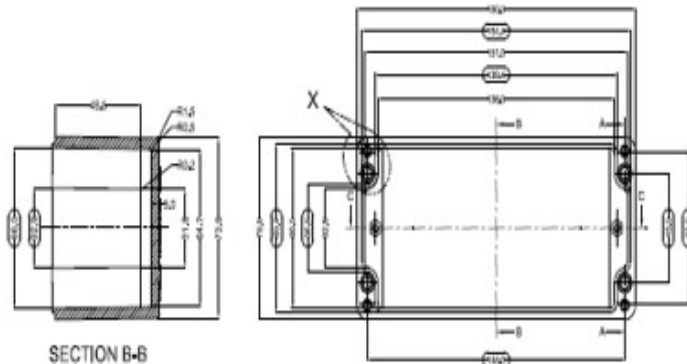
| | |
|--------------|---------------|
| Dim (LxWxH): | 160 x 75 x 55 |
| Model No: | GRJ05 |
| Order No : | GRJ05 |

| TECHNICAL SPECIFICATION | GREY | BLACK |
|-------------------------|--|---|
| Colour | RAL 7000 | Similar to RAL 9011 |
| Material | Glass Fiber Reinforced Polyester | Glass Reinforced Polyester - Graphite Added |
| Gasket: | Neoprene | Silicone |
| Surface Resistance | > 10 ¹² Ohm | < 10 ⁹ Ohm |
| Service Temperature | - 40°C to +80°C | -60°C to +110°C |
| Lid Screw | Captive Screw - SS1.4301 (A2) - M4 | |
| Tightening Torque: | 1 to 2 Nm | |
| Protection | IP 66, EN 60529 | |
| Impact Strength | Impact Energy > 7 Joules, EN 60079 | |
| Flammability | Self Extinguishing, UL 94 V0 | |
| Process Control System | ISO 9001 - 2015, IEC 80079 - 34 - 2011 | |

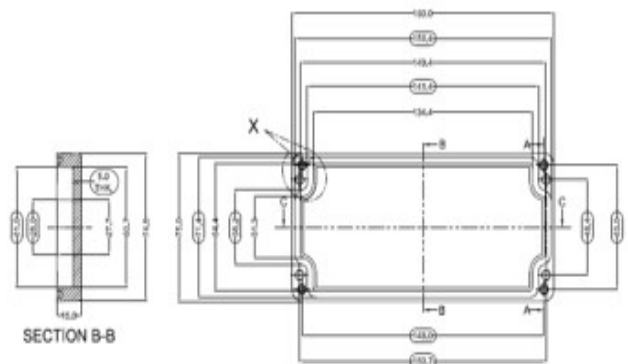
AVAILABLE ON DEMAND

| | |
|----------------------------|------|
| DIN Rail | TS15 |
| Mounting Plate | Yes |
| External Mounting Brackets | Yes |
| Hinges | No |
| Alter Lid Screw | Yes |
| Sealable Lid screw | Yes |

GRJ06



BASE



LID

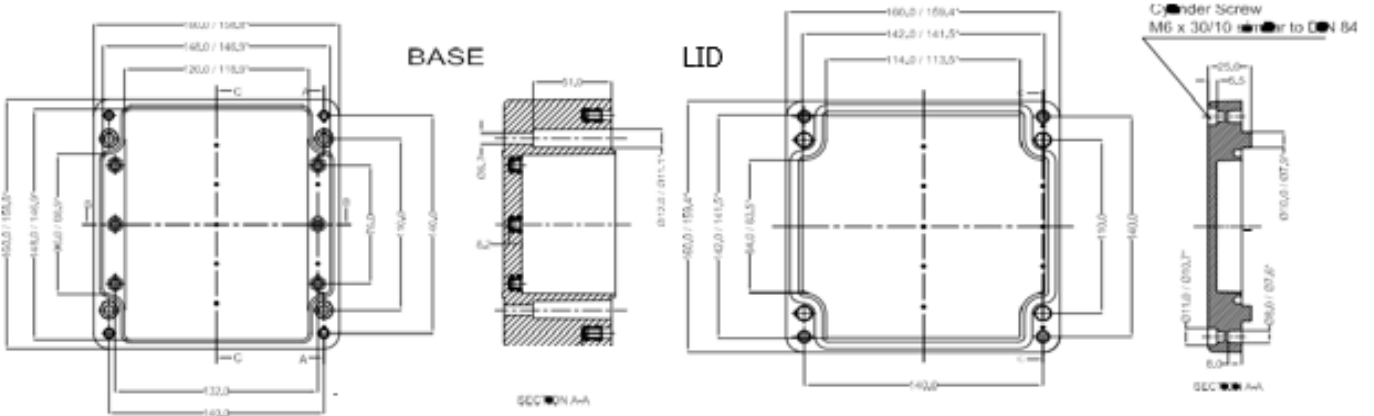
PRODUCT SPECIFICATION - STANDARD

| | |
|--------------|---------------|
| Dim (LxWxH): | 160 x 75 x 75 |
| Model No: | GRJ06 |
| Order No : | GRJ06 |

| TECHNICAL SPECIFICATION | GREY | BLACK |
|-------------------------|--|---|
| Colour | RAL 7000 | Similar to RAL 9011 |
| Material | Glass Fiber Reinforced Polyester | Glass Reinforced Polyester - Graphite Added |
| Gasket: | Neoprene | Silicone |
| Surface Resistance | > 10 ¹² Ohm | < 10 ⁹ Ohm |
| Service Temperature | - 40°C to +80°C | -60°C to +110°C |
| Lid Screw | Captive Screw - SS1.4301 (A2) - M4 | |
| Tightening Torque: | 1 to 2 Nm | |
| Protection | IP 66, EN 60529 | |
| Impact Strength | Impact Energy > 7 Joules, EN 60079 | |
| Flammability | Self Extinguishing, UL 94 V0 | |
| Process Control System | ISO 9001 - 2015, IEC 80079 - 34 - 2011 | |

| AVAILABLE ON DEMAND | |
|----------------------------|------|
| DIN Rail | TS15 |
| Mounting Plate | Yes |
| External Mounting Brackets | Yes |
| Hinges | No |
| Alter Lid Screw | Yes |
| Sealable Lid screw | Yes |

GRJ07



PRODUCT SPECIFICATION - STANDARD

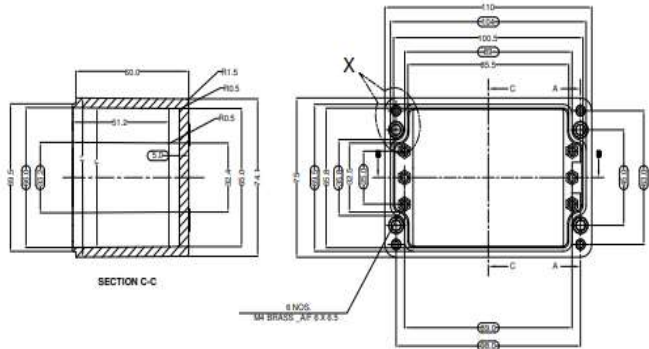
| | |
|--------------|---------------|
| Dim (LxWxH): | 160x 160 x 90 |
| Model No: | GRJ07 |
| Order No: | GRJ07 |

| TECHNICAL SPECIFICATION | GREY | BLACK |
|-------------------------|--|---|
| Colour | RAL 7000 | Similar to RAL 9011 |
| Material | Glass Fiber Reinforced Polyester | Glass Reinforced Polyester - Graphite Added |
| Gasket: | Neoprene | Silicone |
| Surface Resistance | > 10 ¹² Ohm | < 10 ⁹ Ohm |
| Service Temperature | - 40°C to +80°C | -60°C to +110°C |
| Lid Screw | Captive Screw - SS1.4301 (A2) - M4 | |
| Tightening Torque: | 1 to 2 Nm | |
| Protection | IP 66, EN 60529 | |
| Impact Strength | Impact Energy > 7 Joules, EN 60079 | |
| Flammability | Self Extinguishing, UL 94 V0 | |
| Process Control System | ISO 9001 - 2015, IEC 80079 - 34 - 2011 | |

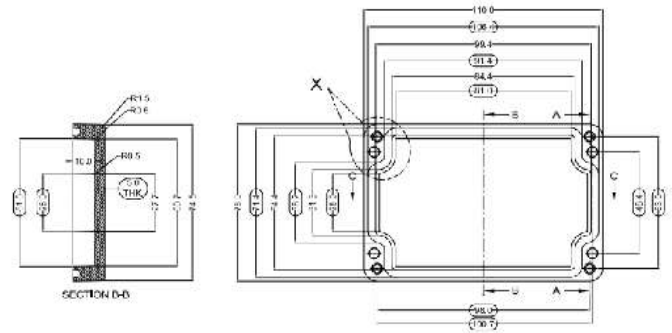
AVAILABLE ON DEMAND

| | |
|----------------------------|------|
| DIN Rail | TS35 |
| Mounting Plate | Yes |
| External Mounting Brackets | Yes |
| Hinges | No |
| Alter Lid Screw | Yes |
| Sealable Lid screw | Yes |

GRJ08



BASE



LID

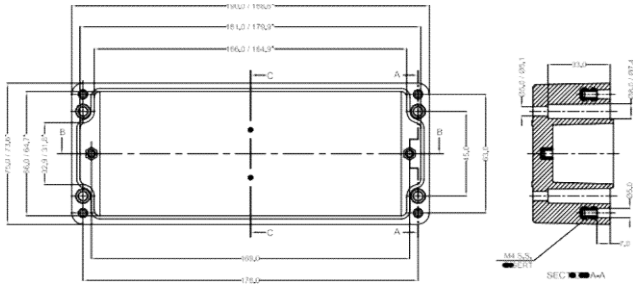
PRODUCT SPECIFICATION - STANDARD

| | |
|--------------|---------------|
| Dim (LxWxH): | 110 x 75 x 75 |
| Model No: | GRJ08 |
| Order No : | GRJ08 |

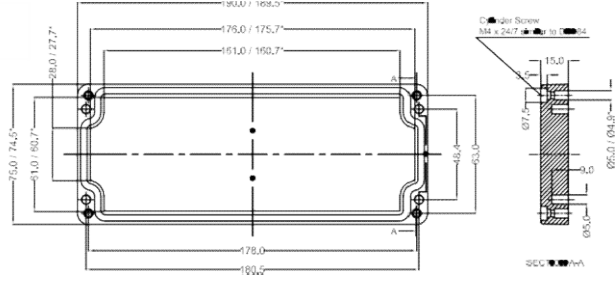
| TECHNICAL SPECIFICATION | GREY | BLACK |
|-------------------------|--|---|
| Colour | RAL 7000 | Similar to RAL 9011 |
| Material | Glass Fiber Reinforced Polyester | Glass Reinforced Polyester - Graphite Added |
| Gasket: | Neoprene | Silicone |
| Surface Resistance | > 10 ¹² Ohm | < 10 ⁹ Ohm |
| Service Temperature | - 40°C to +80°C | -60°C to +110°C |
| Lid Screw | Captive Screw - SS1.4301 (A2) - M4 | |
| Tightening Torque: | 1 to 2 Nm | |
| Protection | IP 66, EN 60529 | |
| Impact Strength | Impact Energy > 7 Joules, EN 60079 | |
| Flammability | Self Extinguishing, UL 94 V0 | |
| Process Control System | ISO 9001 - 2015, IEC 80079 - 34 - 2011 | |

| AVAILABLE ON DEMAND | |
|----------------------------|------|
| DIN Rail | TS15 |
| Mounting Plate | Yes |
| External Mounting Brackets | Yes |
| Hinges | No |
| Alter Lid Screw | Yes |
| Sealable Lid screw | Yes |

GRJ09



BASE



LID

PRODUCT SPECIFICATION - STANDARD

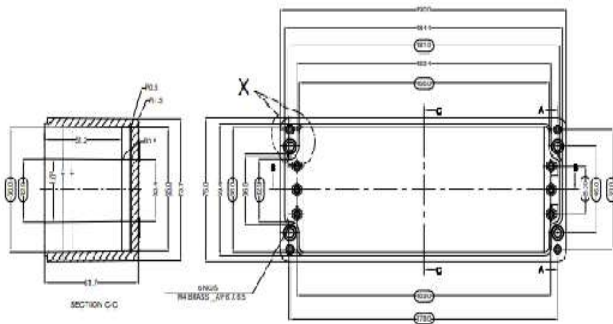
| | |
|--------------|---------------|
| Dim (LxWxH): | 190 X 75 X 55 |
| Model No: | GRJ09 |
| Order No : | GRJ09 |

| TECHNICAL SPECIFICATION | GREY | BLACK |
|-------------------------|--|---|
| Colour | RAL 7000 | Similar to RAL 9011 |
| Material | Glass Fiber Reinforced Polyester | Glass Reinforced Polyester - Graphite Added |
| Gasket: | Neoprene | Silicone |
| Surface Resistance | > 10 ¹² Ohm | < 10 ⁹ Ohm |
| Service Temperature | - 40°C to +80°C | -60°C to +110°C |
| Lid Screw | Captive Screw - SS1.4301 (A2) - M4 | |
| Tightening Torque: | 1 to 2 Nm | |
| Protection | IP 66, EN 60529 | |
| Impact Strength | Impact Energy > 7 Joules, EN 60079 | |
| Flammability | Self Extinguishing, UL 94 V0 | |
| Process Control System | ISO 9001 - 2015, IEC 80079 - 34 - 2011 | |

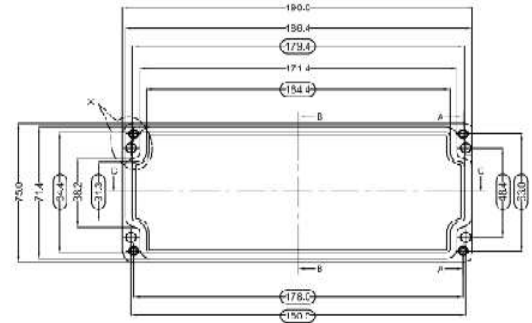
AVAILABLE ON DEMAND

| | |
|----------------------------|------|
| DIN Rail | TS15 |
| Mounting Plate | Yes |
| External Mounting Brackets | Yes |
| Hinges | No |
| Alter Lid Screw | Yes |
| Sealable Lid screw | Yes |

GRJ10



BASE



LID

PRODUCT SPECIFICATION - STANDARD

| | |
|--------------|---------------|
| Dim (LxWxH): | 190 x 75 x 75 |
| Model No: | GRJ10 |
| Order No : | GRJ10 |

| TECHNICAL SPECIFICATION | GREY | BLACK |
|-------------------------|--|---|
| Colour | RAL 7000 | Similar to RAL 9011 |
| Material | Glass Fiber Reinforced Polyester | Glass Reinforced Polyester - Graphite Added |
| Gasket: | Neoprene | Silicone |
| Surface Resistance | > 10 ¹² Ohm | < 10 ⁹ Ohm |
| Service Temperature | - 40°C to +80°C | -60°C to +110°C |
| Lid Screw | Captive Screw - SS1.4301 (A2) - M4 | |
| Tightening Torque: | 1 to 2 Nm | |
| Protection | IP 66, EN 60529 | |
| Impact Strength | Impact Energy > 7 Joules, EN 60079 | |
| Flammability | Self Extinguishing, UL 94 V0 | |
| Process Control System | ISO 9001 - 2015, IEC 80079 - 34 - 2011 | |

AVAILABLE ON DEMAND

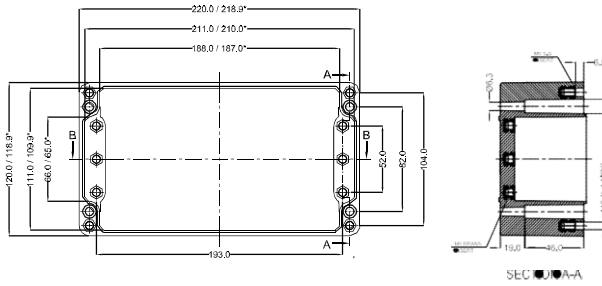
| | |
|----------------------------|------|
| DIN Rail | TS15 |
| Mounting Plate | Yes |
| External Mounting Brackets | Yes |
| Hinges | No |
| Alter Lid Screw | Yes |
| Sealable Lid screw | Yes |



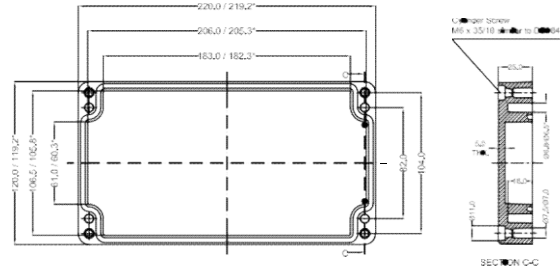
GRJ11



BASE



LID



PRODUCT SPECIFICATION - STANDARD

| | |
|--------------|----------------|
| Dim (LxWxH): | 220 X 120 X 90 |
| Model No: | GRJ11 |
| Order No : | GRJ11 |
| Weight (gm): | 811 |

| TECHNICAL SPECIFICATION | GREY | BLACK |
|-------------------------|--|---|
| Colour | RAL 7000 | Similar to RAL 9011 |
| Material | Glass Fiber Reinforced Polyester | Glass Reinforced Polyester - Graphite Added |
| Gasket: | Neoprene | Silicone |
| Surface Resistance | > 10 ¹² Ohm | < 10 ⁹ Ohm |
| Service Temperature | - 40°C to +80°C | -60°C to +110°C |
| Lid Screw | Captive Screw - SS1.4301 (A2) - M6 | |
| Tightening Torque: | 2 to 3 Nm | |
| Protection | IP 66, EN 60529 | |
| Impact Strength | Impact Energy > 7 Joules, EN 60079 | |
| Flammability | Self Extinguishing, UL 94 V0 | |
| Process Control System | ISO 9001 - 2015, IEC 80079 - 34 - 2011 | |

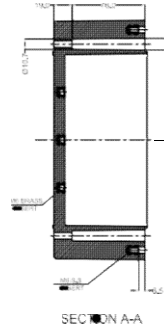
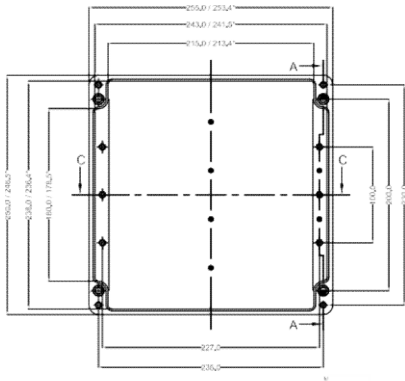
AVAILABLE ON DEMAND

| | |
|----------------------------|----------|
| DIN Rail | TS35 |
| Mounting Plate | Yes |
| External Mounting Brackets | Yes |
| Hinges | External |
| Alter Lid Screw | Yes |
| Sealable Lid screw | Yes |

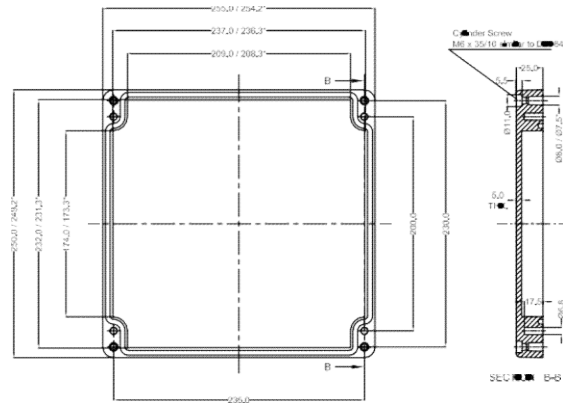
GRJ12



BASE



LID



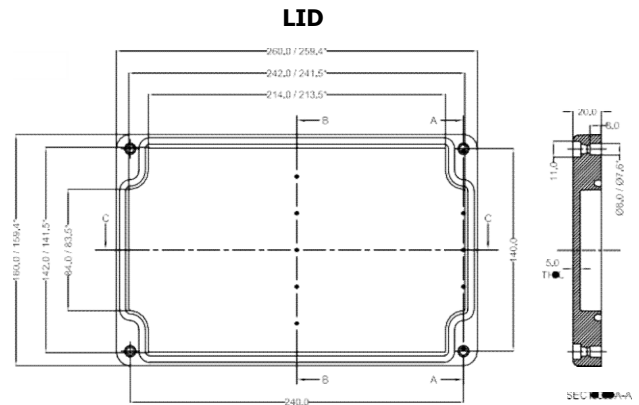
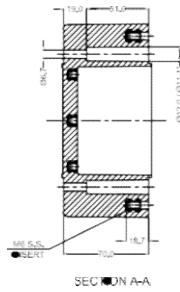
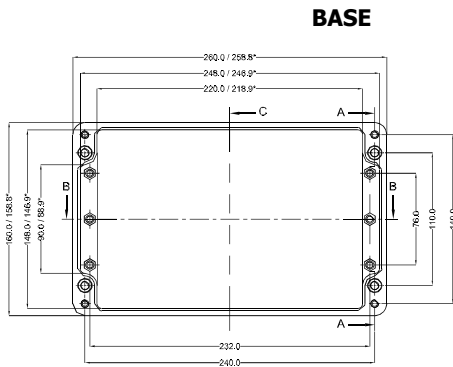
PRODUCT SPECIFICATION - STANDARD

| | |
|--------------|-----------------|
| Dim (LxWxH): | 255 X 250 X 120 |
| Model No: | GRJ12 |
| Order No : | GRJ12 |

| TECHNICAL SPECIFICATION | GREY | BLACK |
|-------------------------|--|---|
| Colour | RAL 7000 | Similar to RAL 9011 |
| Material | Glass Fiber Reinforced Polyester | Glass Reinforced Polyester - Graphite Added |
| Gasket: | Neoprene | Silicone |
| Surface Resistance | > 10 ¹² Ohm | < 10 ⁹ Ohm |
| Service Temperature | - 40°C to +80°C | -60°C to +110°C |
| Lid Screw | Captive Screw - SS1.4301 (A2) - M6 | |
| Tightening Torque: | 3-4 Nm | |
| Protection | IP 66, EN 60529 | |
| Impact Strength | Impact Energy > 7 Joules, EN 60079 | |
| Flammability | Self Extinguishing, UL 94 V0 | |
| Process Control System | ISO 9001 - 2015, IEC 80079 - 34 - 2011 | |

AVAILABLE ON DEMAND

| | |
|----------------------------|----------|
| DIN Rail | TS35 |
| Mounting Plate | Yes |
| External Mounting Brackets | Yes |
| Hinges | External |
| Alter Lid Screw | Yes |
| Sealable Lid screw | Yes |



PRODUCT SPECIFICATION - STANDARD

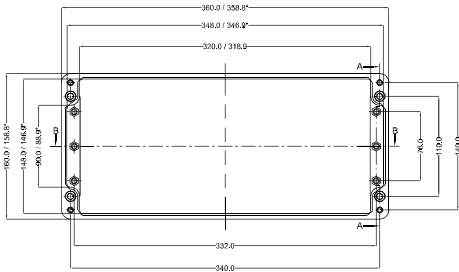
| | |
|--------------|----------------|
| Dim (LxWxH): | 260 X 160 X 90 |
| Model No: | GRJ13 |
| Order No : | GRJ13 |

| TECHNICAL SPECIFICATION | GREY | BLACK |
|-------------------------|--|---|
| Colour | RAL 7000 | Similar to RAL 9011 |
| Material | Glass Fiber Reinforced Polyester | Glass Reinforced Polyester - Graphite Added |
| Gasket: | Neoprene | Silicone |
| Surface Resistance | > 10 ¹² Ohm | < 10 ⁹ Ohm |
| Service Temperature | - 40°C to +80°C | -60°C to +110°C |
| Lid Screw | Captive Screw - SS1.4301 (A2) - M6 | |
| Tightening Torque: | 2 to 3 Nm | |
| Protection | IP 66, EN 60529 | |
| Impact Strength | Impact Energy > 7 Joules, EN 60079 | |
| Flammability | Self Extinguishing, UL 94 V0 | |
| Process Control System | ISO 9001 - 2015, IEC 80079 - 34 - 2011 | |

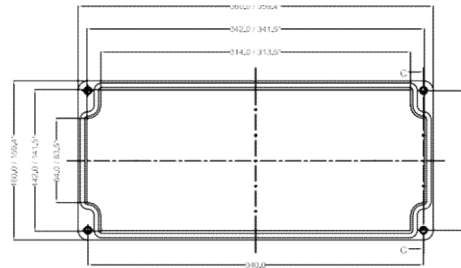
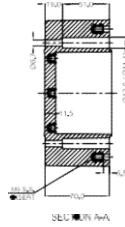
AVAILABLE ON DEMAND

| | |
|----------------------------|----------|
| DIN Rail | TS35 |
| Mounting Plate | Yes |
| External Mounting Brackets | Yes |
| Hinges | External |
| Alter Lid Screw | Yes |
| Sealable Lid screw | Yes |

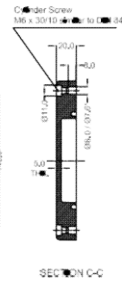
GRJ14



BASE



LID



PRODUCT SPECIFICATION - STANDARD

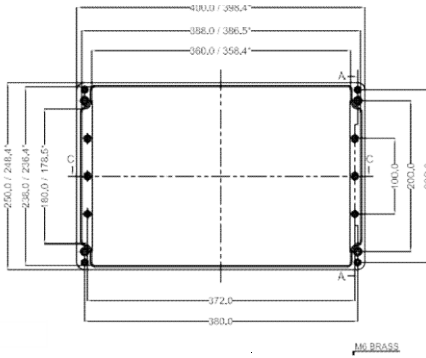
| | |
|--------------|----------------|
| Dim (LxWxH): | 360 X 160 X 90 |
| Model No: | GRJ14 |
| Order No : | GRJ14 |

| TECHNICAL SPECIFICATION | GREY | BLACK |
|-------------------------|--|---|
| Colour | RAL 7000 | Similar to RAL 9011 |
| Material | Glass Fiber Reinforced Polyester | Glass Reinforced Polyester - Graphite Added |
| Gasket: | Neoprene | Silicone |
| Surface Resistance | > 10 ¹² Ohm | < 10 ⁹ Ohm |
| Service Temperature | - 40°C to +80°C | -60°C to +110°C |
| Lid Screw | Captive Screw - SS1.4301 (A2) - M6 | |
| Tightening Torque: | 3-4 Nm | |
| Protection | IP 66, EN 60529 | |
| Impact Strength | Impact Energy > 7 Joules, EN 60079 | |
| Flammability | Self Extinguishing, UL 94 V0 | |
| Process Control System | ISO 9001 - 2015, IEC 80079 - 34 - 2011 | |

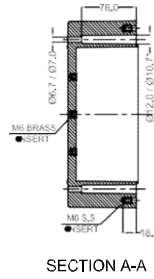
AVAILABLE ON DEMAND

| | |
|----------------------------|----------|
| DIN Rail | TS35 |
| Mounting Plate | Yes |
| External Mounting Brackets | Yes |
| Hinges | External |
| Alter Lid Screw | Yes |
| Sealable Lid screw | Yes |

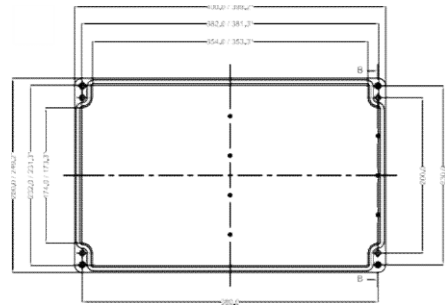
GRJ15



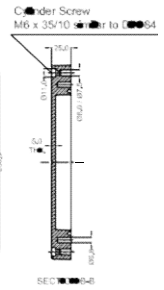
BASE



SECTION A-A



LID

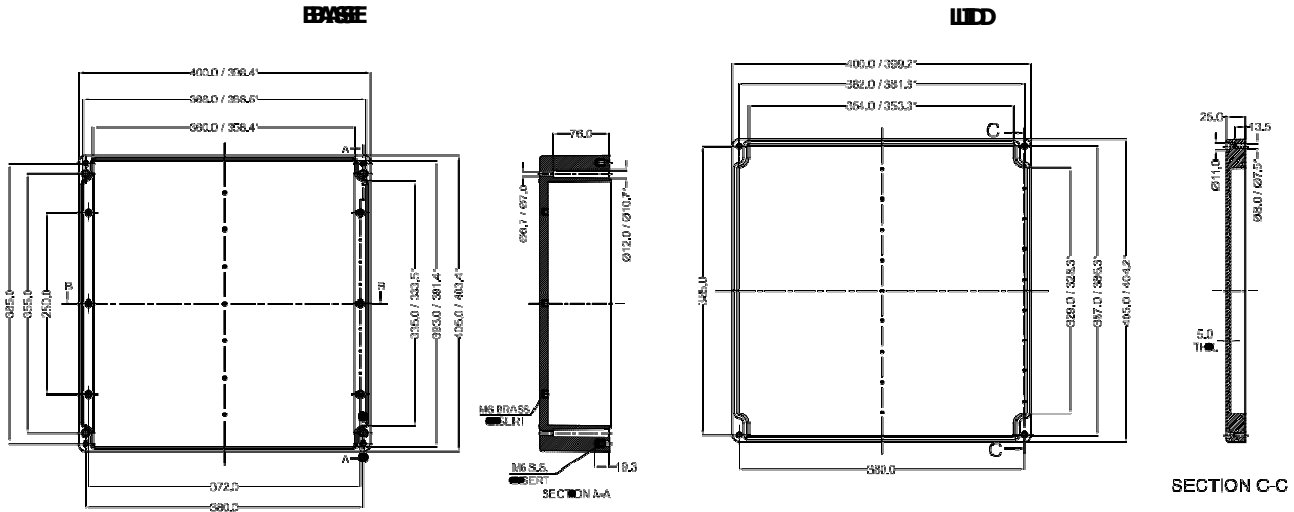


| PRODUCT SPECIFICATION - STANDARD | |
|----------------------------------|-----------------|
| Dim (LxWxH): | 400 X 250 X 120 |
| Model No: | GRJ15 |
| Order No : | GRJ15 |

| TECHNICAL SPECIFICATION | GREY | BLACK |
|-------------------------|--|---|
| Colour | RAL 7000 | Similar to RAL 9011 |
| Material | Glass Fiber Reinforced Polyester | Glass Reinforced Polyester - Graphite Added |
| Gasket: | Neoprene | Silicone |
| Surface Resistance | > 10 ¹² Ohm | < 10 ⁹ Ohm |
| Service Temperature | - 40°C to +80°C | -60°C to +110°C |
| Lid Screw | Captive Screw - SS1.4301 (A2) - M6 | |
| Tightening Torque: | 3-4 Nm | |
| Protection | IP 66, EN 60529 | |
| Impact Strength | Impact Energy > 7 Joules, EN 60079 | |
| Flammability | Self Extinguishing, UL 94 V0 | |
| Process Control System | ISO 9001 - 2015, IEC 80079 - 34 - 2011 | |

| AVAILABLE ON DEMAND | |
|----------------------------|----------|
| DIN Rail | TS35 |
| Mounting Plate | Yes |
| External Mounting Brackets | Yes |
| Hinges | External |
| Alter Lid Screw | Yes |
| Sealable Lid screw | Yes |

GRJ16



PRODUCT SPECIFICATION - STANDARD

| | |
|--------------|-----------------|
| Dim (LxWxH): | 400 X 405 X 120 |
| Model No: | GRJ16 |
| Order No : | GRJ16 |
| Weight (gm): | 4263 |

| TECHNICAL SPECIFICATION | GREY | BLACK |
|-------------------------|--|---|
| Colour | RAL 7000 | Similar to RAL 9011 |
| Material | Glass Fiber Reinforced Polyester | Glass Reinforced Polyester - Graphite Added |
| Gasket: | Neoprene | Silicone |
| Surface Resistance | > 10 ¹² Ohm | < 10 ⁹ Ohm |
| Service Temperature | - 40°C to +80°C | -60°C to +110°C |
| Lid Screw | Captive Screw - SS1.4301 (A2) - M6 | |
| Tightening Torque: | 2 to 3 Nm | |
| Protection | IP 66, EN 60529 | |
| Impact Strength | Impact Energy > 7 Joules, EN 60079 | |
| Flammability | Self Extinguishing, UL 94 V0 | |
| Process Control System | ISO 9001 - 2015, IEC 80079 - 34 - 2011 | |

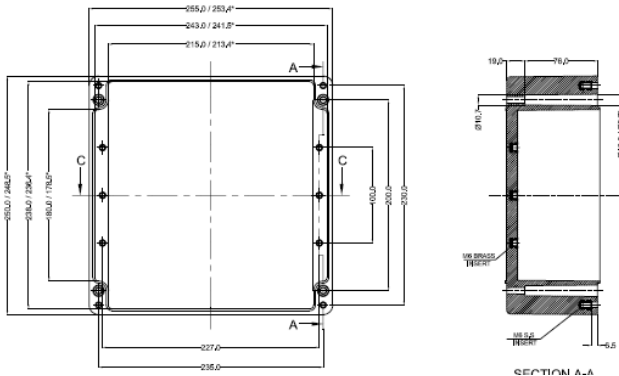
AVAILABLE ON DEMAND

| | |
|----------------------------|----------|
| DIN Rail | TS35 |
| Mounting Plate | Yes |
| External Mounting Brackets | Yes |
| Hinges | External |
| Alter Lid Screw | Yes |
| Sealable Lid screw | Yes |

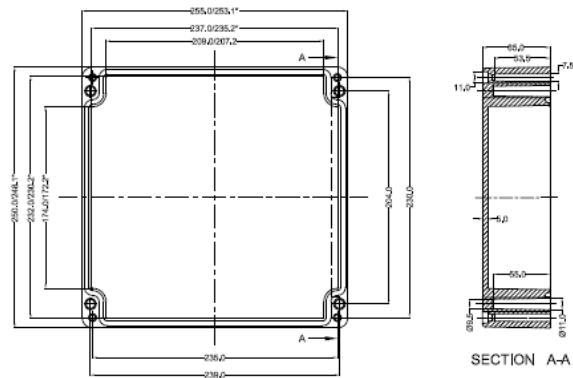
GRJ17



BASE



LID



PRODUCT SPECIFICATION - STANDARD

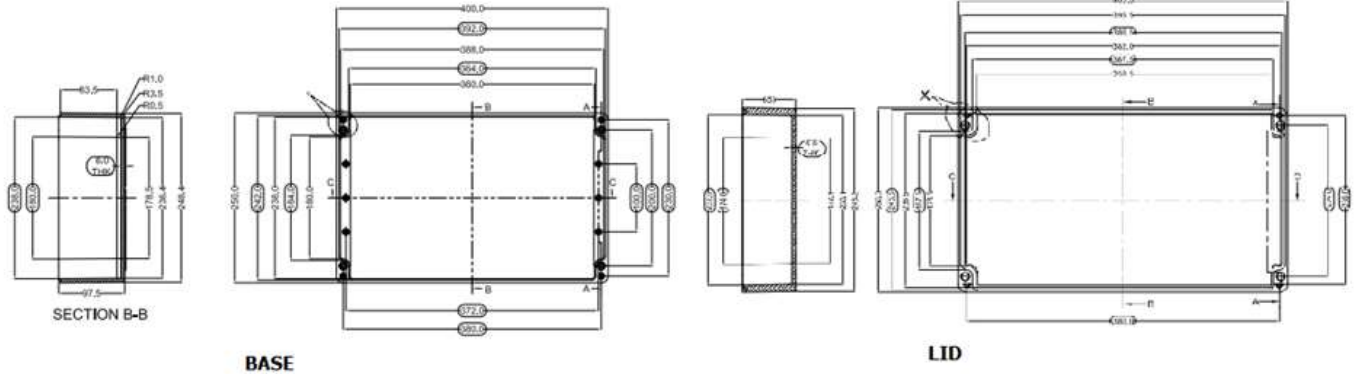
| | |
|--------------|-----------------|
| Dim (LxWxH): | 255 X 250 X 160 |
| Model No: | GRJ17 |
| Order No : | GRJ17 |
| Weight (gm): | 3.806 |

| TECHNICAL SPECIFICATION | GREY | BLACK |
|-------------------------|--|---|
| Colour | RAL 7000 | Similar to RAL 9011 |
| Material | Glass Fiber Reinforced Polyester | Glass Reinforced Polyester - Graphite Added |
| Gasket: | Neoprene | Silicone |
| Surface Resistance | > 10 ¹² Ohm | < 10 ⁹ Ohm |
| Service Temperature | - 40°C to +80°C | -60°C to +110°C |
| Lid Screw | Captive Screw - SS1.4301 (A2) - M6 | |
| Tightening Torque: | 2 to 3 Nm | |
| Protection | IP 66, EN 60529 | |
| Impact Strength | Impact Energy > 7 Joules, EN 60079 | |
| Flammability | Self Extinguishing, UL 94 V0 | |
| Process Control System | ISO 9001 - 2015, IEC 80079 - 34 - 2011 | |

AVAILABLE ON DEMAND

| | |
|----------------------------|----------|
| DIN Rail | TS35 |
| Mounting Plate | Yes |
| External Mounting Brackets | Yes |
| Hinges | External |
| Alter Lid Screw | Yes |
| Sealable Lid screw | Yes |

GRJ18



PRODUCT SPECIFICATION - STANDARD

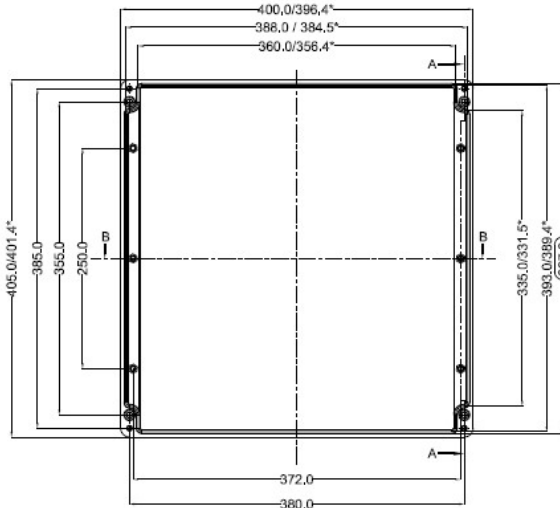
| | |
|--------------|-----------------|
| Dim (LxWxH): | 400 x 250 x 160 |
| Model No: | GRJ18 |
| Order No : | GRJ18 |

| TECHNICAL SPECIFICATION | GREY | BLACK |
|-------------------------|--|---|
| Colour | RAL 7000 | Similar to RAL 9011 |
| Material | Glass Fiber Reinforced Polyester | Glass Reinforced Polyester - Graphite Added |
| Gasket: | Neoprene | Silicone |
| Surface Resistance | > 10 ¹² Ohm | < 10 ⁹ Ohm |
| Service Temperature | - 40°C to +80°C | -60°C to +110°C |
| Lid Screw | Captive Screw - SS1.4301 (A2) – M6 | |
| Tightening Torque: | 3-4 Nm | |
| Protection | IP 66, EN 60529 | |
| Impact Strength | Impact Energy > 7 Joules, EN 60079 | |
| Flammability | Self Extinguishing, UL 94 V0 | |
| Process Control System | ISO 9001 - 2015, IEC 80079 - 34 - 2011 | |

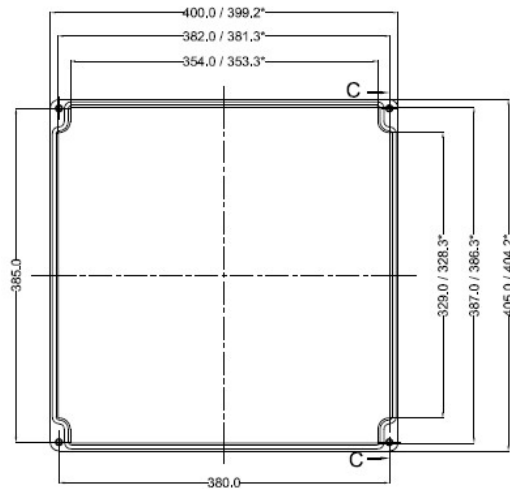
AVAILABLE ON DEMAND

| | |
|----------------------------|------|
| DIN Rail | TS35 |
| Mounting Plate | Yes |
| External Mounting Brackets | Yes |
| Hinges | No |
| Alter Lid Screw | Yes |
| Sealable Lid screw | Yes |

GRJ19



Base



Lid

PRODUCT SPECIFICATION - STANDARD

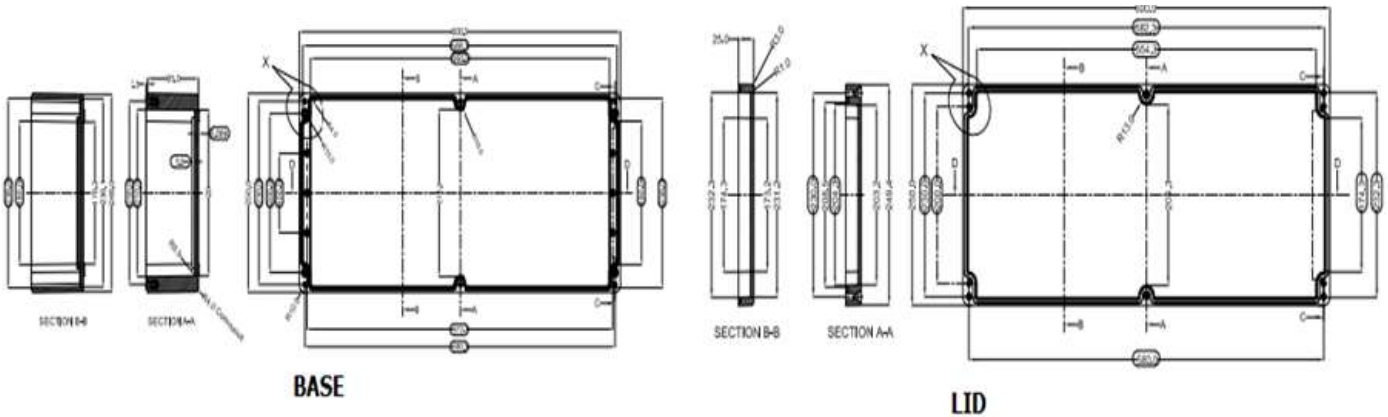
| | |
|--------------|-----------------|
| Dim (LxWxH): | 400 x 405 x 201 |
| Model No: | GRJ19 |
| Order No : | GRJ19 |

| TECHNICAL SPECIFICATION | GREY | BLACK |
|-------------------------|--|---|
| Colour | RAL 7000 | Similar to RAL 9011 |
| Material | Glass Fiber Reinforced Polyester | Glass Reinforced Polyester - Graphite Added |
| Gasket: | Neoprene | Silicone |
| Surface Resistance | > 10 ¹² Ohm | < 10 ⁹ Ohm |
| Service Temperature | - 40°C to +80°C | -60°C to +110°C |
| Lid Screw | Captive Screw - SS1.4301 (A2) – M6 | |
| Tightening Torque: | 3-4 Nm | |
| Protection | IP 66, EN 60529 | |
| Impact Strength | Impact Energy > 7 Joules, EN 60079 | |
| Flammability | Self Extinguishing, UL 94 V0 | |
| Process Control System | ISO 9001 - 2015, IEC 80079 - 34 - 2011 | |

AVAILABLE ON DEMAND

| | |
|----------------------------|------|
| DIN Rail | TS35 |
| Mounting Plate | Yes |
| External Mounting Brackets | Yes |
| Hinges | Yes |
| Alter Lid Screw | Yes |
| Sealable Lid screw | Yes |

GRJ20



PRODUCT SPECIFICATION - STANDARD

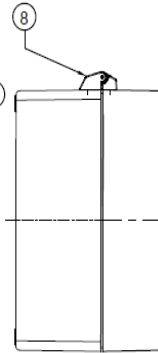
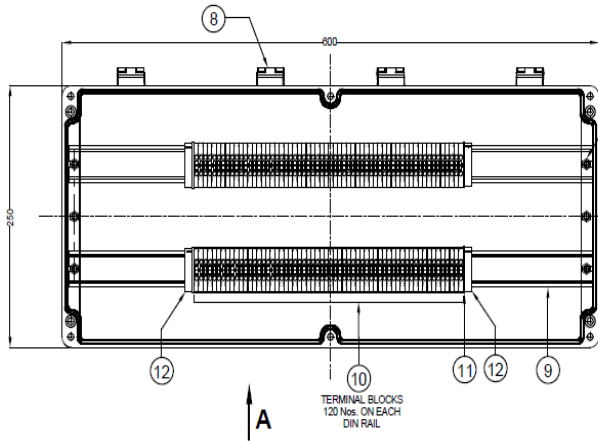
| | |
|--------------|-----------------|
| Dim (LxWxH): | 600 x 250 x 121 |
| Model No: | GRJ20 |
| Order No : | GRJ20 |

| TECHNICAL SPECIFICATION | GREY | BLACK |
|-------------------------|--|---|
| Colour | RAL 7000 | Similar to RAL 9011 |
| Material | Glass Fiber Reinforced Polyester | Glass Reinforced Polyester - Graphite Added |
| Gasket: | Neoprene | Silicone |
| Surface Resistance | > 10 ¹² Ohm | < 10 ⁹ Ohm |
| Service Temperature | - 40°C to +80°C | -60°C to +110°C |
| Lid Screw | Captive Screw - SS1.4301 (A2) – M6 | |
| Tightening Torque: | 4 Nm | |
| Protection | IP 66, EN 60529 | |
| Impact Strength | Impact Energy > 7 Joules, EN 60079 | |
| Flammability | Self Extinguishing, UL 94 V0 | |
| Process Control System | ISO 9001 - 2015, IEC 80079 - 34 - 2011 | |

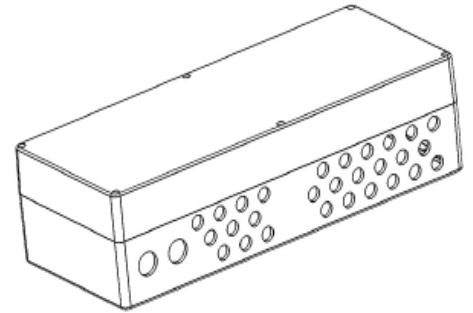
AVAILABLE ON DEMAND

| | |
|----------------------------|------|
| DIN Rail | TS35 |
| Mounting Plate | Yes |
| External Mounting Brackets | Yes |
| Hinges | No |
| Alter Lid Screw | Yes |
| Sealable Lid screw | Yes |

GRJ21



RIGHT HAND SIDE VIEW



PRODUCT SPECIFICATION - STANDARD

| | |
|--------------|-----------------|
| Dim (LxWxH): | 600 x 250 x 161 |
| Model No: | GRJ21 |
| Order No : | GRJ21 |

Terminal block

| | |
|----------------------|--------------------|
| Product code | CTS 2.5 UN |
| Cable cross-section: | 2.5mm ² |
| Rated current : | 24 A |

| TECHNICAL SPECIFICATION | GREY | BLACK |
|-------------------------|--|---|
| Colour | RAL 7000 | Similar to RAL 9011 |
| Material | Glass Fiber Reinforced Polyester | Glass Reinforced Polyester - Graphite Added |
| Gasket: | Neoprene | Silicone |
| Surface Resistance | > 10 ¹² Ohm | < 10 ⁹ Ohm |
| Service Temperature | - 40°C to +80°C | -60°C to +110°C |
| Lid Screw | Captive Screw - SS1.4301 (A2) – M6 | |
| Tightening Torque: | 3-4 Nm | |
| Protection | IP 66, EN 60529 | |
| Impact Strength | Impact Energy > 7 Joules, EN 60079 | |
| Flammability | Self Extinguishing, UL 94 V0 | |
| Process Control System | ISO 9001 - 2015, IEC 80079 - 34 - 2011 | |

AVAILABLE ON DEMAND

| | |
|----------------------------|------|
| DIN Rail | TS35 |
| Mounting Plate | Yes |
| External Mounting Brackets | Yes |
| Hinges | No |
| Alter Lid Screw | Yes |
| Sealable Lid screw | Yes |