

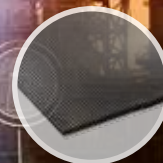
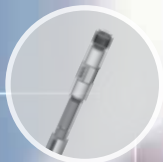
Cable Lugs & Wire Connectors

Who we are?

Raychem RPG (P) Ltd., incorporated in 1989, is a 50:50 joint Venture between TE Connectivity, U.S.A. (formerly Tyco Electronics) and RPG Enterprises, India.

TE Connectivity is a US\$14 Billion global provider for solutions in Network, Transportation, Consumers and Industrial for over 50 years.

RPG Enterprises, an establishment of over 30 years, is one of India's fastest growing business groups with turnover of US\$ 4 Billion. The group has more than fifteen companies managing diverse business interests in the areas of Automotive Tyres, Infrastructure, IT and Specialty including Pharmaceuticals, Power Ancillaries & Plantations.



INTRODUCTION TO CABLE LUGS AND CONNECTORS

Raychem RPG manufactures cable lugs and connectors, which provides termination for a variety of power and grounding applications with innovation and reliability. These lugs and connectors are made of high strength, high conductivity electrolytic copper and aluminium alloy materials to provide optimum connectivity for power and grounding applications.

FEATURES OF CABLE LUGS AND CONNECTORS

- Our lugs and connectors are safe and economical both in design and use
- All copper lugs and connectors are electro-tinned to inhibit corrosion and oxidation
- Entry to terminal is shock proof and flared end is provided in selective lugs for easier conductor entry in flexible cables
- The terminals of our lugs and connectors are designed for easy insertion of standard wires and for flexible wire insertions the barrel end is made bell mouthed (flared)
- Our lugs and connectors are annealed to guarantee optimum ductility

Our lugs and connectors are manufactured from Cathodes sourced from LME approved warehouse. Our Aluminium lugs are manufactured from ISO certified tube manufactures. We have inhouse facility to check conductivity of aluminium and copper. Copper Specifications 99% IACS, BS EN 1976: 1998, BSEN 1978:1998. Copper finish: Electrotinned to BS 1827: 1984.

OUR OFFERINGS

- Our cable lugs and connectors meet the highest quality requirements and satisfy the required international standards.
 - We have an extensive range for low and medium-voltage applications
 - We offer distinct phase for easy conductor entry and burr-free edges
 - Our products provide with consistent precision, high safety and rating properties, thanks to high quality electrolytic copper that we use.
-

OUR STANDARDS

SPECIALIZED SOLUTION FOR EVERY APPLICATION

- Compliance with international standards, including IEC and UL.
- Solutions for cables with compacted round conductors, cables with sector-shaped conductors and to suit individual requirements.
- Plus all corresponding manual and hydraulic crimping tools.

Benefits:

- The right products for every installation scenario.
- Highest flexibility for connecting cables.
- Standards-compliance permits international application.
- A single source for everything – from cable lugs to tools.
- Guarantees the correct tools for professional electrical installations.



HIGH TECH CNC M/C PROCESSING

- Raychem RPG tubular cable lugs are made from quality E-Cu tubes. All suppliers are certified.
- Defined, unique material properties by annealing cable lugs.



BENEFITS:

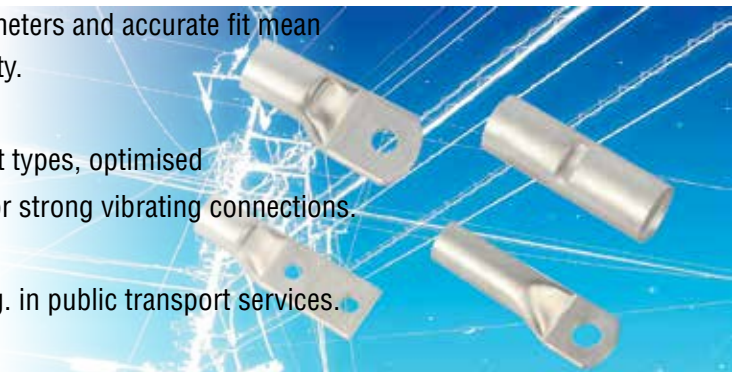
- Optimised conductivity, enhanced safety and high cable lug rating thanks to high quality material.
- The annealing of cable lugs during production sets Raychem RPG products apart and guarantees outstanding processing properties such as a defined hardness and tooling operations with reduced effort and less wear of tools.

HEAVY DUTY APPLICATIONS & PERFORMANCE

- Consistent material thickness, precise diameters and accurate fit mean optimised processing and ultimate reliability.

BENEFITS:

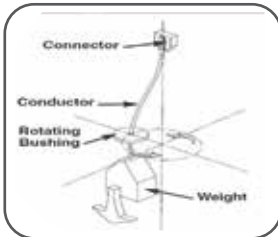
- With professional installation of the correct types, optimised
- Stability even with mechanically stressed or strong vibrating connections.
- Less repair and maintenance.
- Safe connections even under high load, e.g. in public transport services.



PRODUCT APPROVAL

UL 486A & 486B APPROVAL

Raychem RPG Terminal Lug and connectors comply with UL Standard requirements and they have been carried out the tests according to UL486A and UL486B.

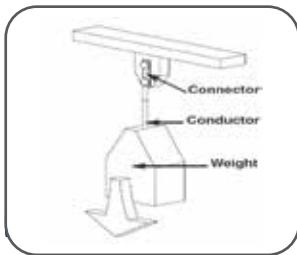
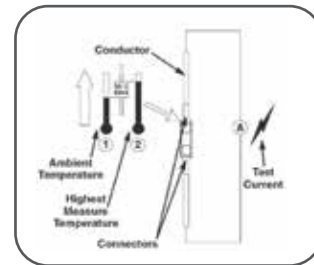


Test 1 - Wire Secureness Test:

The object of this test is to get long term dependability in **Raychem RPG** copper lugs and connectors with moving equipment.

Test 2 - Static Heating Test:

The object of this test is to get long Safe Connection at Rated Current` Static Heating Test Sequence



Test 3 - Wire Pullout Test:

The object of this test is to Secure connection under static tensile Loads. Wire Pullout Test Sequence

IEC 61238 APPROVAL

Raychem RPG Terminal Lug and Copper Lugs are tested according to "Class A" of IEC61238-1 for rated voltages upto 30kV ($U_m=36kV$)

Scope and object of IEC61238-1

Compression and mechanical connectors for power cables for rated voltages up to 30kV ($U_m=36kV$), e.g. buried cables or cables installed in buildings, having conductors complying with IEC60228 and IEC60228A with cross-sectional areas 10mm² and greater for copper and a maximum continuous conductor temperature not exceeding 90°C.

Class A

These are connectors intended for electricity distribution or industrial networks in which they can be subjected to short-circuits of relatively high intensity and duration. As a consequence, Class A connectors are suitable for the majority of applications.

Depending on the application, the connectors are subjected to the following tests :

Heat Cycle Test - The object of the heat cycle is to determine the reference conductor temperature to be used for subsequent cycles and also to identify the median connector.

Total 1000 cycles required.

Short-circuit test. Six short-circuits are applied after the 200th heat cycle. The short-circuit current level shall be such that it raises the bare reference conductors from a temperature of <35°C to a temperature between 250°C and 270°C. The maximum temperature, time and approximate current, or the actual current and time, used for the short-circuit test, shall be recorded and stated in the test report.

Mechanical Test: The conductor lengths, between connector and tensile test machine jaws, shall be >500mm. The rate of application of the load shall not exceed 10N per square millimetre of cross-sectional area and per second up to the value in copper : maximum 20000N, which is then maintained for 1 min.



CRIMPING METHODOLOGY

The following are a series of procedures that Raychem RPG suggests maintaining and extending the performance life of connectors.

COPPER LUG CRIMPING

1. STRIPPING CABLE INSULATION

Problems with cable harness and connector systems often begin with improper or accidental cutting of wire strands while stripping cable insulation. Each strand is important, and all of them must be included in the contact barrel to avoid unnecessary hot spots during operation. When removing insulation, position a sharp blade at a right angle and apply steady, controlled pressure, cutting only the cable insulation, not the copper wire. Strip cable to the proper length for the contact being crimped. Proper lengths are listed in the instruction sheet.



2. CLEANING COPPER WIRE

Aged and badly tarnished copper should be thoroughly scraped with a brush which penetrates the entire bundle cleaning every strand. The wires will then be ready for insertion into the contact barrel when they are brushed to their original bright copper finish. Contact barrels are lined with silver or tin plating to assure consistent conductivity, which will be reduced if the barrel is crimped around aged or tarnished wire.



3. CRIMPING

The best preparation will be defeated if inadequate tools or improper crimping procedures are performed. Never use a hammer and chisel or the “squeeze in a vise” method. They won’t do the job and will result in substantial reduction in connector life.

Use a crimp tool. Make sure the stripped cable is inserted all the way into the barrel of the contact and that the contact point is centered in the crimp tool. A crimp tool will effectively compress the contact barrel tightly around the cable strands, allowing them to be pressed tightly against each other and against the inside wall of the contact barrel.



When the crimp has been completed, check the appearance of the contact. A properly crimped contact barrel is compacted tightly with the outer strands. The outer strands on an improperly crimped barrel will be loose and will not have adequate clamping force. Test for low pull out force. If the cable can be loosened, recrimp until it is tight.

INDEX

A



COPPER LUGS

12-66

B



COPPER SPLICES

67-71

C



STAINLESS STEEL LUGS

72

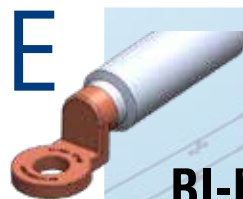
D



**ALUMINIUM LUGS
ALUMINIUM SPLICES**

73-78

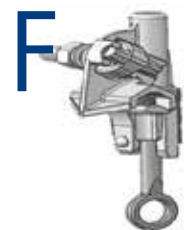
E



BI-METALLIC CONNECTORS

80-81

F



OVERHEAD SOLUTIONS

85-96

G



**COPPER TERMINALS LUGS
& CONNECTORS**

97-136

COPPER LUGS

RL	- One-Hole Lugs - Standard Barrel	12
RLL	- One-Hole Lugs - MEA Series	16
ASB	- One-Hole Lugs - Standard Barrel	19
RK	- One-Hole Lugs - Standard Barrel - Euro Series	22
RC	- One-Hole Lugs - Standard Barrel - Euro Series	25
RLLB	- One-Hole Lugs - Long Barrel	28
RLLBE	- One-Hole Lugs - Long Extended Barrel	31
ALB	- One-Hole Lugs - Long Barrel	34
RLHV	- One-Hole Lugs - Heavy Duty	36
RLBM	- One-Hole Lugs - Bell Mouth Lugs	39
A2SB	- Two-Hole Lugs - Standard Barrel	42
RLLB 2E	- Two-Hole Lugs - Long Barrel	45
A2LB	- Two-Hole Lugs - Long Barrel	48
RLLB 2E	- Two-Hole Lugs - Heavy Duty	50
RLHV 2E	- Two-Hole Lugs - Heavy Duty	53
RLT 4E	- Four-Hole Lugs - Transformer Lugs	56
RLDS	- One-Hole Lugs - Copper lugs as per DIN 46235	57
RLNP	- One-Hole Lugs - Narrow palm	59
RLAF	- One-Hole Lugs - 45° Standard Barrel	60
RLAN	- One-Hole Lugs - 90° Standard Barrel	63
RCRL	- In line Connectors - Reducing Link	65

COPPER SPLICES

RCL	- Two-Way Splice Connectors - Long Barrel	67
AFL	- Two-Way Splice Connectors - Long Barrel	68
RCS	- Two-Way Splice Connectors - Short Barrel	69
AFS	- Two-Way Splice Connectors - Standard Barrel	70
RCD	- Two-Way Splice Connectors - Din 46267 Part-1	71

STAINLESS STEEL LUGS

RSS	- Stainless Steel Standard Barrel	72
-----	-----------------------------------	----

ALUMINIUM LUGS

ALDS	- One-Hole Lugs - Aluminium Dual Rated	73
ALDH	- One-Hole Lugs - Aluminium Dual Rated Heavy Duty	75
RLAX	- One-Hole Lugs - Aluminium Lugs for XLPE Cables	76
A2LDS	- Two-Hole Lugs - Aluminium Dual Rated	77
RADE	- One-Hole Lugs - Aluminium Lugs as per DIN 46329	78

ALUMINIUM SPLICES

AFDS	- Two-Way Splice Connectors - Aluminium Dual Rated	80
RCA	- Two-Way Splice Connectors - Standard Aluminium Splices	81

BI-METALLIC

RACL	- One-Hole Lugs - Bi-Metallic	82
RACC	- In line Connectors - Bi-Metallic	84

OVERHEAD SOLUTIONS

RCC	- Copper C-Crimps	85
RHC	- Aluminium H-Crimps	86

OVERHEAD SOLUTIONS

RHC	- Aluminium H-Crimps - Serration Type	87
RIL	- Insulated Two Way Connectors	88
RA	- Copper Mechanical Connector	89
RSBC	- Split Bolt Connector	90
RHLA	- Hot Line Clamps	91
RHLB	- Hot Line Clamps	92
RAML/RPBL	- Dual-Rated Mechanical Connector	93
RTCZ	- Z-Connector	95
RTC	- T-Connector	96

COPPER TERMINALS LUGS & CONNECTORS

RLSPF	- Insulated Terminals - Snap On (Female & Male)	97
RLFI	- Insulated Terminals - Fork Type	99
RLF	- Non-Insulated Terminals - Fork Type	100
RLBI	- Insulated Ends - Bootless DIN 46228/4	101
RLRI	- Insulated Terminals - Ring Type	103
RLR	- Non-Insulated Terminals - Ring Type	105
RLPI	- Insulated Terminals - Pin Type	110
RLPI-II	- Insulated Terminals - Blade Type	111
RLP	- Non-Insulated Terminals - Pin Type	112
RLP-II	- Non-Insulated Terminals - Blade Type	113
RLBC	- Insulated Terminals - PVC Insulated Butt Type Splices	114

COPPER TERMINALS LUGS & CONNECTORS

RLBC	- Insulated Terminals - Nylon Insulated Butt Type Splices	115
DRLFI	- PVC Insulated Terminals - DIN Fork Type	116
DRLFI	- Nylon Insulated Terminals - DIN Fork Type	117
DRLF	- Non-Insulated Terminals - DIN Fork Type	118
DRLRI	- PVC Insulated Terminals - DIN Ring Type	119
DRLRI	- Nylon Insulated Terminals - DIN Ring Type	120
DRLR	- Non-Insulated Terminals - DIN Ring Type	121
DRLPI	- PVC Insulated Terminals - DIN Pin Type	124
DRLPI	- Nylon Insulated Terminals - DIN Pin Type	125
DRLP	- Non-Insulated Terminals - DIN Pin Type	126
RLFI	- Insulated Terminals - Fork Type	127
RLF	- Non-Insulated Terminals - Fork Type	128
RLBI	- Insulated Cable Ends - Bootless Sleeves	129
RLRI	- Insulated Terminals - Ring Type	131
RLR	- Non-Insulated Terminals - Ring Type	132
RLPI	- Insulated Terminals - Pin Type	134
RLP	- Non-Insulated Terminals - Pin Type	135

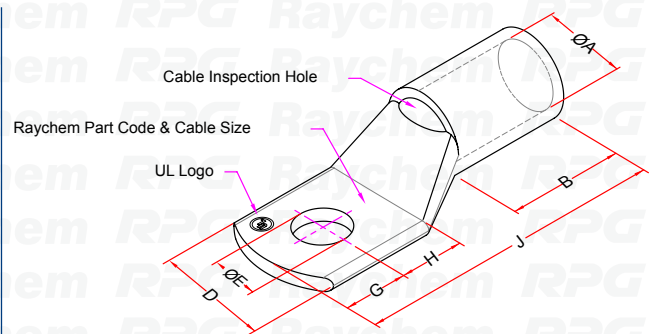
COPPER LUGS

RL

Technical Data :

One-Hole Lugs - Standard Barrel

For Copper Conductors, Conductor Range 1.5 - 1000 sq mm



Characteristics

- Annealed material optimizes material and crimping properties
- Flat contact surface and precise stud holes as per the Metric standard

Material

- High Conductivity ETP-Copper

Finish

- Electro Tin Plated

Catalogue Code	Nominal Cross Section sq mm	Bolt Size	Dimensions (mm)						
			Stud Hole	Barrel ID	Palm Width	Stud Centre Distance		Barrel Length	Total Length
			ØE	ØA	D	G	H	B	J
RL 1.5-4	1.5	M4	4.2	1.8	8.0	4.0	5.0	6.0	17.0
RL 1.5-5		M5	5.2	1.8	8.0	4.0	5.0	6.0	17.0
RL 1.5-6		M6	6.5	1.8	10.0	4.0	6.0	6.0	18.0
RL 2.5-4	2.5	M4	4.2	2.4	8.0	4.0	5.0	8.0	19.0
RL 2.5-5		M5	5.2	2.4	8.0	4.0	5.0	8.0	19.0
RL 2.5-6		M6	6.5	2.4	10.0	5.0	6.0	8.0	21.0
RL 2.5-8		M8	8.4	2.4	12.0	6.0	9.0	8.0	26.0
RL 4-4	4	M4	4.2	3.1	10.0	5.0	6.0	8.0	21.0
RL 4-5		M5	5.2	3.1	10.0	5.0	6.0	8.0	21.0
RL 4-6		M6	6.5	3.1	10.0	5.0	6.0	8.0	21.0
RL 4-8		M8	8.4	3.1	12.0	6.0	9.0	8.0	24.0
RL 6-4	6	M4	4.2	3.8	10.0	6.0	6.0	10.0	23.0
RL 6-5		M5	5.2	3.8	10.0	6.0	6.0	10.0	23.0
RL 6-6		M6	6.5	3.8	10.0	5.0	6.0	10.0	24.0
RL 6- 8 *		M 8	8.4	3.8	12.0	6.0	9.0	10.0	27.0
RL 6-10		M10	10.5	3.8	15.0	8.0	11.0	10.0	32.0
RL 10-5	10	M5	5.2	4.5	11.0	6.0	7.0	10.0	26.5
RL 10-6		M6	6.5	4.5	11.0	6.0	7.0	10.0	26.5
RL 10-8		M8	8.4	4.5	12.0	6.0	9.0	10.0	27.5
RL 10-10		M10	10.5	4.5	15.0	8.0	11.0	11.0	32.0
RL 10-12		M12	13.0	4.5	17.0	10.0	13.0	11.0	39.0
RL 10-16 *		M16	17.0	4.5	22.0	12.5	13.5	12.0	43.0

Continued...

Technical Data :

RL - One-Hole Lugs - Standard Barrel ...Continued

Catalogue Code	Nominal Cross Section sq mm	Bolt Size	Dimensions (mm)						
			Stud Hole	Barrel ID	Palm Width	Stud Centre Distance		Barrel Length	Total Length
			ØE	ØA	D	G	H	B	J
RL 16-5	16	M5	5.2	5.4	12.0	7.0	7.0	12.0	30.0
RL 16-6		M6	6.5	5.4	12.0	7.0	7.0	12.0	30.0
RL 16-8		M8	8.4	5.4	12.0	7.0	7.0	12.0	30.0
RL 16-10		M10	10.5	5.4	15.0	8.0	12.0	12.0	35.0
RL 16-12		M12	13.0	5.4	17.0	11.0	13.0	12.0	39.0
RL 16-14		M14	14.5	5.4	18.0	11.0	13.0	13.0	42.0
RL 16-16 *		M16	17.0	5.4	21.0	11.0	13.0	15.0	47.0
RL 25-6	25	M6	6.5	6.8	13.0	7.0	7.0	12.0	30.0
RL 25-8		M8	8.4	6.8	13.0	7.0	7.0	12.0	30.0
RL 25-10		M10	10.5	6.8	15.0	10.0	11.0	13.0	36.5
RL 25-12		M12	13.0	6.8	17.0	10.0	12.0	15.0	40.0
RL 25-16		M16	17.0	6.8	21.0	10.0	12.0	15.0	47.0
RL 35-6	35	M6	6.5	8.2	16.0	9.0	9.0	14.0	36.0
RL 35-8		M8	8.4	8.2	16.0	9.0	9.0	14.0	36.0
RL 35-10		M10	10.5	8.2	16.0	9.0	9.0	14.0	37.0
RL 35-12		M12	13.0	8.2	18.0	10.0	12.0	13.5	41.0
RL 35-14		M14	14.5	8.2	20.0	10.0	12.0	13.5	41.0
RL 35-16		M16	17.0	8.2	22.0	14.0	18.0	13.5	50.0
RL 50-6	50	M6	6.5	9.5	18.0	9.0	10.0	16.0	42.0
RL 50-8		M8	8.4	9.5	18.0	9.0	10.0	16.0	42.0
RL 50-10		M10	10.5	9.5	18.0	9.0	10.0	16.0	42.0
RL 50-12		M12	13.0	9.5	20.0	10.0	12.0	17.0	45.0
RL 50-14		M14	14.5	9.5	20.0	10.0	12.0	17.0	45.0
RL 50-16		M16	17.0	9.5	22.0	15.0	15.0	18.0	52.0
RL 50-20		M20	21.0	9.5	26.0	15.0	15.0	18.0	60.0
RL 70-6	70	M6	6.5	11.3	21.0	11.0	11.0	18.5	47.0
RL 70-8		M8	8.4	11.3	21.0	11.0	11.0	18.5	47.0
RL 70-10		M10	10.5	11.3	21.0	11.0	11.0	18.5	47.0
RL 70-12		M12	13.0	11.3	21.0	11.0	11.0	18.5	47.0
RL 70-14		M14	14.5	11.3	22.0	14.0	15.0	18.5	55.0
RL 70-16		M16	17.0	11.3	26.0	14.0	16.0	18.5	56.0
RL 70-20		M20	21.0	11.3	28.0	14.0	16.0	18.5	63.0
RL 95-6	95	M6	6.5	13.5	25.0	12.0	13.0	21.0	53.0
RL 95-8		M8	8.4	13.5	25.0	12.0	13.0	21.0	53.0
RL 95-10		M10	10.5	13.5	25.0	12.0	13.0	21.0	53.0
RL 95-12		M12	13.0	13.5	25.0	12.0	13.0	21.0	53.0
RL 95-14		M14	14.5	13.5	25.0	14.0	15.0	22.0	55.0
RL 95-16		M16	17.0	13.5	25.0	14.0	16.0	22.0	58.0
RL 95-20		M20	21.0	13.5	28.0	14.0	16.0	22.0	63.0
RL 95-BL		-	-	13.5	28.0	14.0	16.0	22.0	63.0

Continued...

*Non-UL

Technical Data :

RL - One-Hole Lugs - Standard Barrel ...Continued

Catalogue Code	Nominal Cross Section sq mm	Bolt Size	Dimensions (mm)						
			Stud Hole	Barrel ID	Palm Width	Stud Centre Distance		Barrel Length	Total Length
			ØE	ØA	D	G	H	B	J
RL 120-6	120	M6	6.5	15.0	28.0	13.0	14.0	23.0	60.0
RL 120-8		M8	8.4	15.0	28.0	13.0	14.0	23.0	60.0
RL 120-10		M10	10.5	15.0	28.0	13.0	14.0	23.0	60.0
RL 120-12		M12	13.0	15.0	28.0	13.0	14.0	23.0	60.0
RL 120-14		M14	14.5	15.0	28.0	13.0	14.0	23.0	60.0
RL 120-16		M16	17.0	15.0	28.0	16.0	16.0	23.0	64.0
RL 120-20		M20	21.0	15.0	28.0	16.0	16.0	23.0	64.0
RL 120-BL		-	-	-	15.0	28.0	16.0	16.0	23.0
RL 150-6	150	M6	6.5	16.5	30.0	16.0	16.0	27.0	70.0
RL 150-8		M8	8.4	16.5	30.0	16.0	16.0	27.0	70.0
RL 150-10		M10	10.5	16.5	30.0	16.0	16.0	27.0	70.0
RL 150-12		M12	13.0	16.5	30.0	16.0	16.0	27.0	70.0
RL 150-14		M14	14.5	16.5	30.0	16.0	16.0	27.0	70.0
RL 150-16		M16	17.0	16.5	30.0	16.0	16.0	27.0	70.0
RL 150-18		M18	19.0	16.5	30.0	19.0	16.0	27.0	73.0
RL 150-20		M20	21.0	16.5	30.0	19.0	16.0	27.0	73.0
RL 150-BL	-	-	-	16.5	30.0	19.0	16.0	27.0	73.0
RL 185-6	185	M6	6.5	18.5	34.0	17.0	19.0	32.0	80.0
RL 185-8		M8	8.4	18.5	34.0	17.0	19.0	32.0	80.0
RL 185-10		M10	10.5	18.5	34.0	17.0	19.0	32.0	80.0
RL 185-12		M12	13.0	18.5	34.0	17.0	19.0	32.0	80.0
RL 185-14		M14	14.5	18.5	34.0	17.0	19.0	32.0	80.0
RL 185-16		M16	17.0	18.5	34.0	17.0	19.0	32.0	80.0
RL 185-18		M18	19.0	18.5	34.0	17.0	19.0	32.0	80.0
RL 185-20		M20	21.0	18.5	34.0	17.0	19.0	32.0	80.0
RL 185-BL	-	-	-	18.5	34.0	17.0	19.0	32.0	80.0
RL 240-6	240	M6	6.5	21.0	38.0	20.0	20.0	37.0	94.0
RL 240-8		M8	8.4	21.0	38.0	20.0	20.0	37.0	94.0
RL 240-10		M10	10.5	21.0	38.0	20.0	20.0	37.0	94.0
RL 240-12		M12	13.0	21.0	38.0	20.0	20.0	37.0	94.0
RL 240-14		M14	14.5	21.0	38.0	20.0	20.0	37.0	94.0
RL 240-16		M16	17.0	21.0	38.0	20.0	20.0	37.0	94.0
RL 240-18		M18	19.0	21.0	38.0	20.0	20.0	37.0	94.0
RL 240-20		M20	21.0	21.0	38.0	20.0	20.0	37.0	94.0
RL 300-6	300	M6	6.5	23.5	43.0	22.0	22.0	42.0	101.0
RL 300-8		M8	8.4	23.5	43.0	22.0	22.0	42.0	101.0
RL 300-10		M10	10.5	23.5	43.0	22.0	22.0	42.0	101.0
RL 300-12		M12	13.0	23.5	43.0	22.0	22.0	42.0	101.0
RL 300-14		M14	14.5	23.5	43.0	22.0	22.0	42.0	101.0
RL 300-16		M16	17.0	23.5	43.0	22.0	22.0	42.0	101.0
RL 300-18		M18	19.0	23.5	43.0	22.0	22.0	42.0	101.0
RL 300-20		M20	21.0	23.5	43.0	22.0	22.0	42.0	101.0
RL 300-BL	-	-	-	23.5	43.0	-	-	42.0	103.0

Continued...

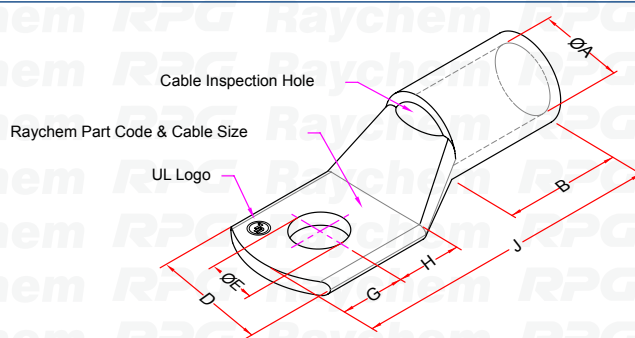
Technical Data :

RL - One-Hole Lugs - Standard Barrel ...Continued

Catalogue Code	Nominal Cross Section sq mm	Bolt Size	Dimensions (mm)						
			Stud Hole	Barrel ID	Palm Width	Stud Centre Distance		Barrel Length	Total Length
			ØE	ØA	D	G	H	B	J
RL 400-6	400	M6	6.5	28.5	52.5	26.0	26.0	44.0	114.0
RL 400-8		M8	8.4	28.5	52.5	26.0	26.0	44.0	114.0
RL 400-10		M10	10.5	28.5	52.5	26.0	26.0	44.0	114.0
RL 400-12		M12	13.0	28.5	52.5	26.0	26.0	44.0	114.0
RL 400-14		M14	14.5	28.5	52.5	26.0	26.0	44.0	114.0
RL 400-16		M16	17.0	28.5	52.5	26.0	26.0	44.0	114.0
RL 400-18		M18	19.0	28.5	52.5	26.0	26.0	44.0	114.0
RL 400-20		M20	21.0	28.5	52.5	26.0	26.0	44.0	114.0
RL 400-BL		-	-	28.5	52.5	-	-	44.0	114.0
RL 500-6	500	M6	6.5	30.0	56.0	28.0	28.0	48.0	129.0
RL 500-8		M8	8.4	30.0	56.0	28.0	28.0	48.0	129.0
RL 500-10		M10	10.5	30.0	56.0	28.0	28.0	48.0	129.0
RL 500-12		M12	13.0	30.0	56.0	28.0	28.0	48.0	129.0
RL 500-14		M14	14.5	30.0	56.0	28.0	28.0	48.0	129.0
RL 500-16		M16	17.0	30.0	56.0	28.0	28.0	48.0	129.0
RL 500-18		M12	19.0	30.0	56.0	28.0	28.0	48.0	129.0
RL 500-20		M20	21.0	30.0	56.0	28.0	28.0	48.0	129.0
RL 500-BL		-	-	30.0	56.0	-	-	48.0	129.0
RL 630-6	630	M6	6.5	35.0	63.8	33.0	33.0	58.0	148.0
RL 630-8		M8	8.4	35.0	63.8	33.0	33.0	58.0	148.0
RL 630-10		M10	10.5	35.0	63.8	33.0	33.0	58.0	148.0
RL 630-12		M12	13.0	35.0	63.8	33.0	33.0	58.0	148.0
RL 630-14		M14	14.5	35.0	63.8	33.0	33.0	58.0	148.0
RL 630-16		M16	17.0	35.0	63.8	33.0	33.0	58.0	148.0
RL 630-18		M18	19.0	35.0	63.8	33.0	33.0	58.0	148.0
RL 630-20		M20	21.0	35.0	63.8	33.0	33.0	58.0	148.0
RL 630-BL		-	-	35.0	63.8	-	-	58.0	148.0
RL 800-8 *	800	M8	8.4	39.0	72.0	30.0	35.5	78.0	170.0
RL 800-10 *		M10	10.5	39.0	72.0	30.0	35.5	78.0	170.0
RL 800-12 *		M12	13.0	39.0	72.0	30.0	35.5	78.0	170.0
RL 800-14 *		M14	14.5	39.0	72.0	30.0	35.5	78.0	170.0
RL 800-16 *		M16	17.0	39.0	72.0	30.0	35.5	78.0	170.0
RL 800-20 *		M20	21.0	39.0	72.0	30.0	35.5	78.0	170.0
RL 800-BL *		-	-	39.0	72.0	-	-	78.0	170.0
RL 1000-12*	1000	M12	13.0	43.0	79.0	88.0	-	90.0	200.0
RL 1000-14*		M14	14.5	43.0	79.0	88.0	-	90.0	200.0
RL 1000-16*		M16	17.0	43.0	79.0	88.0	-	90.0	200.0
RL 1000-20*		M20	21.0	43.0	79.0	88.0	-	90.0	200.0
RL 1000-BL*		-	-	43.0	79.0	88.0	-	90.0	200.0

*Non-UL

Technical Data : One-Hole Lugs - MEA Series For Copper Conductors, Conductor Range 35 - 800 sq mm



Characteristics

- Durable lugs upto 11Kv application
- Annealed material optimizes material and crimping properties
- Flat contact surface and precise stud holes as per the Metric standard

Material

- High Conductivity ETP-Copper

Finish

- Electro Tin Plated

Catalogue Code	Nominal Cross Section sq mm	Bolt Size	Dimensions (mm)						
			Stud Hole	Barrel ID	Palm Width	Stud Centre Distance		Barrel Length	Total Length
			ØE	ØA	D	G	H	B	J
RLL 35-6	35	M6	6.5	8	15	9	9	13.5	37
RLL 35-8		M8	8.4	8	15	9	9	13.5	37
RLL 35-10		M10	10.5	8	15	9	9	13.5	37
RLL 35-12		M12	13	8	18	10	12	13.5	41
RLL 35-16		M16	17	8	22	14	16	13.5	50
RLL 50-6		M6	6.5	9.2	16	9	10	17	42
RLL 50-8	M8	8.4	9.2	16	9	10	17	42	
RLL 50-10	M10	10.5	9.2	16	9	10	17	42	
RLL 50-12	M12	13	9.2	20	10	12	17	45	
RLL 50-14	M14	14.5	9.2	22	15	15	18	54	
RLL 50-16	M16	17	9.2	22	15	15	18	54	
RLL 50-20	M20	21	9.2	26	18	18	18	60	
RLL 70-6	M6	6.5	11.5	20	11	11	18.5	47	
RLL 70-8	M8	8.4	11.5	20	11	11	18.5	47	
RLL 70-10	M10	10.5	11.5	20	11	11	18.5	47	
RLL 70-12	M12	13	11.5	20	11	11	18.5	47	
RLL 70-14	M14	14.5	11.5	20	14	15	18.5	55	
RLL 70-16	M16	17	11.5	20	14	16	18.5	56	
RLL 70-20	M20	21	11.5	20	16	18	18.5	63	
RLL 95-6	M6	6.5	12.8	23	12	13	21	53	
RLL 95-8	M8	8.4	12.8	23	12	13	21	53	
RLL 95-10	M10	10.5	12.8	23	12	13	21	53	
RLL 95-12	M12	13	12.8	23	12	13	21	53	
RLL 95-14	M14	14.5	12.8	23	14	15	22	55	
RLL 95-16	M16	17	12.8	23	14	16	22	56	
RLL 95-20	M20	21	12.8	23	15	16	22	63	
RLL 95-BL	-	-	-	12.8	23	15	16	22	63

Continued...

Technical Data :

RLL - One-Hole Lugs - MEA Series ...Continued

Catalogue Code	Nominal Cross Section sq mm	Bolt Size	Dimensions (mm)						
			Stud Hole	Barrel ID	Palm Width	Stud Centre Distance		Barrel Length	Total Length
						ØE	ØA		
RLL 120-8	120	M8	8.4	14.8	26	13	14	23	60
RLL 120-10		M10	10.5	14.8	26	13	14	23	60
RLL 120-12		M12	13	14.8	26	13	14	23	60
RLL 120-14		M14	14.5	14.8	26	13	14	23	60
RLL 120-16		M16	17	14.8	26	16	16	23	64
RLL 120-20		M20	21	14.8	26	16	20	23	68
RLL 120-BL		-	-	-	14.8	26	16	20	23
RLL 150-8	150	M8	8.4	16	28	16	16	27	70
RLL 150-10		M10	10.5	16	28	16	16	27	70
RLL 150-12		M12	13	16	28	16	16	27	70
RLL 150-14		M14	14.5	16	28	16	16	27	70
RLL 150-16		M16	17	16	28	16	16	27	70
RLL 150-18		M18	19	16	28	16	16	27	73
RLL 150-20		M20	21	16	28	16	16	27	73
RLL 150-BL	-	-	-	16	28	16	16	27	73
RLL 185-8	185	M8	8.4	18	32	17	19	32	80
RLL 185-10		M10	10.5	18	32	17	19	32	80
RLL 185-12		M12	13	18	32	17	19	32	80
RLL 185-14		M14	14.5	18	32	17	19	32	80
RLL 185-16		M16	17	18	32	17	19	32	80
RLL 185-18		M18	19	18	32	17	19	32	80
RLL 185-20		M20	21	18	32	17	19	32	80
RLL 185-BL	-	-	-	18	32	17	19	32	80
RLL 240-8	240	M8	8.4	22	38	20	21	39	94
RLL 240-10		M10	10.5	22	38	20	21	39	94
RLL 240-12		M12	13	22	38	20	21	39	94
RLL 240-14		M14	14.5	22	38	20	21	39	94
RLL 240-16		M16	17	22	38	20	21	39	94
RLL 240-18		M18	19	22	38	20	21	39	94
RLL 240-20		M20	21	22	38	20	21	39	94
RLL 240-BL	-	-	-	22	38	20	21	39	94
RLL 300-8	300	M8	8.4	24	42	22	23	42	102
RLL 300-10		M10	10.5	24	42	22	23	42	102
RLL 300-12		M12	13	24	42	22	23	42	102
RLL 300-14		M14	14.5	24	42	22	23	42	102
RLL 300-16		M16	17	24	42	22	23	42	102
RLL 300-18		M18	19	24	42	22	23	42	102
RLL 300-20		M20	21	24	42	22	23	42	102
RLL 300-BL	-	-	-	24	42	-	-	42	102
RLL 400-8	400	M8	8.4	28	49	25	25	45	112
RLL 400-10		M10	10.5	28	49	25	25	45	112
RLL 400-12		M12	13	28	49	25	25	45	112
RLL 400-14		M14	14.5	28	49	25	25	45	112
RLL 400-16		M16	17	28	49	25	25	45	112
RLL 400-18		M18	19	28	49	25	25	45	112
RLL 400-20		M20	21	28	49	25	25	45	112
RLL 400-BL	-	-	-	28	49	-	-	45	112

Continued...

*Non-UL

Technical Data :

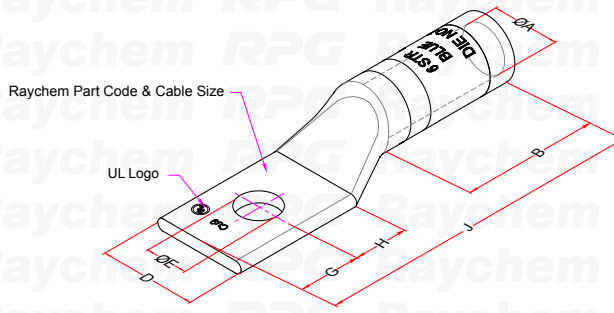
RLL - One-Hole Lugs - Low Voltage with MEA Series ...Continued

Catalogue Code	Nominal Cross Section sq mm	Bolt Size	Dimensions (mm)						
			Stud Hole	Barrel ID	Palm Width	Stud Centre Distance		Barrel Length	Total Length
			ØE	ØA	D	G	H	B	J
RLL 500-8	500	M8	8.4	30	53	27	27	50	121
RLL 500-10		M10	10.5	30	53	27	27	50	121
RLL 500-12		M12	13	30	53	27	27	50	121
RLL 500-14		M14	14.5	30	53	27	27	50	121
RLL 500-16		M16	17	30	53	27	27	50	121
RLL 500-18		M18	19	30	53	27	27	50	121
RLL 500-20		M20	21	30	53	27	27	50	121
RLL 500-BL		-	-	30	53	-	-	50	121
RLL 630-8	630	M8	8.4	35	61	25	25	70	144
RLL 630-10		M10	10.5	35	61	25	25	70	144
RLL 630-12		M12	13	35	61	25	25	70	144
RLL 630-14		M14	14.5	35	61	25	25	70	144
RLL 630-16		M16	17	35	61	25	25	70	144
RLL 630-18		M18	19	35	61	25	25	70	144
RLL 630-20*		M20	21	35	61	25	25	70	144
RLL 630-BL		-	-	35	61	-	-	70	144
RLL 800-16*	800	M16	17	39	67	32.0	32.0	78	170
RLL 800-20*		M20	21	39	67	32.0	32.0	78	170
RLL 800-BL*		-	-	39	67	-	-	78	170

Technical Data :

One-Hole Lugs - Standard Barrel

For Copper Conductors, Conductor Range 8 - 1000 AWG



Characteristics

- Standard barrel used in regular electrical applications.
- Seamless, one piece copper construction with tin plating assures maximum conductivity and avoids oxidation of copper
- The copper conductivity of the lugs is => 97% IACS and purity = 99.9% min.

Order Info

Also available with Inspection Window, Add Suffix

B – With inspection window

Material

- High Conductivity ETP-Copper

Finish

- Electro Tin Plated

Catalogue Code	Nominal Cross Section (AWG / sq mm)		Dimensions (mm)				
			Stud Hole	Barrel ID	Palm Width	Barrel Length	Total Length
	AWG	sq mm	ØE	ØA	D	B	J
ASB 8-#10	8	10	5.2	4.4	11.2	11.2	32.0
ASB 8-1/4			6.8	4.4	11.2	11.2	32.0
ASB 8-5/16			8.4	4.4	13.2	11.2	35.1
ASB 8-3/8			10.2	4.4	14.7	11.2	38.4
ASB 6-8-10	6	16	4.5	5.0	10.4	13.7	30.0
ASB 6-#10			5.2	5.0	10.4	13.7	30.0
ASB 6-1/4			6.8	5.0	11.4	13.7	30.0
ASB 6-5/16			8.4	5.0	13.2	13.7	33.0
ASB 6-3/8			10.2	5.0	16.0	13.7	33.0
ASB 4-8-10	4	25	4.5	6.3	12.7	20.6	40.1
ASB 4-1/4			6.8	6.3	12.7	20.6	44.2
ASB 4-5/16			8.4	6.3	14.7	20.6	48.8
ASB 4-3/8			10.2	6.3	14.7	20.6	48.8
ASB 4-1/2			13.2	6.3	18.0	20.6	55.9
ASB 2-1/4	2	35	6.8	7.8	15.5	22.4	48.3
ASB 2-5/16			8.4	7.8	15.5	22.4	48.3
ASB 2-3/8			10.2	7.8	15.5	22.4	52.3
ASB 2-1/2			13.2	7.8	18.5	22.4	58.9
ASB 1-1/4	1	42	6.8	9.0	17.3	22.4	58.4
ASB 1-5/16			8.4	9.0	17.3	22.4	48.3
ASB 1-3/8			10.2	9.0	17.3	22.4	53.3
ASB 1-1/2			13.2	9.0	18.5	22.4	60.2

Continued...

*Non-UL

Technical Data :

ASB One-Hole Lugs - Standard Barrel ...Continued

For Copper Conductors, Conductor Range 8 - 1000 AWG

Catalogue Code	Nominal Cross Section (AWG / sq mm)		Dimensions (mm)				
			Stud Hole	Barrel ID	Palm Width	Barrel Length	Total Length
	AWG	sq mm	ØE	ØA	D	B	J
ASB 1/0-1/4	1/0	50	6.8	9.9	19.1	22.4	50.8
ASB 1/0-5/16			8.4	9.9	19.1	22.4	50.8
ASB 1/0-3/8			10.2	9.9	19.1	22.4	53.1
ASB 1/0-1/2			13.2	9.9	19.1	22.4	59.4
ASB 2/0-1/4	2/0	70	6.8	11.3	20.8	23.9	49.3
ASB 2/0-5/16			8.4	11.3	15.7	23.9	66.5
ASB 2/0-3/8			10.2	11.3	20.8	23.9	55.6
ASB 2/0-1/2			13.2	11.3	20.8	23.9	62.0
ASB 2/0-3/4			20.0	11.3	24.4	23.9	75.2
ASB 3/0-5/16	3/0	95	8.4	12.4	23.1	25.4	54.9
ASB 3/0-3/8			10.2	12.4	23.1	25.4	58.4
ASB 3/0-1/2			13.2	12.4	23.1	25.4	64.5
ASB 4/0-1/4	4/0	120	6.8	14.2	25.4	22.4	50.8
ASB 4/0-5/16			8.4	14.2	25.4	22.4	55.9
ASB 4/0-3/8			10.2	14.2	25.4	22.4	55.9
ASB 4/0-1/2			13.2	14.2	25.4	22.4	62.5
ASB 4/0-3/4			20.0	14.2	26.7	22.4	55.9
ASB 250-1/4	250	135	6.8	15.1	27.7	26.9	55.9
ASB 250-5/16			8.4	15.1	27.7	26.9	55.9
ASB 250-3/8			10.2	15.1	27.7	26.9	61.5
ASB 250-1/2			13.2	15.1	27.7	26.9	67.8
ASB 300-5/16	300	150	8.4	16.5	30.5	26.2	58.4
ASB 300-3/8			10.2	16.5	30.5	26.2	58.4
ASB 300-1/2			13.2	16.5	30.5	26.2	68.6
ASB 300-5/8			16.8	16.5	30.5	26.2	73.7
ASB 300-7/8			23.2	16.5	30.5	26.2	86.4
ASB 350-3/8	350	185	10.2	17.8	32.8	26.9	63.5
ASB 350-1/2			13.2	17.8	32.8	32.8	69.9
ASB 350-5/8			16.8	17.8	32.8	32.8	76.2
ASB 350-7/8			23.2	17.8	32.8	32.8	101.6
ASB 400-3/8	400	200	10.2	19.3	35.1	30.2	68.6
ASB 400-1/2			13.2	19.3	35.6	30.2	74.4
ASB 400-5/8			16.8	19.3	35.1	30.2	81.3
ASB 400-7/8			23.2	19.3	35.6	30.2	91.4

Continued...

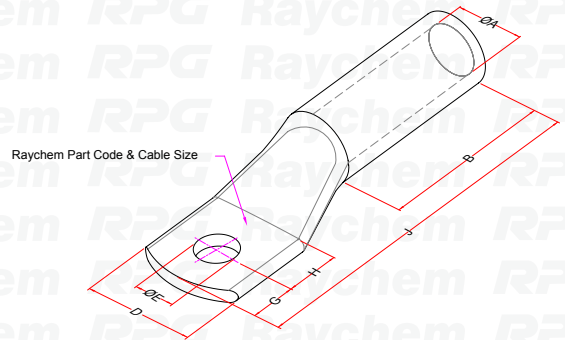
Technical Data :

ASB One-Hole Lugs - Standard Barrel ...Continued

For Copper Conductors, Conductor Range 8 - 1000 AWG

Catalogue Code	Nominal Cross Section (AWG / sq mm)		Dimensions (mm)				
			Stud Hole	Barrel ID	Palm Width	Barrel Length	Total Length
	AWG	sq mm	ØE	ØA	D	B	J
ASB 500-3/8	500	240	10.2	21.1	39.1	32.3	73.7
ASB 500-1/2			13.2	21.1	39.1	32.3	79.2
ASB 500-5/8			16.8	21.1	39.1	32.3	86.4
ASB 500-3/4			20.0	21.1	39.1	32.3	91.4
ASB 500-7/8			23.2	21.1	39.1	32.3	96.5
ASB 600-1/2	600	300	13.2	23.4	43.4	35.1	83.8
ASB 600-5/8			16.8	23.4	43.4	35.1	94.0
ASB 600-3/4			20.0	23.4	43.4	35.1	94.0
ASB 650-1/2	650	350	13.2	24.3	44.8	36.1	85.0
ASB 650-5/8			16.8	24.3	44.8	36.1	91.0
ASB 650-7/8			23.2	24.3	44.8	36.1	100.0
ASB 750-1/2	750	400	13.2	26.2	48.0	36.1	86.6
ASB 750-5/8			16.8	26.2	48.0	36.1	93.2
ASB 750-7/8			23.2	26.2	48.0	36.1	104.1
ASB 1000-1/2	1000	500	13.2	29.72	55.6	41.9	101.6
ASB 1000-5/8			16.8	29.72	55.6	41.9	101.6
ASB 1000-1			26.4	29.72	55.6	41.9	120.1

Technical Data : One-Hole Lugs - Standard Barrel – Euro Series For Copper Conductors, Conductor Range 1.5 - 400 Sq mm



Characteristics

- Annealed material optimizes material and crimping properties
- Flat contact surface and precise stud holes as per the Metric standard

Material

- High Conductivity ETP Copper

Finish

- Electro Tin Plated

Catalogue Code	Nominal Cross Section Sq mm	Bolt Size	Dimensions (mm)						
			Stud Hole	Barrel ID	Palm Width	Stud Centre Distance		Barrel Length	Total Length
			ØE	ØA	D	G	H	B	J
RK 1.5 - 3	1.5	M3	3.2	1.8	6.5	3.3	4.0	6.0	15.3
RK 1.5 - 4		M4	4.3	1.8	6.5	4.0	5.0	6.0	17.0
RK 1.5 - 5		M5	5.3	1.8	7.5	4.8	5.5	6.0	18.8
RK 1.5 - 6		M6	6.5	1.8	9.0	6.5	6.5	6.0	22.5
RK 2.5 - 3	2.5	M3	3.2	2.3	7.5	3.3	4.0	6.0	15.3
RK 2.5 - 4		M4	4.3	2.3	7.5	4.0	5.0	6.0	17.0
RK 2.5 - 5		M5	5.3	2.3	8.5	4.8	5.5	6.0	18.8
RK 2.5 - 6		M6	6.5	2.3	9.5	6.5	6.5	6.0	22.5
RK 2.5 - 8		M8	8.5	2.3	13.0	7.8	9.5	6.0	27.8
RK 4 - 4	4	M4	4.3	3.0	8.5	4.8	5.5	8.0	22.8
RK 4 - 5		M5	5.3	3.0	9.5	4.8	6.0	8.0	22.8
RK 4 - 6		M6	6.5	3.0	10.0	6.5	6.5	8.0	25.5
RK 4 - 8		M8	8.5	3.0	13.0	8.5	9.5	8.0	30.5
RK 6 - 5	6	M5	5.5	3.5	10.0	6.5	7.5	9.0	27.5
RK 6 - 6		M6	6.5	3.5	12.0	6.5	7.5	9.0	27.5
RK 6 - 8		M8	8.5	3.5	15.0	10.0	10.0	9.0	33.0
RK 6 - 10		M10	10.5	3.5	17.0	12.0	12.0	9.0	37.0
RK 6 - 12		M12	13.0	3.5	19.0	13.0	13.0	9.0	41.0
RK 10 - 5	10	M5	5.5	4.5	12.0	6.5	7.5	10.0	28.5
RK 10 - 6		M6	6.5	4.5	12.0	6.5	7.5	10.0	28.5
RK 10 - 8		M8	8.5	4.5	15.0	10.0	10.0	10.0	35.0
RK 10 - 10		M10	10.5	4.5	17.0	12.0	12.0	10.0	39.0
RK 10 - 12		M12	13.0	4.5	19.0	13.0	13.0	10.0	42.0

Continued...

Technical Data :

RK One-Hole Lugs - Standard Barrel – Euro Series ...Continued

Catalogue Code	Nominal Cross Section Sq mm	Bolt Size	Dimensions (mm)						
			Stud Hole	Barrel ID	Palm Width	Stud Centre Distance		Barrel Length	Total Length
						ØE	ØA		
RK 16 - 5	16	M5	5.5	5.5	12.0	5.5	6.5	13.0	31.5
RK 16 - 6		M6	6.5	5.5	12.0	6.3	7.5	13.0	33.3
RK 16 - 8		M8	8.5	5.5	15.0	8.5	9.5	13.0	37.5
RK 16 - 10		M10	10.5	5.5	17.0	10.5	11.5	13.0	41.5
RK 16 - 12		M12	13.0	5.5	19.0	12.0	13.0	13.0	45.0
RK 25 - 5	25	M5	5.5	7.0	14.0	7.5	7.5	15.0	37.5
RK 25 - 6		M6	6.5	7.0	14.0	7.5	7.5	15.0	37.5
RK 25 - 8		M8	8.5	7.0	16.0	10.0	10.0	15.0	42.0
RK 25 - 10		M10	10.5	7.0	18.0	12.0	12.0	15.0	46.0
RK 25 - 12		M12	13.0	7.0	19.0	13.0	13.0	15.0	48.0
RK 25 - 14		M14	15.0	7.0	21.0	14.5	14.5	15.0	52.5
RK 35 - 6	35	M6	6.5	8.5	17.0	7.5	7.5	17.0	39.5
RK 35 - 8		M8	8.5	8.5	17.0	10.0	10.0	17.0	44.0
RK 35 - 10		M10	10.5	8.5	19.0	12.0	12.0	17.0	49.0
RK 35 - 12		M12	13.0	8.5	21.0	13.0	13.0	17.0	51.0
RK 35 - 14		M14	15.0	8.5	21.0	14.5	14.5	17.0	54.5
RK 35 - 16		M16	17.0	8.5	26.0	16.0	16.0	17.0	58.0
RK 50 - 6	50	M6	6.5	10.0	20.0	10.0	10.0	19.0	47.0
RK 50 - 8		M8	8.5	10.0	20.0	10.0	10.0	19.0	47.0
RK 50 - 10		M10	10.5	10.0	20.0	12.0	12.0	19.0	51.0
RK 50 - 12		M12	13.0	10.0	23.0	13.0	13.0	19.0	56.0
RK 50 - 14		M14	15.0	10.0	23.0	14.5	14.5	19.0	59.5
RK 50 - 16		M16	17.0	10.0	28.0	16.0	16.0	19.0	62.0
RK 50 - 20	M20	21.0	10.0	30.0	19.0	19.0	19.0	67.0	
RK 70 - 6	70	M6	6.5	12.0	23.0	10.0	10.0	21.0	53.0
RK 70 - 8		M8	6.5	12.0	23.0	10.0	10.0	21.0	53.0
RK 70 - 10		M10	10.5	12.0	23.0	12.0	12.0	21.0	56.0
RK 70 - 12		M12	13.0	12.0	23.0	13.0	13.0	21.0	59.0
RK 70 - 14		M14	15.0	12.0	23.0	14.5	14.5	21.0	62.5
RK 70 - 16		M16	17.0	12.0	28.0	16.0	16.0	21.0	66.0
RK 70 - 20	M20	21.0	12.0	30.0	19.0	19.0	21.0	72.0	
RK 95 - 8	95	M8	8.5	13.5	26.0	12.0	12.0	25.0	60.0
RK 95 - 10		M10	10.5	13.5	26.0	12.0	12.0	25.0	60.0
RK 95 - 12		M12	13.0	13.5	26.0	13.0	13.0	25.0	62.0
RK 95 - 14		M14	15.0	13.5	26.0	14.5	14.5	25.0	65.5
RK 95 - 16		M16	17.0	13.5	28.0	16.0	16.0	25.0	70.0
RK 95 - 20		M20	21.0	13.5	36.0	22.0	22.0	25.0	82.0
RK 120 - 8	120	M8	8.5	15.0	28.0	14.0	14.0	26.0	65.0
RK 120 - 10		M10	10.5	15.0	28.0	14.0	14.0	26.0	65.0
RK 120 - 12		M12	13.0	15.0	28.0	14.0	14.0	26.0	65.0
RK 120 - 14		M14	15.0	15.0	28.0	15.0	15.0	26.0	67.0
RK 120 - 16		M16	17.0	15.0	30.0	16.0	16.0	26.0	70.0
RK 120 - 20		M20	21.0	15.0	36.0	22.0	22.0	26.0	85.0

Continued...

Technical Data :

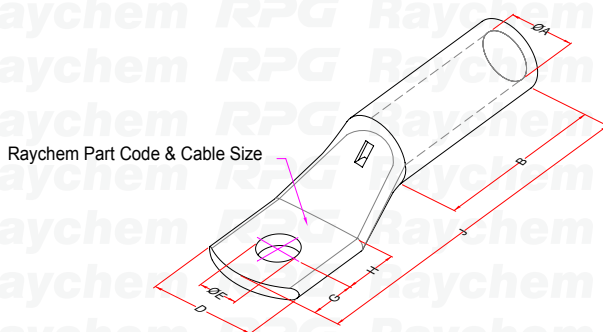
RK One-Hole Lugs - Standard Barrel ...Continued

Catalogue Code	Nominal Cross Section Sq mm	Bolt Size	Dimensions (mm)						
			Stud Hole	Barrel ID	Palm Width	Stud Centre Distance		Barrel Length	Total Length
			ØE	ØA	D	G	H	B	J
RK 150 - 8	150	M8	8.5	16.5	31.0	14.0	14.0	30.0	79.0
RK 150 - 10		M10	10.5	16.5	31.0	14.0	14.0	30.0	79.0
RK 150 - 12		M12	13.0	16.5	31.0	15.0	15.0	30.0	80.0
RK 150 - 14		M14	15.0	16.5	31.0	15.0	15.0	30.0	80.0
RK 150 - 16		M16	17.0	16.5	31.0	16.0	16.0	30.0	81.0
RK 150 - 20		M20	21.0	16.5	36.0	22.0	22.0	30.0	91.0
RK 185 - 10	185	M10	10.5	19.0	35.0	18.0	18.0	30.0	83.0
RK 185 - 12		M12	13.0	19.0	35.0	18.0	18.0	30.0	83.0
RK 185 - 14		M14	15.0	19.0	35.0	18.0	18.0	30.0	83.0
RK 185 - 16		M16	17.0	19.0	35.0	18.0	18.0	30.0	83.0
RK 185 - 20		M20	21.0	19.0	39.0	22.0	22.0	30.0	91.0
RK 240 - 10	240	M10	10.5	21.0	39.0	21.5	19.0	35.0	93.5
RK 240 - 12		M12	13.0	21.0	39.0	21.5	19.0	35.0	93.5
RK 240 - 14		M14	15.0	21.0	39.0	21.5	19.0	35.0	93.5
RK 240 - 16		M16	17.0	21.0	39.0	21.5	19.0	35.0	93.5
RK 240 - 20		M20	21.0	21.0	39.0	21.5	19.0	35.0	93.5
RK 300 - 12	300	M12	13.0	23.5	43.0	24.0	24.0	44.0	111.0
RK 300 - 14		M14	15.0	23.5	43.0	24.0	24.0	44.0	111.0
RK 300 - 16		M16	17.0	23.5	43.0	24.0	24.0	44.0	111.0
RK 300 - 20		M20	21.0	23.5	43.0	24.0	24.0	44.0	111.0
RK 400 - 12	400	M12	13.0	27.0	49.0	24.0	24.0	44.0	114.0
RK 400 - 14		M14	15.0	27.0	49.0	24.0	24.0	44.0	114.0
RK 400 - 16		M16	17.0	27.0	49.0	24.0	24.0	44.0	114.0
RK 400 - 20		M20	21.0	27.0	49.0	24.0	24.0	44.0	114.0

Technical Data :

One-Hole Lugs - Standard Barrel – Euro Series

For Copper Conductors, Conductor Range 1.5 - 630 Sq mm



Characteristics

- Annealed material optimizes material and crimping properties
- Flat contact surface and precise stud holes as per the Metric standard

Material

- High Conductivity ETP Copper

Finish

- Electro Tin Plated

Catalogue Code	Nominal Cross Section Sq mm	Bolt Size	Dimensions (mm)						
			Stud Hole	Barrel ID	Palm Width	Stud Centre Distance		Barrel Length	Total Length
			ØE	ØA	D	G	H	B	J
RC 1.5-3	1.5	M3	3.2	1.8	6.0	3.5	4.5	6.0	16.0
RC 1.5-3.5		M3.5	3.7	1.8	6.5	3.5	4.5	6.0	16.0
RC 1.5-4		M4	4.3	1.8	6.5	4.0	5.0	6.0	17.0
RC 1.5-5		M5	5.2	1.8	7.5	4.5	5.5	6.0	18.0
RC 1.5-6		M6	6.5	1.8	9.0	5.0	6.0	6.0	19.0
RC 2.5-3		2.5	M3	3.2	2.4	6.0	3.5	4.5	7.0
RC 2.5-3.5	M3.5		3.7	2.4	6.5	3.5	4.5	7.0	17.0
RC 2.5-4	M4		4.3	2.4	7.5	4.0	5.0	7.0	19.0
RC 2.5-5	M5		5.2	2.4	8.5	4.5	5.5	7.0	19.0
RC 2.5-6	M6		6.5	2.4	9.0	5.0	6.0	7.0	21.0
RC 2.5-8	M8		8.4	2.4	12.0	8.0	9.0	7.0	26.0
RC 4-6-3	4-6		M3	3.2	3.6	7.5	3.5	4.5	10.0
RC 4-6-3.5		M3.5	3.7	3.6	7.5	3.5	4.5	10.0	20.5
RC 4-6-4		M4	4.3	3.6	8.0	4.0	5.0	10.0	21.5
RC 4-6-5		M5	5.2	3.6	9.0	6.0	6.5	10.0	25.0
RC 4-6-6		M6	6.5	3.6	11.0	6.0	7.0	10.0	25.5
RC 4-6-8		M8	8.4	3.6	14.0	8.0	9.0	10.0	29.5
RC 4-6-10		M10	10.5	3.6	16.5	10.0	11.0	10.0	33.5
RC 10-4	10	M4	4.3	4.6	10.0	4.0	5.0	10.0	22.5
RC 10-5		M5	5.2	4.6	10.0	6.0	6.5	10.0	26.0
RC 10-6		M6	6.5	4.6	11.0	6.0	7.0	10.0	26.5
RC 10-8		M8	8.4	4.6	15.0	8.0	9.0	10.0	30.5
RC 10-10		M10	10.5	4.6	18.0	10.0	11.0	10.0	34.5
RC 10-12		M12	13.0	4.6	19.0	12.0	14.0	10.0	39.5

Continued...

Technical Data :

RC One-Hole Lugs - Standard Barrel – Euro Series ...Continued

Catalogue Code	Nominal Cross Section Sq mm	Bolt Size	Dimensions (mm)						
			Stud Hole	Barrel ID	Palm Width	Stud Centre Distance		Barrel Length	Total Length
			ØE	ØA	D	G	H	B	J
RC 16-4	16	M4	4.3	5.7	11.5	4.0	5.0	12.0	25.0
RC 16-5		M5	5.2	5.7	11.5	6.0	6.5	12.0	28.5
RC 16-6		M6	6.5	5.7	11.5	6.0	7.0	12.0	30.0
RC 16-8		M8	8.4	5.7	15.0	8.0	9.0	12.0	33.0
RC 16-10		M10	10.5	5.7	18.0	10.0	11.0	12.0	37.0
RC 16-12		M12	13.0	5.7	20.0	12.0	14.0	12.0	42.0
RC 25-4	25	M4	4.3	6.9	14.0	4.0	5.0	12.0	28.0
RC 25-5		M5	5.3	6.9	14.0	6.0	6.5	12.0	31.5
RC 25-6		M6	6.5	6.9	14.0	6.0	7.0	12.0	30.0
RC 25-8		M8	8.4	6.9	15.0	8.0	9.0	13.0	36.0
RC 25-10		M10	10.5	6.9	18.0	10.0	11.0	13.0	40.0
RC 25-12		M12	13.0	6.9	21.0	12.0	14.0	13.0	45.0
RC 35-5	35	M5	5.3	8.8	17.0	6.0	6.5	14.0	34.0
RC 35-6		M6	6.5	8.8	17.0	6.0	7.0	14.0	34.5
RC 35-8		M8	8.4	8.8	17.0	8.0	9.0	14.0	38.5
RC 35-10		M10	10.5	8.8	19.0	10.0	11.0	14.0	42.5
RC 35-12		M12	13.0	8.8	21.0	12.0	14.0	14.0	47.5
RC 50-6	50	M6	6.5	9.9	19.0	7.0	8.0	16.0	38.0
RC 50-8		M8	8.4	9.9	19.0	8.0	9.0	16.0	40.0
RC 50-10		M10	10.5	9.9	20.0	9.5	11.5	16.0	44.0
RC 50-12		M12	13.0	9.9	21.0	12.0	12.0	16.0	47.0
RC 50-14		M14	14.5	9.9	25.0	14.0	16.0	16.0	55.5
RC 50-16		M16	17.0	9.9	26.0	16.0	18.0	16.0	59.5
RC 70-6	70	M6	6.5	11.3	21.0	7.0	8.0	18.5	44.0
RC 70-8		M8	8.4	11.3	21.0	8.0	9.0	18.5	47.0
RC 70-10		M10	10.5	11.3	21.0	10.0	11.0	18.5	50.0
RC 70-12		M12	13.0	11.3	22.0	12.0	14.0	18.5	55.0
RC 70-14		M14	14.5	11.3	25.0	14.0	16.0	18.5	59.0
RC 70-16		M16	17.0	11.3	26.0	16.0	18.0	18.5	63.0
RC 95-6	95	M6	6.5	13.4	25.0	7.0	8.0	21.0	50.0
RC 95-8		M8	8.4	13.4	25.0	8.0	9.0	21.0	52.0
RC 95-10		M10	10.5	13.4	25.0	10.0	11.0	21.0	56.5
RC 95-12		M12	13.0	13.4	25.0	12.0	14.0	21.0	61.5
RC 95-14		M14	14.5	13.4	25.0	14.0	16.0	21.0	65.0
RC 95-16		M16	17.0	13.4	27.0	16.0	18.0	21.0	69.0
RC 95-20		M20	21.0	13.4	29.5	20.0	22.0	21.0	77.0
RC 120-8	120	M8	8.4	15.2	28.5	8.0	9.0	23.0	54.0
RC 120-10		M10	10.5	15.2	28.5	10.0	11.0	23.0	58.0
RC 120-12		M12	13.0	15.2	28.5	12.0	14.0	23.0	63.0
RC 120-14		M14	14.5	15.2	28.5	14.0	16.0	23.0	67.0
RC 120-16		M16	17.0	15.2	28.5	16.0	18.0	23.0	71.0
RC 120-20		M20	21.0	15.2	30.0	20.0	22.0	23.0	79.0

Continued...

Technical Data :

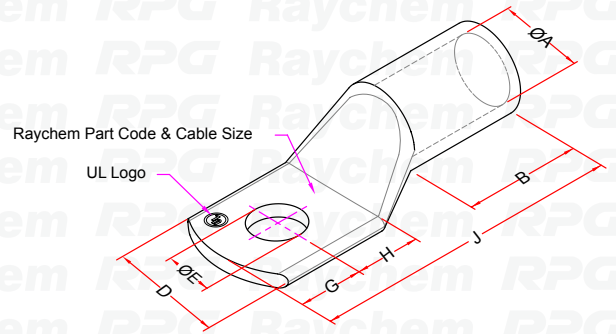
RC One-Hole Lugs - Standard Barrel – Euro Series ...Continued

Catalogue Code	Nominal Cross Section Sq mm	Bolt Size	Dimensions (mm)						
			Stud Hole	Barrel ID	Palm Width	Stud Centre Distance		Barrel Length	Total Length
			ØE	ØA	D	G	H	B	J
RC 150-8	150	M8	8.4	16.7	31.5	11.0	13.0	27.0	69.0
RC 150-10		M10	10.5	16.7	31.5	11.0	13.0	27.0	69.0
RC 150-12		M12	13.0	16.7	31.5	14.0	16.0	27.0	75.0
RC 150-14		M14	14.5	16.7	31.5	16.0	18.0	27.0	79.0
RC 150-16		M16	17.0	16.7	31.5	17.0	19.0	27.0	81.0
RC 150-20		M20	21.0	16.7	31.5	20.0	22.0	27.0	87.0
RC 185-8	185	M8	8.4	19.2	35.5	11.0	13.0	32.0	76.0
RC 185-10		M10	10.5	19.2	35.5	11.0	13.0	32.0	76.0
RC 185-12		M12	13.0	19.2	35.5	14.0	16.0	32.0	82.0
RC 185-14		M14	14.5	19.2	35.5	16.0	18.0	32.0	86.0
RC 185-16		M16	17.0	19.2	35.5	17.0	19.0	32.0	88.0
RC 185-20		M20	21.0	19.2	35.5	20.0	22.0	32.0	94.0
RC 240-8	240	M8	8.4	21.0	39.0	11.0	13.0	37.0	77.5
RC 240-10		M10	10.5	21.0	39.0	11.0	13.0	37.0	77.5
RC 240-12		M12	13.0	21.0	39.0	12.0	14.0	37.0	79.5
RC 240-14		M14	14.5	21.0	39.0	16.0	18.0	37.0	92.0
RC 240-16		M16	17.0	21.0	39.0	17.0	19.0	37.0	94.0
RC 240-20		M20	21.0	21.0	39.0	20.0	22.0	37.0	100.0
RC 300-10	300	M10	10.5	23.7	44.0	11.0	20.0	42.0	96.0
RC 300-12		M12	13.0	23.7	44.0	14.0	20.0	42.0	99.0
RC 300-14		M14	14.5	23.7	44.0	16.0	22.0	42.0	103.0
RC 300-16		M16	17.0	23.7	44.0	19.0	22.0	42.0	106.0
RC 300-20		M20	21.0	23.7	44.0	23.0	24.0	42.0	112.0
RC 400-10	400	M10	10.5	27.0	51.0	17.0	21.0	44.0	110.0
RC 400-12		M12	13.0	27.0	51.0	19.0	22.0	44.0	113.0
RC 400-14		M14	14.5	27.0	51.0	19.0	22.0	44.0	113.0
RC 400-16		M16	17.0	27.0	51.0	19.0	22.0	44.0	113.0
RC 400-20		M20	21.0	27.0	51.0	23.0	24.0	44.0	119.0
RC 500-16	500	M16	17.0	30.3	56.5	19.0	22.0	48.0	117.0
RC 500-20		M20	21.0	30.3	56.5	23.0	24.0	48.0	123.0
RC 630-10	630	M10	10.5	33.4	61.6	17.0	21.0	57.0	128.0
RC 630-12		M12	13.0	33.4	61.6	19.0	22.0	57.0	128.0
RC 630-14		M14	14.5	33.4	61.6	19.0	22.0	57.0	128.0
RC 630-16		M16	17.0	33.4	61.6	19.0	22.0	57.0	128.0
RC 630-18		M18	19.0	33.4	61.6	23.0	24.0	57.0	134.0
RC 630-20		M20	21.0	33.4	61.6	23.0	24.0	57.0	134.0

Technical Data :

One-Hole Lugs - Long Barrel

For copper conductor, Conductor Range 6 - 1000 Sq mm



Characteristics

- Longer length barrel permits extra crimps for additional assurance on heavy duty loads.
- Annealed material optimizes material and crimping properties
- Flat contact surface and precise stud holes as per the Metric standard

Material

- High Conductivity ETP-Copper

Finish

- Electro Tin Plated

Catalogue Code	Nominal Cross Section Sq mm	Bolt Size	Dimensions (mm)						
			Stud Hole	Barrel ID	Palm Width	Stud Centre Distance		Barrel Length	Total Length
			ØE	ØA	D	G	H	B	J
RLLB 6-8	6	M8	8.4	3.8	12.0	7.0	7.0	15.0	31.5
RLLB 10-8*		M8	8.4	4.5	12.0	7.0	7.0	15.0	34.0
RLLB 10-10	10	M10	10.5	4.5	12.0	10.0	10.0	15.0	40.0
RLLB 10-12*		M12	13.0	4.5	17.0	10.0	12.0	15.0	42.0
RLLB 16-6*	16	M6	6.5	5.4	12.0	7.0	7.0	18.0	35.0
RLLB 16-8		M8	8.4	5.4	12.0	7.0	7.0	18.0	35.0
RLLB 16-10		M10	10.5	5.4	15.0	7.0	7.0	18.0	35.0
RLLB 16-12		M12	13.0	5.4	17.0	7.0	7.0	18.0	35.0
RLLB 25-8	25	M8	8.4	6.8	13.0	8.0	12.0	16.0	41.0
RLLB 25-10		M10	10.5	6.8	15.0	8.0	12.0	16.0	41.0
RLLB 25-12		M12	13.0	6.8	17.0	10.0	12.0	16.0	43.0
RLLB 35-8	35	M8	8.4	8.2	16.0	9.0	14.0	20.0	48.0
RLLB 35-10		M10	10.5	8.2	16.0	9.0	14.0	20.0	48.0
RLLB 35-12		M12	13.0	8.2	16.0	9.0	14.0	20.0	48.0
RLLB 50-8	50	M8	8.4	9.5	18.0	10.0	16.0	26.0	59.0
RLLB 50-10		M10	10.5	9.5	18.0	10.0	16.0	26.0	59.0
RLLB 50-12		M12	13.0	9.5	20.0	10.0	16.0	26.0	59.0
RLLB 50-14		M14	14.5	9.5	20.0	10.0	16.0	26.0	59.0
RLLB 70-8	70	M8	8.4	11.3	21.0	12.0	19.0	28.0	66.0
RLLB 70-10		M10	10.5	11.3	21.0	12.0	19.0	28.0	66.0
RLLB 70-12		M12	13.0	11.3	21.0	12.0	19.0	28.0	66.0
RLLB 70-14		M14	14.5	11.3	22.0	12.0	19.0	28.0	66.0
RLLB 70-16		M16	17.0	11.3	22.0	14.5	16.5	28.0	66.0

Continued...

Technical Data :

RLLB One-Hole Lugs - Long Barrel ...Continued

Catalogue Code	Nominal Cross Section Sq mm	Bolt Size	Dimensions (mm)						
			Stud Hole	Barrel ID	Palm Width	Stud Centre Distance		Barrel Length	Total Length
			ØE	ØA	D	G	H	B	J
RLLB 95-8	95	M8	8.4	13.5	25.0	12.0	20.0	32.0	74.0
RLLB 95-10		M10	10.5	13.5	25.0	12.0	20.0	32.0	74.0
RLLB 95-12		M12	13.0	13.5	25.0	12.0	20.0	32.0	74.0
RLLB 95-14		M14	14.5	13.5	25.0	14.0	19.0	32.0	75.0
RLLB 95-16		M16	17.0	13.5	25.0	14.0	19.0	32.0	75.0
RLLB 95-18		M18	19.0	13.5	25.0	14.0	19.0	32.0	75.0
RLLB 95-BL		-	-	-	13.5	25.0	14.0	19.0	32.0
RLLB 120-8	120	M8	8.4	15.0	28.0	14.0	23.0	35.0	82.0
RLLB 120-10		M10	10.5	15.0	28.0	14.0	23.0	35.0	82.0
RLLB 120-12		M12	13.0	15.0	28.0	14.0	23.0	35.0	82.0
RLLB 120-14		M14	14.5	15.0	28.0	14.0	23.0	35.0	82.0
RLLB 120-16		M16	17.0	15.0	28.0	14.0	23.0	35.0	82.0
RLLB 120-18		M18	19.0	15.0	28.0	14.0	23.0	35.0	82.0
RLLB 120-20		M20	21.0	15.0	28.0	14.0	23.0	35.0	82.0
RLLB 120-BL	-	-	-	15.0	28.0	14.0	23.0	35.0	82.0
RLLB 150-8	150	M8	8.4	16.5	30.0	14.0	24.0	38.0	86.0
RLLB 150-10		M10	10.5	16.5	30.0	14.0	24.0	38.0	86.0
RLLB 150-12		M12	13.0	16.5	30.0	14.0	24.0	38.0	86.0
RLLB 150-14		M14	14.5	16.5	30.0	14.0	24.0	38.0	86.0
RLLB 150-16		M16	17.0	16.5	30.0	14.0	24.0	38.0	86.0
RLLB 150-18		M18	19.0	16.5	30.0	14.0	24.0	38.0	86.0
RLLB 150-20		M20	21.0	16.5	30.0	14.0	24.0	38.0	86.0
RLLB 150-BL	-	-	-	16.5	30.0	14.0	24.0	38.0	86.0
RLLB 185-8	185	M8	8.4	18.5	34.0	17.0	23.0	43.0	95.0
RLLB 185-10		M10	10.5	18.5	34.0	17.0	23.0	43.0	95.0
RLLB 185-12		M12	13.0	18.5	34.0	17.0	23.0	43.0	95.0
RLLB 185-14		M14	14.5	18.5	34.0	17.0	23.0	43.0	95.0
RLLB 185-16		M16	17.0	18.5	34.0	17.0	23.0	43.0	95.0
RLLB 185-18		M18	19.0	18.5	34.0	17.0	23.0	43.0	95.0
RLLB 185-20		M20	21.0	18.5	34.0	17.0	23.0	43.0	95.0
RLLB 185-BL	-	-	-	18.5	34.0	17.0	23.0	43.0	95.0
RLLB 240-8	240	M8	8.4	21.0	38.0	20.0	30.0	50.0	112.0
RLLB 240-10		M10	10.5	21.0	38.0	20.0	30.0	50.0	112.0
RLLB 240-12		M12	13.0	21.0	38.0	20.0	30.0	50.0	112.0
RLLB 240-14		M14	14.5	21.0	38.0	20.0	30.0	50.0	117.0
RLLB 240-16		M16	17.0	21.0	38.0	20.0	30.0	50.0	117.0
RLLB 240-18		M18	19.0	21.0	38.0	20.0	30.0	50.0	117.0
RLLB 240-20		M20	21.0	21.0	38.0	20.0	30.0	50.0	117.0
RLLB 240-BL	-	-	-	21.0	38.0	20.0	30.0	50.0	117.0

Continued...

*Non-UL

Technical Data :

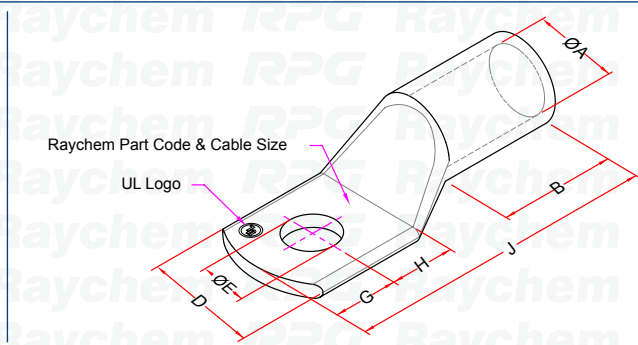
RLLB One-Hole Lugs - Long Barrel ...Continued

Catalogue Code	Nominal Cross Section Sq mm	Bolt Size	Dimensions (mm)						
			Stud Hole	Barrel ID	Palm Width	Stud Centre Distance		Barrel Length	Total Length
			ØE	ØA	D	G	H	B	J
RLLB 300-10	300	M10	10.5	23.5	43.0	20.0	32.0	54.0	120.0
RLLB 300-12		M12	13.0	23.5	43.0	20.0	32.0	54.0	120.0
RLLB 300-14		M14	14.5	23.5	43.0	20.0	32.0	54.0	120.0
RLLB 300-16		M16	17.0	23.5	43.0	20.0	32.0	54.0	120.0
RLLB 300-18		M18	19.0	23.5	43.0	20.0	32.0	54.0	120.0
RLLB 300-20		M20	21.0	23.5	43.0	20.0	32.0	54.0	120.0
RLLB 300-BL		-	-	-	23.5	43.0	20.0	32.0	54.0
RLLB 400-10	400	M10	10.5	28.5	52.5	22.0	34.0	62.0	134.0
RLLB 400-12		M12	13.0	28.5	52.5	22.0	34.0	62.0	134.0
RLLB 400-14		M14	14.5	28.5	52.5	22.0	34.0	62.0	134.0
RLLB 400-16		M16	17.0	28.5	52.5	22.0	34.0	62.0	134.0
RLLB 400-18		M18	19.0	28.5	52.5	22.0	34.0	62.0	134.0
RLLB 400-20		M20	21.0	28.5	52.5	22.0	34.0	62.0	134.0
RLLB 400-BL		-	-	-	28.5	52.5	22.0	34.0	62.0
RLLB 500-10	500	M10	10.5	30.0	56.0	28.0	28.0	69.0	145.0
RLLB 500-12		M12	13.0	30.0	56.0	28.0	28.0	69.0	145.0
RLLB 500-14		M14	14.5	30.0	56.0	28.0	28.0	69.0	145.0
RLLB 500-16		M16	17.0	30.0	56.0	28.0	28.0	69.0	145.0
RLLB 500-18		M18	19.0	30.0	56.0	28.0	28.0	69.0	145.0
RLLB 500-20		M20	21.0	30.0	56.0	28.0	28.0	69.0	145.0
RLLB 500-18		M18	-	-	30.0	56.0	28.0	28.0	69.0
RLLB 630-10	630	M10	10.5	35.0	63.8	30.0	30.0	78.0	158.0
RLLB 630-12		M12	13.0	35.0	63.8	30.0	30.0	78.0	158.0
RLLB 630-14		M14	14.5	35.0	63.8	30.0	30.0	78.0	158.0
RLLB 630-16		M16	17.0	35.0	63.8	30.0	30.0	78.0	158.0
RLLB 630-18		M18	19.0	35.0	63.8	30.0	30.0	78.0	158.0
RLLB 630-20		M20	21.0	35.0	63.8	30.0	30.0	78.0	158.0
RLLB 630-BL		-	-	-	35.0	63.8	30.0	30.0	78.0
RLLB 800-16*	800	M16	17.0	39.0	72.0	30.0	30.0	97.0	187.0
RLLB 1000-10*	1000	M10	10.5	44.0	79.0	23.0	24.0	126.0	202.0
RLLB 1000-12*		M12	13.0	44.0	79.0	23.0	24.0	126.0	202.0
RLLB 1000-14*		M14	14.5	44.0	79.0	23.0	24.0	126.0	202.0
RLLB 1000-16*		M16	17.0	44.0	79.0	23.0	24.0	126.0	202.0
RLLB 1000-20*		M20	21.0	44.0	79.0	23.0	24.0	126.0	202.0
RLLB 1000-BL*		-	-	-	44.0	79.0	23.0	24.0	126.0

Technical Data :

One-Hole Lugs - Long Extended Barrel

For Copper Conductors, Conductor Range 10 - 500 Sq. mm



Characteristics

- Extended longer length barrel permits extra crimps for additional assurance and throughout connection of heavy duty loads.
- Annealed material optimizes material and crimping properties
- Flat contact surface and precise stud holes as per the Metric standard

Material

- High Conductivity ETP-Copper

Finish

- Electro Tin Plate

Order Info

Also available with Inspection Window, Add Suffix

- A - Without Window
- B - With Window
- C - With Rectangular Notch
- D - Without Window & Flare Barrel Entry
- E - With Window & Flare Barrel Entry
- F - With Rectangular Notch & Flare Barrel Entry

Catalogue Code	Nominal Cross Section Sq mm	Bolt Size	Dimensions (mm)						
			Stud Hole	Barrel ID	Palm Width	Stud Centre Distance		Barrel Length	Total Length
			ØE	ØA	D	G	H	B	J
RLLBE-10-5 - A	10	M5	5.5	4.5	11.0	6.0	7.0	18.0	37.0
RLLBE-10-6 - A		M6	6.5	4.5	11.0	6.0	7.0	18.0	37.0
RLLBE-16-5 - A	16	M5	5.5	5.4	12.0	7.0	7.0	28.0	47.0
RLLBE-16-6 - A		M6	6.5	5.4	12.0	7.0	7.0	28.0	47.0
RLLBE-25-6 - A	25	M6	6.5	6.8	13.0	7.0	7.0	31.2	50.0
RLLBE-25-8 - A		M8	8.5	6.8	13.0	7.0	7.0	31.2	50.0
RLLBE-35-6 - A	35	M6	6.5	8.2	16.0	9.0	9.0	28.0	53.0
RLLBE-35-8 - A		M8	8.4	8.2	16.0	9.0	9.0	28.0	53.0
RLLBE-35-10 - A		M10	10.5	8.2	16.0	9.0	9.0	28.0	53.0
RLLBE-42-6 - A	42	M6	6.5	9.5	18.0	9.0	10.0	30.0	63.0
RLLBE-42-8 - A		M8	8.4	9.5	18.0	9.0	10.0	30.0	63.0
RLLBE-42-10 - A		M10	10.5	9.5	18.0	9.0	10.0	30.0	63.0
RLLBE-42-12 - A		M12	13.0	9.5	18.0	9.0	10.0	30.0	63.0
RLLBE-50-6 - A	50	M6	6.5	9.5	18.0	9.0	10.0	33.0	66.0
RLLBE-50-8 - A		M8	8.4	9.5	18.0	9.0	10.0	33.0	66.0
RLLBE-50-10 - A		M10	10.5	9.5	18.0	9.0	10.0	33.0	66.0
RLLBE-50-12 - A		M12	13.0	9.5	18.0	9.0	10.0	33.0	66.0

Continued...

*Non-UL

Technical Data :

RLLBE One-Hole Lugs - Long Extended Barrel...Continued

Catalogue Code	Nominal Cross Section Sq mm	Bolt Size	Dimensions (mm)						
			Stud Hole	Barrel ID	Palm Width	Stud Centre Distance		Barrel Length	Total Length
			ØE	ØA	D	G	H	B	J
RLLBE-70-8 - A	70	M8	8.4	11.3	21.0	11.0	11.0	37.6	68.6
RLLBE-70-10 - A		M10	10.5	11.3	21.0	11.0	11.0	37.6	68.6
RLLBE-70-12 - A		M12	13.0	11.3	21.0	11.0	11.0	37.6	68.6
RLLBE-70-14 - A		M14	14.5	11.3	21.0	11.0	11.0	37.6	68.6
RLLBE-95-8 - A	95	M8	8.4	13.5	25.0	12.0	13.0	40.0	73.0
RLLBE-95-10 - A		M10	10.5	13.5	25.0	12.0	13.0	40.0	73.0
RLLBE-95-12 - A		M12	13.0	13.5	25.0	12.0	13.0	40.0	73.0
RLLBE-95-14 - A		M14	14.5	13.5	25.0	12.0	13.0	40.0	73.0
RLLBE-95-16 - A		M16	17.0	13.5	25.0	12.0	13.0	40.0	73.0
RLLBE-120-8 - A	120	M8	8.4	14.2	25.5	13.0	14.0	41.9	77.0
RLLBE-120-10 - A		M10	10.5	14.2	25.5	13.0	14.0	41.9	77.0
RLLBE-120-12 - A		M12	13.0	14.2	25.5	13.0	14.0	41.9	77.0
RLLBE-120-14 - A		M14	14.5	14.2	25.5	13.0	14.0	41.9	77.0
RLLBE-120-16 - A		M16	17.0	14.2	25.5	13.0	14.0	41.9	77.0
RLLBE-130-8 - A	130	M8	8.4	16.0	28.0	13.0	14.0	46.0	83.0
RLLBE-130-10 - A		M10	10.5	16.0	28.0	13.0	14.0	46.0	83.0
RLLBE-130-12 - A		M12	13.0	16.0	28.0	13.0	14.0	46.0	83.0
RLLBE-130-14 - A		M14	14.5	16.0	28.0	13.0	14.0	46.0	83.0
RLLBE-130-16 - A		M16	17.0	16.0	28.0	13.0	14.0	46.0	83.0
RLLBE-130-18 - A		M18	19.0	16.0	28.0	13.0	14.0	46.0	83.0
RLLBE-150-8 - A	150	M8	8.4	16.5	30.0	16.0	20.0	53.0	102.5
RLLBE-150-10 - A		M10	10.5	16.5	30.0	16.0	20.0	53.0	102.5
RLLBE-150-12 - A		M12	13.0	16.5	30.0	16.0	20.0	53.0	102.5
RLLBE-150-14 - A		M14	14.5	16.5	30.0	16.0	20.0	53.0	102.5
RLLBE-150-16 - A		M16	17.0	16.5	30.0	16.0	20.0	53.0	102.5
RLLBE-150-18 - A		M18	19.0	16.5	30.0	16.0	20.0	53.0	102.5
RLLBE-150-20 - A		M20	21.0	16.5	30.0	16.0	20.0	53.0	102.5
RLLBE-150 - BL		-	-	16.5	30.0	16.0	20.0	53.0	102.5
RLLBE-185-8 - A	185	M8	8.4	18.5	34.0	17.0	19.0	54.0	104.0
RLLBE-185-10 - A		M10	10.5	18.5	34.0	17.0	19.0	54.0	104.0
RLLBE-185-12 - A		M12	13.0	18.5	34.0	17.0	19.0	54.0	104.0
RLLBE-185-14 - A		M14	14.5	18.5	34.0	17.0	19.0	54.0	104.0
RLLBE-185-16 - A		M16	17.0	18.5	34.0	17.0	19.0	54.0	104.0
RLLBE-185-18 - A		M18	19.0	18.5	34.0	17.0	19.0	54.0	104.0
RLLBE-185-20 - A		M20	21.0	18.5	34.0	17.0	19.0	54.0	104.0
RLLBE-185 - BL		-	-	18.5	34.0	17.0	19.0	54.0	104.0

Continued...

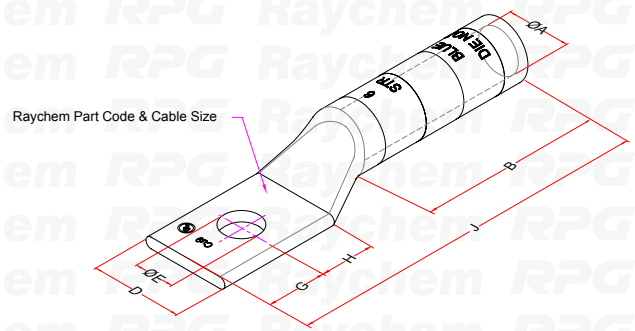
Technical Data :

RLLBE One-Hole Lugs - Long Extended Barrel...Continued

Catalogue Code	Nominal Cross Section Sq mm	Bolt Size	Dimensions (mm)						
			Stud Hole	Barrel ID	Palm Width	Stud Centre Distance		Barrel Length	Total Length
			ØE	ØA	D	G	H	B	J
RLLBE-200-8 - A	200	M8	8.4	19.7	34.0	15.0	18.0	60.0	107.0
RLLBE-200-10 - A		M10	10.5	19.7	34.0	15.0	18.0	60.0	107.0
RLLBE-200-12 - A		M12	13.0	19.7	34.0	15.0	18.0	60.0	107.0
RLLBE-200-14 - A		M14	14.5	19.7	34.0	15.0	18.0	60.0	107.0
RLLBE-200-16 - A		M16	17.0	19.7	34.0	15.0	18.0	60.0	107.0
RLLBE-200-18 - A		M18	19.0	19.7	34.0	15.0	18.0	60.0	107.0
RLLBE-200-20 - A		M20	21.0	19.7	34.0	15.0	18.0	60.0	107.0
RLLBE-200 - BL		-	-	19.7	34.0	15.0	18.0	60.0	107.0
RLLBE-240-8 - A	240	M8	8.4	21.0	38.0	16.0	17.1	64.7	115.0
RLLBE-240-10 - A		M10	10.5	21.0	38.0	16.0	17.1	64.7	115.0
RLLBE-240-12 - A		M12	13.0	21.0	38.0	16.0	17.1	64.7	115.0
RLLBE-240-14 - A		M14	14.5	21.0	38.0	16.0	17.1	64.7	115.0
RLLBE-240-16 - A		M16	17.0	21.0	38.0	16.0	17.1	64.7	115.0
RLLBE-240-18 - A		M18	19.0	21.0	38.0	16.0	17.1	64.7	115.0
RLLBE-240-20 - A		M20	21.0	21.0	38.0	16.0	17.1	64.7	115.0
RLLBE-240 - BL		-	-	21.0	38.0	16.0	17.1	64.7	115.0
RLLBE-300-10 - A	300	M10	10.5	23.5	43.0	22.0	22.0	74.0	137.0
RLLBE-300-12 - A		M12	13.0	23.5	43.0	22.0	22.0	74.0	137.0
RLLBE-300-14 - A		M14	14.5	23.5	43.0	22.0	22.0	74.0	137.0
RLLBE-300-16 - A		M16	17.0	23.5	43.0	22.0	22.0	74.0	137.0
RLLBE-300-18 - A		M18	19.0	23.5	43.0	22.0	22.0	74.0	137.0
RLLBE-300-20 - A		M20	21.0	23.5	43.0	22.0	22.0	74.0	137.0
RLLBE-300 - BL		-	-	23.5	43.0	22.0	22.0	74.0	137.0
RLLBE-400-10 - A		400	M10	10.5	28.5	52.5	25.0	25.0	84.0
RLLBE-400-12 - A	M12		13.0	28.5	52.5	25.0	25.0	84.0	154.0
RLLBE-400-14 - A	M14		14.5	28.5	52.5	25.0	25.0	84.0	154.0
RLLBE-400-16 - A	M16		17.0	28.5	52.5	25.0	25.0	84.0	154.0
RLLBE-400-18 - A	M18		19.0	28.5	52.5	25.0	25.0	84.0	154.0
RLLBE-400-20 - A	M20		21.0	28.5	52.5	25.0	25.0	84.0	154.0
RLLBE-400 - BL	-		-	28.5	52.5	25.0	25.0	84.0	154.0
RLLBE-500-10 - A	500		M10	10.5	30.0	56.0	25.0	26.0	85.0
RLLBE-500-12 - A		M12	13.0	30.0	56.0	25.0	26.0	85.0	161.0
RLLBE-500-14 - A		M14	14.5	30.0	56.0	25.0	26.0	85.0	161.0
RLLBE-500-16 - A		M16	17.0	30.0	56.0	25.0	26.0	85.0	161.0
RLLBE-500-18 - A		M18	19.0	30.0	56.0	25.0	26.0	85.0	161.0
RLLBE-500-20 - A		M20	21.0	30.0	56.0	25.0	26.0	85.0	161.0
RLLBE-500 - BL		-	-	30.0	56.0	25.0	26.0	85.0	161.0

Technical Data : One-Hole Lugs - Long Barrel

For copper conductor, Conductor Range 8 - 1000 Sq mm



Characteristics

- Long barrel permits multiple crimps for secured connection
- Seamless, one piece copper construction with tin plating assures maximum conductivity and avoids oxidation of copper
- The copper conductivity of the lugs is => 97% IACS and purity = 99.9% min.

Order Info

Also available with Inspection Window,
Add Suffix
B – With inspection window

Material

- High Conductivity ETP-Copper

Finish

- Electro Tin Plated

Catalogue Code	Nominal Cross Section (AWG / Sq mm)		Dimensions (mm)						
			Stud Hole	Barrel ID	Palm Width	Stud Centre Distance		Barrel Length	Total Length
	AWG	Sq mm	ØE	ØA	D	G	H	B	J
ALB 8-# 10	8	10	5.20	4.40	9.65	8.0	9.4	20.57	42.9
ALB 8-1/4			6.80	4.40	10.41	8.0	9.4	20.57	42.9
ALB 8-3/16			5.20	4.40	9.65	8.0	9.4	20.57	42.9
ALB 8-5/16			8.40	4.40	10.41	8.0	9.4	20.57	42.9
ALB 6-#10	6	16	5.20	4.95	10.41	7.0	w7.1	28.45	48.3
ALB 6-1/4			6.80	4.95	10.41	6.5	7.1	28.45	48.3
ALB 6-1/2			13.20	4.95	21.08	13.0	13.8	28.45	67.1
ALB 4-# 10	4	25	5.20	6.30	12.45	7.0	6.8	28.45	48.3
ALB 4-1/4			6.80	6.30	12.70	7.0	6.8	28.45	48.5
ALB 4-5/16			8.40	6.30	12.70	8.2	10.0	28.45	48.5
ALB 4-3/8			10.20	6.30	14.73	9.7	10.0	28.45	57.2
ALB 4-1/2			13.20	6.30	21.08	12.8	14.0	28.45	68.3
ALB 2-# 10	2	35	5.20	7.80	15.49	10.0	9.4	31.75	53.3
ALB 2-1/4			6.80	7.80	15.49	10.0	9.4	31.75	53.3
ALB 2-5/16			8.40	7.80	15.49	10.0	9.4	31.75	58.2
ALB 2-3/8			10.20	7.80	15.49	14.1	14.0	31.75	73.2
ALB 2-1/2			13.20	7.80	21.08	14.1	14.0	31.75	73.2

Continued...

Technical Data :

ALB One-Hole Lugs - Long Barrel...Continued

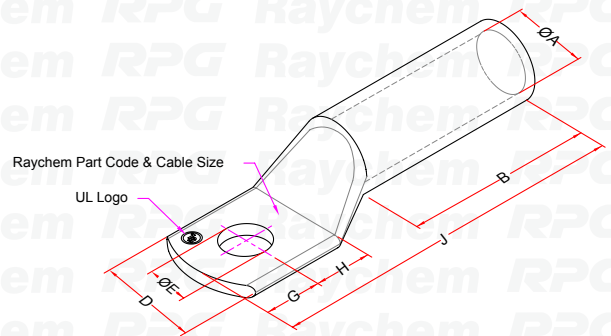
Catalogue Code	Nominal Cross Section (AWG / Sq mm)		Dimensions (mm)						
			Stud Hole	Barrel ID	Palm Width	Stud Centre Distance		Barrel Length	Total Length
	AWG	Sq mm	ØE	ØA	D	G	H	B	J
ALB 1- #10	1	42	5.20	8.99	17.27	17.0	18.7	35.05	78.7
ALB 1-5/16			8.40	8.99	17.27	17.0	18.7	35.05	78.7
ALB 1-1/2			13.20	8.99	21.08	17.0	18.7	35.05	77.7
ALB 1/0-# 10	1/0	50	5.20	9.93	19.05	16.0	17.4	35.05	78.7
ALB 1/0-5/16			8.40	9.93	19.05	16.0	17.4	35.05	78.7
ALB 1/0-3/8			10.20	9.93	19.05	16.0	17.4	35.05	78.7
ALB 1/0-1/2			13.20	9.93	19.05	16.0	17.4	35.05	77.5
ALB 2/0-5/16	2/0	70	8.40	11.33	20.83	16.0	16.4	38.10	81.3
ALB 2/0-3/8			10.20	11.33	20.83	16.0	16.4	38.10	81.3
ALB 2/0-1/2			13.20	11.33	20.83	16.0	16.4	38.10	81.5
ALB 3/0-3/8	3/0	95	10.20	12.37	23.11	13.0	15.6	38.10	77.7
ALB 3/0-1/2			13.20	12.37	23.11	13.0	15.6	38.10	77.7
ALB 4/0-3/8	4/0	120	10.20	14.20	25.40	14.5	14.4	41.15	75.7
ALB 4/0-1/2			13.20	14.20	25.40	14.5	14.4	41.15	82.0
ALB 250-3/8	250	130	10.20	15.09	27.69	14.5	15.2	41.15	82.8
ALB 250-1/2			13.20	15.09	27.69	14.5	15.2	41.15	82.8
ALB 300-5/16	300	150	8.40	16.48	30.48	15.0	15.9	50.80	93.7
ALB 300-3/8			10.20	16.48	30.48	15.0	15.9	50.80	93.7
ALB 300-1/2			13.20	16.48	30.48	15.0	15.9	50.80	93.7
ALB 350-3/8	350	185	10.20	17.78	32.77	14.0	15.9	50.80	94.7
ALB 350-1/2			13.20	17.78	32.77	14.0	15.9	50.80	94.7
ALB 400-3/8	400	200	10.20	19.25	35.05	18.0	19.6	53.85	104.1
ALB 400-1/2			13.20	19.25	35.05	18.0	19.6	53.85	104.1
ALB 400-5/8			16.80	19.25	35.05	18.0	19.6	53.85	104.1
ALB 500-1/2	500	240	13.20	21.08	39.12	18.0	19.4	57.15	111.8
ALB 500-5/8			16.80	21.08	39.12	18.0	19.4	57.15	111.8
ALB 600-1/2	600	300	13.20	23.37	43.43	18.5	19.6	68.33	122.7
ALB 600-5/8			16.80	23.37	43.43	18.5	19.6	68.33	121.9
ALB 600-3/4*			20.00	23.37	43.43	18.5	19.6	68.33	121.9
ALB 650-1/2	650	350	13.20	24.33	44.81	18.0	19.0	68.25	125.0
ALB 650-5/8			16.80	24.33	44.81	18.0	19.0	68.25	125.0
ALB 650-7/8			23.20	24.33	44.81	21.0	22.0	68.25	131.0
ALB 750-1/2	750	400	13.20	26.16	48.01	19.0	19.2	73.15	129.8
ALB 750-5/8			16.80	26.16	48.01	19.0	19.2	73.15	129.5
ALB 1000-1/2	1000	500	13.20	29.72	55.63	20.0	22.2	76.20	137.2
ALB 1000-5/8			16.80	29.72	55.63	20.0	22.2	76.20	137.2

*Non-UL

Technical Data :

One-Hole Lugs - Heavy Duty

For Copper Conductor, Conductor Range 25 - 630 Sq mm



Characteristics

- HV Lugs are specially designed to the standard high voltage applications upto 33 KV.
- Annealed material optimizes material and crimping properties
- Flat contact surface and precise stud holes as per the Metric standard

Material

- High Conductivity ETP-Copper

Finish

- Electro Tin Plated

Catalogue Code	Nominal Cross Section (AWG / Sq mm)		Dimensions (mm)						
			Stud Hole	Barrel ID	Palm Width	Stud Centre Distance		Barrel Length	Total Length
	AWG	Sq mm	ØE	ØA	D	G	H	B	J
RLHV 25-6	25	M6	6.5	6.8	16.0	10.0	12.0	37.0	68.5
RLHV 25-8		M8	8.4	6.8	16.0	10.0	12.0	37.0	68.5
RLHV 25-10		M10	10.5	6.8	16.0	10.0	12.0	37.0	68.5
RLHV 25-12		M12	13.0	6.8	18.0	10.0	12.0	37.0	68.5
RLHV 35-6	35	M6	6.5	8.2	19.5	14.0	16.0	37.0	79.5
RLHV 35-8		M8	8.4	8.2	19.5	14.0	16.0	37.0	79.5
RLHV 35-10		M10	10.5	8.2	19.5	14.0	16.0	37.0	79.5
RLHV 35-12		M12	13.0	8.2	19.5	14.0	16.0	37.0	79.5
RLHV 35-14		M14	14.5	8.2	19.5	14.0	16.0	37.0	79.5
RLHV 35-16		M16	17.0	8.2	19.5	14.0	16.0	37.0	79.5
RLHV 50-6	50	M6	6.5	9.5	20.0	15.0	16.0	39.5	79.5
RLHV 50-8		M8	8.4	9.5	20.0	15.0	16.0	39.5	79.5
RLHV 50-10		M10	10.5	9.5	20.0	15.0	16.0	39.5	79.5
RLHV 50-12		M12	13.0	9.5	20.0	15.0	16.0	39.5	79.5
RLHV 50-14		M14	14.5	9.5	20.0	15.0	16.0	39.5	79.5
RLHV 50-16		M16	17.0	9.5	20.0	15.0	16.0	39.5	79.5
RLHV 70-6	70	M6	6.5	11.0	23.0	14.0	16.0	42.0	81.5
RLHV 70-8		M8	8.4	11.0	23.0	14.0	16.0	42.0	81.5
RLHV 70-10		M10	10.5	11.0	23.0	14.0	16.0	42.0	81.5
RLHV 70-12		M12	13.0	11.0	23.0	14.0	16.0	42.0	81.5
RLHV 70-14		M14	14.5	11.0	23.0	14.0	16.0	42.0	81.5
RLHV 70-16		M16	17.0	11.0	23.0	14.0	16.0	42.0	81.5

Continued...

Technical Data :

RLHV One-Hole Lugs - Heavy Duty ...Continued

Catalogue Code	Nominal Cross Section (AWG / Sq mm)		Dimensions (mm)						
			Stud Hole	Barrel ID	Palm Width	Stud Centre Distance		Barrel Length	Total Length
	ØE	ØA				D	G		
RLHV 95-8	95	M8	8.4	13.5	27.0	14.0	16.0	46.0	90.0
RLHV 95-10		M10	10.5	13.5	27.0	14.0	16.0	46.0	90.0
RLHV 95-12		M12	13.0	13.5	27.0	14.0	16.0	46.0	90.0
RLHV 95-14		M14	14.5	13.5	27.0	14.0	16.0	46.0	90.0
RLHV 95-16		M16	17.0	13.5	27.0	14.0	16.0	46.0	90.0
RLHV 95-18		M18	19.0	13.5	27.0	14.0	16.0	46.0	90.0
RLHV 95-20		M20	21.0	13.5	27.0	14.0	16.0	46.0	90.0
RLHV 95-BL		-	-	13.5	27.0	14.0	16.0	46.0	90.0
RLHV 120-8	120	M8	8.4	15.0	29.0	16.0	16.0	52.0	98.0
RLHV 120-10		M10	10.5	15.0	29.0	16.0	16.0	52.0	98.0
RLHV 120-12		M12	13.0	15.0	29.0	16.0	16.0	52.0	98.0
RLHV 120-14		M14	14.5	15.0	29.0	16.0	16.0	52.0	98.0
RLHV 120-16		M16	17.0	15.0	29.0	16.0	16.0	52.0	98.0
RLHV 120-18		M18	19.0	15.0	29.0	16.0	16.0	52.0	98.0
RLHV 120-20		M20	21.0	15.0	29.0	16.0	16.0	52.0	98.0
RLHV 120-BL		-	-	15.0	29.0	16.0	16.0	52.0	98.0
RLHV 150-8	150	M8	8.4	16.5	32.0	19.0	16.0	56.5	105.0
RLHV 150-10		M10	10.5	16.5	32.0	19.0	16.0	56.5	105.0
RLHV 150-12		M12	13.0	16.5	32.0	19.0	16.0	56.5	105.0
RLHV 150-14		M14	14.5	16.5	32.0	19.0	16.0	56.5	105.0
RLHV 150-16		M16	17.0	16.5	32.0	19.0	16.0	56.5	105.0
RLHV 150-18		M18	19.0	16.5	32.0	19.0	16.0	56.5	105.0
RLHV 150-20		M20	21.0	16.5	32.0	19.0	16.0	56.5	105.0
RLHV 150-BL		-	-	16.5	32.0	19.0	16.0	56.5	105.0
RLHV 185-8	185	M8	8.4	18.5	32.7	17.0	19.0	65.0	113.5
RLHV 185-10		M10	10.5	18.5	32.7	17.0	19.0	65.0	113.5
RLHV 185-12		M12	13.0	18.5	32.7	17.0	19.0	65.0	113.5
RLHV 185-14		M14	14.5	18.5	32.7	17.0	19.0	65.0	113.5
RLHV 185-16		M16	17.0	18.5	32.7	17.0	19.0	65.0	113.5
RLHV 185-18		M18	19.0	18.5	32.7	17.0	19.0	65.0	113.5
RLHV 185-20		M20	21.0	18.5	32.7	17.0	19.0	65.0	113.5
RLHV 185-BL		-	-	18.5	32.7	-	-	65.0	113.5
RLHV 240-8	240	M8	8.4	21.0	38.0	20.0	20.0	65.0	119.5
RLHV 240-10		M10	10.5	21.0	38.0	20.0	20.0	65.0	119.5
RLHV 240-12		M12	13.0	21.0	38.0	20.0	20.0	65.0	119.5
RLHV 240-14		M14	14.5	21.0	38.0	20.0	20.0	65.0	119.5
RLHV 240-16		M16	17.0	21.0	38.0	20.0	20.0	65.0	119.5
RLHV 240-18		M18	19.0	21.0	38.0	20.0	20.0	65.0	119.5
RLHV 240-20		M20	21.0	21.0	38.0	20.0	20.0	65.0	119.5
RLHV 240-BL		-	-	21.0	38.0	-	-	65.0	119.5

Continued...

*Non-UL

RLHV

Technical Data :

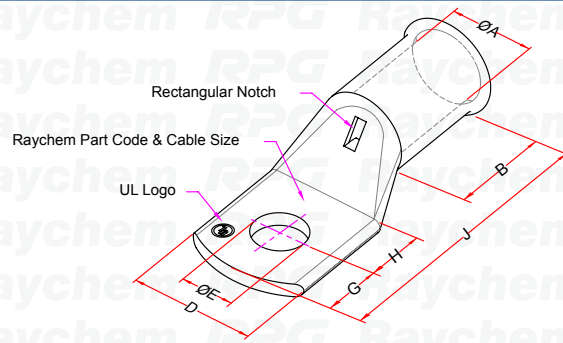
RLHV One-Hole Lugs - Heavy Duty ...Continued

Catalogue Code	Nominal Cross Section (AWG / Sq mm)		Dimensions (mm)						
			Stud Hole	Barrel ID	Palm Width	Stud Centre Distance		Barrel Length	Total Length
	AWG	Sq mm	ØE	ØA	D	G	H	B	J
RLHV 300-8	300	M8	8.4	23.5	45.0	22.0	22.0	79.5	138.5
RLHV 300-10		M10	10.5	23.5	45.0	22.0	22.0	79.5	138.5
RLHV 300-12		M12	13.0	23.5	45.0	22.0	22.0	79.5	138.5
RLHV 300-14		M14	14.5	23.5	45.0	22.0	22.0	79.5	138.5
RLHV 300-16		M16	17.0	23.5	45.0	22.0	22.0	79.5	138.5
RLHV 300-18		M18	19.0	23.5	45.0	22.0	22.0	79.5	138.5
RLHV 300-20		M20	21.0	23.5	45.0	22.0	22.0	79.5	138.5
RLHV 300-BL		-	-	-	23.5	45.0	22.0	22.0	79.5
RLHV 400-10	400	M10	10.5	27.0	53.0	26.0	26.0	81.0	154.0
RLHV 400-12		M12	13.0	27.0	53.0	26.0	26.0	81.0	154.0
RLHV 400-14		M14	14.5	27.0	53.0	26.0	26.0	81.0	154.0
RLHV 400-16		M16	17.0	27.0	53.0	26.0	26.0	81.0	154.0
RLHV 400-18		M18	19.0	27.0	53.0	26.0	26.0	81.0	154.0
RLHV 400-20		M20	21.0	27.0	53.0	26.0	26.0	81.0	154.0
RLHV 400-BL		-	-	-	27.0	53.0	26.0	26.0	81.0
RLHV 500-10	500	M10	10.5	30.3	57.0	28.0	28.0	85.5	166.0
RLHV 500-12		M12	13.0	30.3	57.0	28.0	28.0	85.5	166.0
RLHV 500-14		M14	14.5	30.3	57.0	28.0	28.0	85.5	166.0
RLHV 500-16		M16	17.0	30.3	57.0	28.0	28.0	85.5	166.0
RLHV 500-18		M18	19.0	30.3	57.0	28.0	28.0	85.5	166.0
RLHV 500-20		M20	21.0	30.3	57.0	28.0	28.0	85.5	166.0
RLHV 500-BL		-	-	-	30.3	57.0	28.0	28.0	85.5
RLHV 630-10	630	M10	10.5	33.4	61.0	33.0	33.0	95.5	188.0
RLHV 630-12		M12	13.0	33.4	61.0	33.0	33.0	95.5	188.0
RLHV 630-14		M14	14.5	33.4	61.0	33.0	33.0	95.5	188.0
RLHV 630-16		M16	17.0	33.4	61.0	33.0	33.0	95.5	188.0
RLHV 630-18		M18	19.0	33.4	61.0	33.0	33.0	95.5	188.0
RLHV 630-20		M20	21.0	33.4	61.0	33.0	33.0	95.5	188.0
RLHV 630-BL		-	-	-	33.4	61.0	33.0	33.0	95.5

Technical Data :

One-Hole Lugs - Bell Mouth Lugs

For Copper Conductor, Conductor Range 1.5 - 240 Sq mm



Characteristics

- Bell Mouth Structure provides easy insertion for stranded copper cables
- Annealed material optimizes material and crimping properties
- Flat contact surface and precise stud holes as per the Metric standard

Material

- High Conductivity ETP-Copper

Finish

- Electro Tin Plated

Catalogue Code	Nominal Cross Section Sq mm	Bolt Size	Dimensions (mm)						
			Stud Hole	Barrel ID	Palm Width	Stud Centre Distance		Barrel Length	Total Length
			ØE	ØA	D	G	H	B	J
RLBM 1.5-4*	1.5	M4	4.2	1.80	8.00	4.00	5.00	6.00	17.00
RLBM 1.5-5*		M5	5.2	1.80	8.00	4.00	5.00	6.00	17.00
RLBM 1.5-6*		M6	6.5	1.80	10.00	4.00	6.00	6.00	18.00
RLBM 2.5-4*	2.5	M4	4.2	2.40	8.00	4.00	5.00	8.00	19.00
RLBM 2.5-5*		M5	5.2	2.40	8.00	4.00	5.00	8.00	19.00
RLBM 2.5-6*		M6	6.5	2.40	10.00	5.00	6.00	8.00	21.00
RLBM 2.5-8*		M8	8.4	2.40	12.00	6.00	9.00	8.00	26.00
RLBM 4-4*	4	M4	4.2	3.10	10.00	5.00	6.00	8.00	21.00
RLBM 4-5*		M5	5.2	3.10	10.00	5.00	6.00	8.00	21.00
RLBM 4-6*		M6	6.5	3.10	10.00	5.00	6.00	8.00	21.00
RLBM 4-8*		M8	8.4	3.10	12.00	6.00	9.00	8.00	24.00
RLBM 6-4*	6	M4	4.2	3.80	10.00	6.00	6.00	10.00	23.00
RLBM 6-5*		M5	5.2	3.80	10.00	6.00	6.00	10.00	23.00
RLBM 6-6*		M6	6.5	3.80	10.00	5.00	6.00	10.00	24.00
RLBM 6-8*		M8	8.4	3.80	12.00	6.00	9.00	10.00	27.00
RLBM 6-10*		M10	10.5	3.80	15.00	8.00	11.00	10.00	32.00
RLBM 10-5	10	M5	5.2	4.50	11.00	6.00	7.00	10.00	26.50
RLBM 10-6		M6	6.5	4.50	11.00	6.00	7.00	10.00	26.50
RLBM 10-8		M8	8.4	4.50	12.00	6.00	9.00	10.00	27.50
RLBM 10-10		M10	10.5	4.50	15.00	8.00	11.00	11.00	32.00
RLBM 10-12		M12	13	4.50	17.00	10.00	13.00	11.00	39.00

Continued...

*Non-UL

Technical Data :

RLBM One-Hole Lugs - Bell Mouth Lugs ...Continued

Catalogue Code	Nominal Cross Section Sq mm	Bolt Size	Dimensions (mm)						
			Stud Hole	Barrel ID	Palm Width	Stud Centre Distance		Barrel Length	Total Length
			ØE	ØA	D	G	H	B	J
RLBM 16-5	16	M5	5.2	5.40	12.00	7.00	7.00	12.00	30.00
RLBM 16-6		M6	6.5	5.40	12.00	7.00	7.00	12.00	30.00
RLBM 16-8		M8	8.4	5.40	12.00	7.00	7.00	12.00	30.00
RLBM 16-10		M10	10.5	5.40	15.00	8.00	12.00	12.00	35.00
RLBM 16-12		M12	13	5.40	17.00	11.00	13.00	12.00	39.00
RLBM 16-16		M16	17	5.40	21.00	12.00	13.00	15.00	47.00
RLBM 25-6	25	M6	6.5	6.80	13.00	7.00	7.00	12.00	30.00
RLBM 25-8		M8	8.4	6.80	13.00	7.00	7.00	12.00	30.00
RLBM 25-10		M10	10.5	6.80	15.00	10.00	11.00	13.00	36.50
RLBM 25-12		M12	13	6.80	17.00	10.00	12.00	15.00	40.00
RLBM 25-16		M16	17	6.80	21.00	12.00	13.00	15.00	47.00
RLBM 35-6	35	M6	6.5	8.20	16.00	9.00	9.00	14.00	36.00
RLBM 35-8		M8	8.4	8.20	16.00	9.00	9.00	14.00	36.00
RLBM 35-10		M10	10.5	8.20	16.00	9.00	9.00	14.00	37.00
RLBM 35-12		M12	13	8.20	18.00	10.00	12.00	13.50	41.00
RLBM 35-14		M14	14.5	8.20	20.00	10.00	12.00	13.50	41.00
RLBM 35-16		M16	17	8.20	22.00	14.00	18.00	13.50	50.00
RLBM 50-6	50	M6	6.5	9.50	18.00	10.00	11.00	16.00	42.00
RLBM 50-8		M8	8.4	9.50	18.00	10.00	11.00	16.00	42.00
RLBM 50-10		M10	10.5	9.50	18.00	10.00	11.00	16.00	42.00
RLBM 50-12		M12	13	9.50	20.00	10.00	12.00	17.00	45.00
RLBM 50-14		M14	14.5	9.50	20.00	10.00	12.00	17.00	45.00
RLBM 50-16		M16	17	9.50	22.00	15.00	15.00	18.00	52.00
RLBM 50-20		M20	21	9.50	26.00	15.00	15.00	18.00	60.00
RLBM 70-6	70	M6	6.5	11.30	21.00	11.00	11.00	18.50	47.00
RLBM 70-8		M8	8.4	11.30	21.00	11.00	11.00	18.50	47.00
RLBM 70-10		M10	10.5	11.30	21.00	11.00	11.00	18.50	47.00
RLBM 70-12		M12	13	11.30	21.00	11.00	11.00	18.50	47.00
RLBM 70-14		M14	14.5	11.30	22.00	14.00	15.00	18.50	55.00
RLBM 70-16		M16	17	11.30	26.00	14.00	16.00	18.50	56.00
RLBM 70-20		M20	21	11.30	28.00	-	-	18.50	63.00
RLBM 95-6	95	M6	6.5	13.50	25.00	12.00	13.00	21.00	53.00
RLBM 95-8		M8	8.4	13.50	25.00	12.00	13.00	21.00	53.00
RLBM 95-10		M10	10.5	13.50	25.00	12.00	13.00	21.00	53.00
RLBM 95-12		M12	13	13.50	25.00	12.00	13.00	21.00	53.00
RLBM 95-14		M14	14.5	13.50	25.00	14.00	15.00	22.00	55.00
RLBM 95-16		M16	17	13.50	25.00	14.00	16.00	22.00	58.00
RLBM 95-20		M20	21	13.50	28.00	15.00	16.00	22.00	63.00
RLBM 95-BL		-	-	13.50	28.00	15.00	16.00	22.00	63.00

Continued...

Technical Data :

RLBM One-Hole Lugs - Bell Mouth Lugs ...Continued

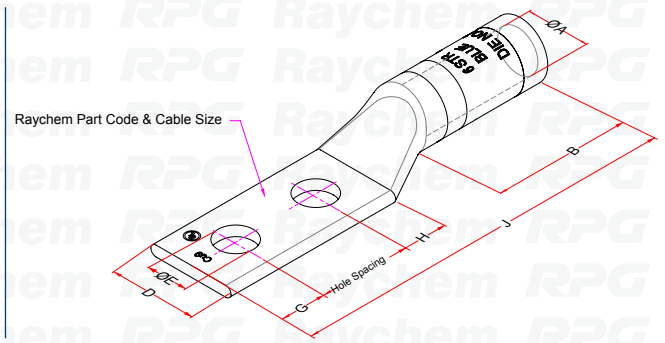
Catalogue Code	Nominal Cross Section Sq mm	Bolt Size	Dimensions (mm)						
			Stud Hole	Barrel ID	Palm Width	Stud Centre Distance		Barrel Length	Total Length
			ØE	ØA	D	G	H	B	J
RLBM 120-6	120	M6	6.5	15.00	28.00	13.00	14.00	23.00	60.00
RLBM 120-8		M8	8.4	15.00	28.00	13.00	14.00	23.00	60.00
RLBM 120-10		M10	10.5	15.00	28.00	13.00	14.00	23.00	60.00
RLBM 120-12		M12	13	15.00	28.00	13.00	14.00	23.00	60.00
RLBM 120-14		M14	14.5	15.00	28.00	13.00	14.00	23.00	60.00
RLBM 120-16		M16	17	15.00	28.00	16.00	16.00	23.00	64.00
RLBM 120-20		M20	21	15.00	28.00	16.00	16.00	23.00	64.00
RLBM 120-BL		-	-	15.00	28.00	16.00	16.00	23.00	64.00
RLBM 150-6	150	M6	6.5	16.50	30.00	16.00	16.00	27.00	70.00
RLBM 150-8		M8	8.4	16.50	30.00	16.00	16.00	27.00	70.00
RLBM 150-10		M10	10.5	16.50	30.00	16.00	16.00	27.00	70.00
RLBM 150-12		M12	13	16.50	30.00	16.00	16.00	27.00	70.00
RLBM 150-14		M14	14.5	16.50	30.00	16.00	16.00	27.00	70.00
RLBM 150-16		M16	17	16.50	30.00	16.00	16.00	27.00	70.00
RLBM 150-18		M18	19	16.50	30.00	19.00	16.00	27.00	73.00
RLBM 150-20		M20	21	16.50	30.00	19.00	16.00	27.00	73.00
RLBM 150-BL		-	-	16.50	30.00	19.00	16.00	27.00	73.00
RLBM 185-6	185	M6	6.5	18.50	34.00	17.00	19.00	32.00	80.00
RLBM 185-8		M8	8.4	18.50	34.00	17.00	19.00	32.00	80.00
RLBM 185-10		M10	10.5	18.50	34.00	17.00	19.00	32.00	80.00
RLBM 185-12		M12	13	18.50	34.00	17.00	19.00	32.00	80.00
RLBM 185-14		M14	14.5	18.50	34.00	17.00	19.00	32.00	80.00
RLBM 185-16		M16	17	18.50	34.00	17.00	19.00	32.00	80.00
RLBM 185-18		M18	19	18.50	34.00	17.00	19.00	32.00	80.00
RLBM 185-20		M20	21	18.50	34.00	17.00	19.00	32.00	80.00
RLBM 185-BL		-	-	18.50	34.00	17.00	19.00	32.00	80.00
RLBM 240-6	240	M	6.5	21.00	38.00	20.00	20.00	37.00	94.00
RLBM 240-8		M	8.4	21.00	38.00	20.00	20.00	37.00	94.00
RLBM 240-10		M	10.5	21.00	38.00	20.00	20.00	37.00	94.00
RLBM 240-12		M	13	21.00	38.00	20.00	20.00	37.00	94.00
RLBM 240-14		M14	14.5	21.00	38.00	20.00	20.00	37.00	94.00
RLBM 240-16		M16	17	21.00	38.00	20.00	20.00	37.00	94.00
RLBM 240-18		M18	19	21.00	38.00	20.00	20.00	37.00	94.00
RLBM 240-20		M20	21	21.00	38.00	20.00	20.00	37.00	94.00
RLBM 240-BL		-	-	21.00	38.00	-	-	37.00	94.00

*Non-UL

Technical Data :

Two-Hole Lugs - Standard Barrel

For Copper Conductor, Conductor Range 8 - 1000 Sq mm



Characteristics

- Standard barrel used in regular electrical applications.
- Best suited in application where two bolts are needed to avoid rotation or movement of the lugs.
- Seamless, one piece copper construction with tin plating assures maximum conductivity and avoids oxidation of copper
- The copper conductivity of the lugs is = > 97% IACS and purity = 99.9% min.

Order Information

Also available with Inspection Window,
Add Suffix
B – With inspection window

Material

- High Conductivity ETP-Copper

Finish

- Electro Tin Plated

Catalogue Code	Nominal Cross Section (AWG / Sq mm)		Dimensions (mm)						
			Stud Hole	Hole Spacing	Type	Barrel ID	Barrel Length	Total Length	
	AWG	Sq mm	ØE			ØA	D	B	J
A2SB 8-#10 I	8	10	4.5	15.88	I	4.40	11.18	11.18	50.00
A2SB 8-1/4 I			6.8	15.88	I	4.40	11.18	11.18	50.00
A2SB 8-1/4 III			6.8	25.40	III	4.40	11.18	11.18	61.00
A2SB 8-1/4 II			6.8	19.05	II	4.40	11.18	11.18	53.20
A2SB 8-3/8 III			10.2	25.40	III	4.40	14.73	11.18	61.00
A2SB 6-#10 I	6	16	4.5	15.88	I	4.95	11.43	13.72	54.00
A2SB 6-1/4 II			6.5	19.05	II	4.95	11.43	13.72	57.00
A2SB 6-1/4 I			6.8	15.88	I	4.95	11.43	13.72	54.00
A2SB 6-1/4 III			6.8	25.40	III	4.95	11.43	13.72	64.00
A2SB 6-1/4 V			6.8	12.70	V	4.95	11.43	13.72	51.00
A2SB 6-5/16 III			8.4	25.4	III	4.95	13.21	13.72	68.50
A2SB 6-3/8 III			10.2	25.4	III	4.95	16.00	13.72	68.50
A2SB 4-1/4 I	4	25	6.8	15.88	I	6.30	12.70	20.57	62.00
A2SB 4-1/4 II			6.8	19.05	II	6.30	12.70	20.57	65.00
A2SB 4-1/4 III			6.8	25.40	III	6.30	12.70	20.57	71.50
A2SB 4-3/8 III			10.2	25.40	III	6.30	14.73	20.57	76.00

Continued...

A2SB

Technical Data :

A2SB Two-Hole Lugs - Standard Barrel ...Continued

Catalogue Code	Nominal Cross Section (AWG / Sq mm)		Dimensions (mm)						
			Stud Hole	Hole Spacing	Type	Barrel ID	Palm Width	Barrel Length	Total Length
	ØE	ØA	D			B	J		
A2SB 2-1/4 I	2	35	6.8	15.88	I	7.80	15.49	22.35	69.00
A2SB 2-1/4 II			6.8	19.05	II	7.80	15.49	22.35	73.00
A2SB 2-1/4 III			6.8	25.40	III	7.80	15.49	22.35	80.00
A2SB 2-5/16 II			8.4	19.05	II	7.80	15.49	22.35	74.00
A2SB 2-5/16 III			8.4	25.40	III	7.80	15.49	22.35	80.00
A2SB 2-3/8 III			10.2	25.40	III	7.80	15.49	22.35	80.00
A2SB 2-1/2 IV			13.2	44.45	IV	7.80	18.54	22.35	100.00
A2SB 1-1/4 I	1	42	6.8	15.88	I	8.99	17.27	22.35	83.00
A2SB 1-1/4 II			6.8	19.05	II	8.99	17.27	22.35	85.00
A2SB 1-5/16 VI			8.4	22.22	VI	8.99	17.27	22.35	89.00
A2SB 1-3/8 III			10.2	25.40	III	8.99	17.27	22.35	91.00
A2SB 1-1/2 IV			13.2	44.45	IV	8.99	18.54	22.35	111.00
A2SB 1/0-1/4 I	1/0	50	6.8	15.88	I	9.93	19.05	22.35	82.00
A2SB 1/0-1/4 II			6.8	19.05	II	9.93	19.05	22.35	85.50
A2SB 1/0-5/16 VI*			8.4	22.22	VI	9.93	19.05	22.35	88.50
A2SB 1/0-3/8 III			10.2	25.40	III	9.93	19.05	22.35	91.50
A2SB 1/0-1/2 IV			13.2	44.45	IV	9.93	19.05	22.35	110.50
A2SB 2/0-1/4 I	2/0	70	6.8	15.88	I	11.33	20.83	23.88	85.00
A2SB 2/0-1/4 II			6.8	19.05	II	11.33	20.83	23.88	88.00
A2SB 2/0-5/16 VI			8.4	22.22	VI	11.33	15.75	23.88	91.00
A2SB 2/0-3/8 III			10.2	25.40	III	11.33	20.83	23.88	94.00
A2SB 2/0-1/2 IV			13.2	44.45	IV	11.33	20.83	23.88	113.20
A2SB 3/0-1/4 II	3/0	95	6.8	19.05	II	12.37	23.11	25.40	91.20
A2SB 3/0-5/16 III			8.4	25.40	III	12.37	23.11	25.40	97.50
A2SB 3/0-3/8 III			10.2	25.40	III	12.37	23.11	25.40	97.50
A2SB 3/0-1/2 IV			13.2	44.45	IV	12.37	23.11	25.40	116.70
A2SB 4/0-1/4 II	4/0	120	6.8	19.05	II	14.20	25.40	22.35	89.00
A2SB 4/0-1/4 III			6.8	25.40	III	14.20	25.40	22.35	95.50
A2SB 4/0-3/8 III			10.2	25.40	III	14.20	25.40	22.35	95.50
A2SB 4/0-1/2 IV			13.2	44.45	IV	14.20	25.40	22.35	115.00
A2SB 250-3/8 III	250	135	10.2	25.40	III	15.09	27.69	26.92	102.00
A2SB 250-1/2 IV			13.2	44.45	IV	15.09	27.69	26.92	121.00
A2SB 300-3/8 III	300	150	10.2	25.40	III	16.48	30.48	26.16	102.00
A2SB 300-1/2 IV			13.2	44.45	IV	16.48	30.48	26.16	121.00

Continued...

*Non-UL

A2SB

Technical Data :

A2SB Two-Hole Lugs - Standard Barrel ...Continued

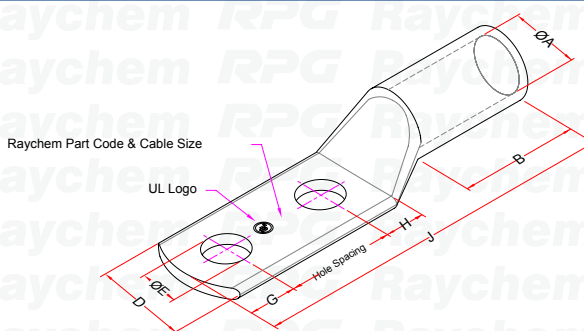
Catalogue Code	Nominal Cross Section (AWG / Sq mm)		Dimensions (mm)						
			Stud Hole	Hole Spacing	Type	Barrel ID	Palm Width	Barrel Length	Total Length
	ØE	ØA	D			B	J		
A2SB 350-1/4 II	350	185	6.8	19.05	II	17.78	32.77	26.92	95.00
A2SB 350-3/8 III			10.2	25.40	III	17.78	32.77	26.92	102.00
A2SB 350-1/2 VII			13.2	31.75	VII	17.78	32.77	32.77	115.00
A2SB 350-1/2 IV			13.2	44.45	IV	17.78	32.77	32.77	128.00
A2SB 400-3/8 III	400	200	10.2	25.40	III	19.25	35.05	30.23	108.00
A2SB 400-1/2 IV			13.2	44.45	IV	19.25	35.56	30.23	128.00
A2SB 500-1/4 II	500	240	6.8	19.05	II	21.08	39.12	32.26	102.00
A2SB 500-3/8 III			10.2	25.40	III	21.08	39.12	32.26	110.00
A2SB 500-1/2 VII			13.2	31.75	VII	21.08	39.12	32.26	117.00
A2SB 500-1/2 IV			13.2	44.45	IV	21.08	39.12	32.26	129.00
A2SB 600-3/8 III	600	300	10.2	25.40	III	23.37	43.43	35.05	117.00
A2SB 600-1/2 IV			13.2	44.45	IV	23.37	43.43	35.05	135.00
A2SB 650-3/8 III*	650	350	10.2	25.40	III	24.33	44.81	36.10	118.00
A2SB 650-1/2 IV*			13.2	44.45	IV	24.33	44.81	36.10	137.00
A2SB 750-3/8 III	750	400	10.2	25.40	III	26.16	48.01	36.07	118.00
A2SB 750-1/2 IV			13.2	44.45	IV	26.16	48.01	36.07	137.00
A2SB 1000-1/2 VII	1000	500	13.2	31.75	VII	29.72	55.63	41.91	133.00
A2SB 1000-1/2 IV			13.2	44.45	IV	29.72	55.63	41.91	147.00

RLLB 2E

Technical Data :

Two-Hole Lugs - Long Barrel

For Copper Conductor, Conductor Range 6 - 1000 Sq mm



Characteristics

- Longer length barrel permits extra crimps for additional assurance on heavy duty loads.
- 2 Hole heavy duty lugs are best suited in application where two bolts are needed to avoid rotation or movement of the lugs.
- Stud hole spacing of RLLB 2E Lugs are as per NEMA standards.
- Annealed material optimizes material and crimping properties
- Flat contact surface and precise stud holes as per the Metric standard

Material

- High Conductivity ETP-Copper

Finish

- Electro Tin Plated

Catalogue Code	Nominal Cross Section Sq mm	Bolt Size	Dimensions (mm)							
			Stud Hole ØE	Hole Spacing	Barrel ID ØA	Palm Width D	Stud Centre Distance		Barrel Length B	Total Length J
							G	H		
RLLB 6 2E-6*	6	M6	6.5	44.5	3.8	12.0	7.0	7.0	15.0	76.0
RLLB 6 2E-8		M8	8.4	44.5	3.8	12.0	7.0	7.0	15.0	76.0
RLLB 10 2E-6*	10	M6	6.5	44.5	4.5	12.0	7.0	7.0	15.0	78.5
RLLB 10 2E-8		M8	8.4	44.5	4.5	12.0	7.0	7.0	15.0	78.5
RLLB 10 2E-10*		M10	10.5	44.5	4.5	15.0	10.0	10.0	15.0	84.5
RLLB 10 2E-12*		M12	13.0	44.5	4.5	17.0	10.0	12.0	15.0	86.5
RLLB 16 2E-6*	16	M6	6.5	44.5	5.4	12.0	7.0	7.0	18.0	79.5
RLLB 16 2E-8		M8	8.4	44.5	5.4	12.0	7.0	7.0	18.0	79.5
RLLB 16 2E-10		M10	10.5	44.5	5.4	15.0	7.0	7.0	18.0	79.5
RLLB 16 2E-12		M12	13.0	44.5	5.4	17.0	10.0	12.0	18.0	85.5
RLLB 25 2E-8	25	M8	8.4	44.5	6.8	13.0	8.0	12.0	16.0	85.5
RLLB 25 2E-10		M10	10.5	44.5	6.8	15.0	8.0	12.0	16.0	85.5
RLLB 25 2E-12		M12	13.0	44.5	6.8	17.0	8.0	12.0	16.0	85.5
RLLB 35 2E-8	35	M8	8.4	44.5	8.2	16.0	9.0	14.0	20.0	92.5
RLLB 35 2E-10		M10	10.5	44.5	8.2	16.0	9.0	14.0	20.0	92.5
RLLB 35 2E-12		M12	13.0	44.5	8.2	16.0	9.0	14.0	20.0	92.5
RLLB 50 2E-8	50	M8	8.4	44.5	9.5	18.0	10.0	16.0	26.0	103.5
RLLB 50 2E-10		M10	10.5	44.5	9.5	18.0	10.0	16.0	26.0	103.5
RLLB 50 2E-12		M12	13.0	44.5	9.5	20.0	10.0	16.0	26.0	103.5
RLLB 50 2E-14		M14	14.5	44.5	9.5	20.0	10.0	16.0	26.0	103.5

Continued...

*Non-UL

RLLB 2E

Technical Data :

RLLB 2E Two-Hole Lugs - Standard Barrel ...Continued

Catalogue Code	Nominal Cross Section Sq mm	Bolt Size	Dimensions (mm)							
			Stud Hole ØE	Hole Spacing	Barrel ID	Palm Width	Stud Centre Distance		Barrel Length	Total Length
					ØA	D	G	H	B	J
RLLB 70 2E-8	70	M8	8.4	44.5	11.3	21.0	12.0	19.0	28.0	110.5
RLLB 70 2E-10		M10	10.5	44.5	11.3	21.0	12.0	19.0	28.0	110.5
RLLB 70 2E-12		M12	13.0	44.5	11.3	21.0	12.0	19.0	28.0	110.5
RLLB 70 2E-14		M14	14.5	44.5	11.3	22.0	12.0	19.0	28.0	110.5
RLLB 70 2E-16		M16	17.0	44.5	11.3	22.0	14.5	16.5	28.0	110.5
RLLB 95 2E-8	95	M8	8.4	44.5	13.5	25.0	12.0	20.0	32.0	118.5
RLLB 95 2E-10		M10	10.5	44.5	13.5	25.0	12.0	20.0	32.0	118.5
RLLB 95 2E-12		M12	13.0	44.5	13.5	25.0	12.0	20.0	32.0	118.5
RLLB 95 2E-14		M14	14.5	44.5	13.5	25.0	14.0	19.0	32.0	119.5
RLLB 95 2E-16		M16	17.0	44.5	13.5	25.0	14.0	19.0	32.0	119.5
RLLB 95 2E-18		M18	19.0	44.5	13.5	25.0	14.0	19.0	32.0	119.5
RLLB 120 2E-8	120	M8	8.4	44.5	15.0	28.0	14.0	23.0	35.0	126.5
RLLB 120 2E-10		M10	10.5	44.5	15.0	28.0	14.0	23.0	35.0	126.5
RLLB 120 2E-12		M12	13.0	44.5	15.0	28.0	14.0	23.0	35.0	126.5
RLLB 120 2E-14		M14	14.5	44.5	15.0	28.0	14.0	23.0	35.0	126.5
RLLB 120 2E-16		M16	17.0	44.5	15.0	28.0	14.0	23.0	35.0	126.5
RLLB 120 2E-18		M18	19.0	44.5	15.0	28.0	14.0	23.0	35.0	126.5
RLLB 120 2E-20		M20	21.0	44.5	15.0	28.0	14.0	23.0	35.0	126.5
RLLB 150 2E-8	150	M8	8.4	44.5	16.5	30.0	14.0	24.0	38.0	130.5
RLLB 150 2E-10		M10	10.5	44.5	16.5	30.0	14.0	24.0	38.0	130.5
RLLB 150 2E-12		M12	13.0	44.5	16.5	30.0	14.0	24.0	38.0	130.5
RLLB 150 2E-14		M14	14.5	44.5	16.5	30.0	14.0	24.0	38.0	130.5
RLLB 150 2E-16		M16	17.0	44.5	16.5	30.0	14.0	24.0	38.0	130.5
RLLB 150 2E-18		M18	19.0	44.5	16.5	30.0	14.0	24.0	38.0	130.5
RLLB 150 2E-20		M20	21.0	44.5	16.5	30.0	14.0	24.0	38.0	130.5
RLLB 185 2E-8	185	M8	8.4	44.5	18.5	34.0	17.0	23.0	43.0	139.5
RLLB 185 2E-10		M10	10.5	44.5	18.5	34.0	17.0	23.0	43.0	139.5
RLLB 185 2E-12		M12	13.0	44.5	18.5	34.0	17.0	23.0	43.0	139.5
RLLB 185 2E-14		M14	14.5	44.5	18.5	34.0	17.0	23.0	43.0	139.5
RLLB 185 2E-16		M16	17.0	44.5	18.5	34.0	17.0	23.0	43.0	139.5
RLLB 185 2E-18		M18	19.0	44.5	18.5	34.0	17.0	23.0	43.0	139.5
RLLB 185 2E-20		M20	21.0	44.5	18.5	34.0	17.0	23.0	43.0	139.5
RLLB 240 2E-8	240	M8	8.4	44.5	21.0	38.0	20.0	30.0	50.0	156.5
RLLB 240 2E-10		M10	10.5	44.5	21.0	38.0	20.0	30.0	50.0	156.5
RLLB 240 2E-12		M12	13.0	44.5	21.0	38.0	20.0	30.0	50.0	156.5
RLLB 240 2E-14		M14	14.5	44.5	21.0	38.0	20.0	30.0	50.0	156.5
RLLB 240 2E-16		M16	17.0	44.5	21.0	38.0	20.0	30.0	50.0	156.5
RLLB 240 2E-18		M18	19.0	44.5	21.0	38.0	20.0	30.0	50.0	156.5
RLLB 240 2E-20		M20	21.0	44.5	21.0	38.0	20.0	30.0	50.0	156.5

Continued...

RLLB 2E

Technical Data :

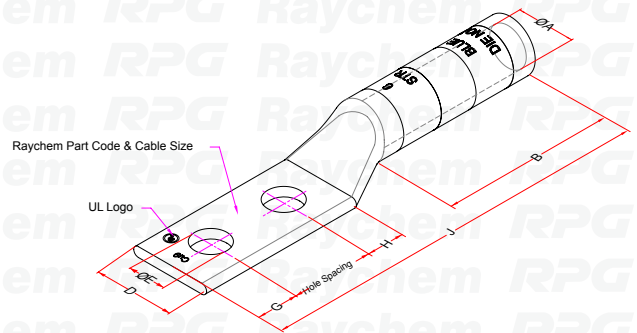
RLLB 2E Two-Hole Lugs - Standard Barrel ...Continued

Catalogue Code	Nominal Cross Section Sq mm	Bolt Size	Dimensions (mm)							
			Stud Hole ØE	Hole Spacing	Barrel ID ØA	Palm Width D	Stud Centre Distance		Barrel Length B	Total Length J
							G	H		
RLLB 300 2E-10	300	M10	10.5	44.5	23.5	43.0	20.0	32.0	54.0	164.5
RLLB 300 2E-12		M12	13.0	44.5	23.5	43.0	20.0	32.0	54.0	164.5
RLLB 300 2E-14		M14	14.5	44.5	23.5	43.0	20.0	32.0	54.0	164.5
RLLB 300 2E-16		M16	17.0	44.5	23.5	43.0	20.0	32.0	54.0	164.5
RLLB 300 2E-18		M18	19.0	44.5	23.5	43.0	20.0	32.0	54.0	164.5
RLLB 300 2E-20		M20	21.0	44.5	23.5	43.0	20.0	32.0	54.0	164.5
RLLB 400 2E-10	400	M10	10.5	44.5	28.5	52.5	22.0	34.0	62.0	178.5
RLLB 400 2E-12		M12	13.0	44.5	28.5	52.5	22.0	34.0	62.0	178.5
RLLB 400 2E-14		M14	14.5	44.5	28.5	52.5	22.0	34.0	62.0	178.5
RLLB 400 2E-16		M16	17.0	44.5	28.5	52.5	22.0	34.0	62.0	178.5
RLLB 400 2E-18		M18	19.0	44.5	28.5	52.5	22.0	34.0	62.0	178.5
RLLB 400 2E-20		M20	21.0	44.5	28.5	52.5	22.0	34.0	62.0	178.5
RLLB 500 2E-10	500	M10	10.5	44.5	30.0	56.0	28.0	28.0	69.0	189.5
RLLB 500 2E-12		M12	13.0	44.5	30.0	56.0	28.0	28.0	69.0	189.5
RLLB 500 2E-14		M14	14.5	44.5	30.0	56.0	28.0	28.0	69.0	189.5
RLLB 500 2E-16		M16	17.0	44.5	30.0	56.0	28.0	28.0	69.0	189.5
RLLB 500 2E-18		M18	19.0	44.5	30.0	56.0	28.0	28.0	69.0	189.5
RLLB 500 2E-20		M20	21.0	44.5	30.0	56.0	28.0	28.0	69.0	189.5
RLLB 630 2E-10	630	M10	10.5	44.5	35.0	63.8	30.0	30.0	78.0	202.5
RLLB 630 2E-12		M12	13.0	44.5	35.0	63.8	30.0	30.0	78.0	202.5
RLLB 630 2E-14		M14	14.5	44.5	35.0	63.8	30.0	30.0	78.0	202.5
RLLB 630 2E-16		M16	17.0	44.5	35.0	63.8	30.0	30.0	78.0	202.5
RLLB 630 2E-18		M18	19.0	44.5	35.0	63.8	30.0	30.0	78.0	202.5
RLLB 630 2E-20		M20	21.0	44.5	35.0	63.8	30.0	30.0	78.0	202.5
RLLB 800 2E-10*	800	M10	10.5	44.5	39.0	72.0	20.0	20.0	97.0	208.0
RLLB 800 2E-12*		M12	13.0	44.5	39.0	72.0	20.0	20.0	97.0	208.0
RLLB 800 2E-14*		M14	14.5	44.5	39.0	72.0	20.0	20.0	97.0	208.0
RLLB 800 2E-16*		M16	17.0	44.5	39.0	72.0	22.0	22.0	97.0	212.0
RLLB 800 2E-20*		M20	21.0	44.5	39.0	72.0	22.0	22.0	97.0	212.0
RLLB 1000 2E-10*		1000	M10	10.5	44.5	44.0	79.0	20.0	20.0	126.0
RLLB 1000 2E-12*	M12		13.0	44.5	44.0	79.0	20.0	20.0	126.0	238.0
RLLB 1000 2E-14*	M14		14.5	44.5	44.0	79.0	20.0	20.0	126.0	238.0
RLLB 1000 2E-16*	M16		17.0	44.5	44.0	79.0	22.0	22.0	126.0	242.0
RLLB 1000 2E-20*	M20		21.0	44.5	44.0	79.0	22.0	22.0	126.0	242.0

Note : Non-UL

Technical Data : Two-Hole Lugs - Long Barrel

For Copper Conductor, Conductor Range 8 - 1000 AWG



Characteristics

- Best suited in application where two bolts are needed to avoid rotation or movement of the lugs.
- Long barrel permits multiple crimps for secured connection
- Seamless, one piece copper construction with tin plating assures maximum conductivity and avoids oxidation of copper
- The copper conductivity of the lugs is => 97% IACS and purity = 99.9% min.

Order Info

Also available with Inspection Window, Add Suffix **B** – With inspection window

Material

- High Conductivity ETP-Copper

Finish

- Electro Tin Plated

Catalogue Code	Nominal Cross Section (AWG / Sq mm)		Dimensions (mm)								
			Stud Hole ØE	Hole Spacing	Type	Barrel ID		Stud Centre Distance		Barrel Length B	Total Length J
	AWG	Sq mm				ØA	D	G	H		
A2LB 8-1/4 I	8	10	6.8	15.88	I	4.40	10.70	8.5	8.3	20.57	59.2
A2LB 8-1/4 II			6.8	19.05	II	4.40	10.70	8.5	8.3	20.57	62.2
A2LB 6-1/4 I	6	16	6.8	15.88	I	4.95	10.70	8.0	8.0	28.45	67.3
A2LB 6-1/4 III			6.8	25.40	III	4.95	10.70	8.0	8.0	28.45	77.0
A2LB 6-1/4 IV			6.8	44.45	IV	4.95	10.70	8.0	8.0	28.45	77.0
A2LB 6-3/8 II			10.2	19.05	II	4.95	14.50	10.5	10.5	28.45	75.4
A2LB 6-3/8 III	10.2	25.40	III	4.95	14.50	10.5	10.5	28.45	81.8		
A2LB 6-1/2 IV	13.2	44.45	IV	4.95	20.57	15.8	15.8	28.45	111.8		
A2LB 4-1/4 I	4	25	6.8	15.88	I	6.30	12.70	8.5	8.5	28.45	68.6
A2LB 4-1/4 II			6.8	19.05	II	6.30	12.70	8.5	8.5	28.45	71.9
A2LB 4-5/16 I			8.4	15.88	I	6.30	12.70	8.5	8.5	28.45	71.9
A2LB 4-3/8 I			10.2	15.88	I	6.30	12.70	8.5	8.5	28.45	71.9
A2LB 4-3/8 III			10.2	25.40	III	6.30	14.22	10.5	11.0	28.45	82.8
A2LB 4-3/8 IV			10.2	44.45	IV	6.30	14.22	10.5	11.0	28.45	82.8
A2LB 4-1/2 IV			13.2	44.45	IV	6.30	20.57	15.5	17.0	28.45	113.0
A2LB 2-1/4 I			2	35	6.8	15.88	I	7.80	15.49	11.0	11.7
A2LB 2-1/4 II	6.8	19.05			II	7.80	15.49	11.0	11.7	31.75	80.5
A2LB 2-5/16 II	8.4	19.05			II	7.80	15.49	11.0	11.7	31.75	80.5
A2LB 2-3/8 IV	10.2	44.45			IV	7.80	15.49	11.0	11.7	31.75	105.9
A2LB 2-3/8 III	10.2	25.40			III	7.80	15.49	11.0	11.7	31.75	86.9
A2LB 2-1/2 IV	13.2	44.45			IV	7.80	15.49	11.0	11.7	31.75	105.9

Continued...

A2LB

Technical Data :

A2LB Two-Hole Lugs - Long Barrel ...Continued

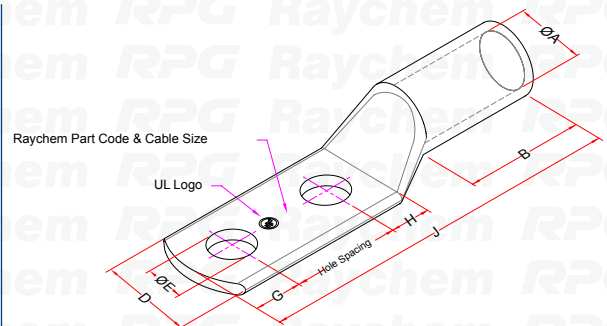
Catalogue Code	Nominal Cross Section (AWG / Sq mm)		Dimensions (mm)								
			Stud Hole	Hole Spacing	Type	Barrel ID	Palm Width	Stud Centre Distance		Barrel Length	Total Length
	ØE	ØA						D	G		
A2LB 1-1/4 I	1	42	6.8	15.88	I	8.99	17.27	16.0	18.9	35.05	93.5
A2LB 1-1/4 II			6.8	19.05	II	8.99	17.27	16.0	18.9	35.05	96.5
A2LB 1-5/16 II			8.4	19.05	II	8.99	17.27	16.0	18.9	35.05	96.5
A2LB 1-3/8 III			10.2	25.40	III	8.99	17.27	16.0	18.9	35.05	102.9
A2LB 1-1/2 IV			13.2	44.45	IV	8.99	19.05	16.0	18.9	35.05	122.4
A2LB 1/0-1/4 I	1/0	50	6.8	15.88	I	9.93	19.05	16.0	17.7	35.05	91.9
A2LB 1/0-1/4 II			6.8	19.05	II	9.93	19.05	16.0	17.7	35.05	95.3
A2LB 1/0-5/16 III			8.4	25.40	III	9.93	19.05	16.0	17.7	35.05	102.0
A2LB 1/0-3/8 III			10.2	25.40	III	9.93	19.05	16.0	17.7	35.05	102.0
A2LB 1/0-3/8 IV			10.2	44.45	IV	9.93	19.05	16.0	17.7	35.05	121.9
A2LB 1/0-1/2 IV			13.2	44.45	IV	9.93	20.57	16.0	17.7	35.05	122.2
A2LB 2/0-1/4 I	2/0	70	6.8	15.88	I	11.33	20.83	16.0	16.7	38.10	95.3
A2LB 2/0-1/4 II			6.8	19.05	II	11.33	20.83	16.0	16.7	38.10	99.1
A2LB 2/0-3/8 III			10.2	25.40	III	11.33	20.83	16.0	16.7	38.10	105.4
A2LB 2/0-3/8 IV			10.2	44.45	IV	11.30	20.83	16.0	16.7	38.10	126.2
A2LB 2/0-1/2 IV			13.2	44.45	IV	11.33	20.83	16.0	16.7	38.10	126.2
A2LB 2/0-3/4 IV			20.0	44.45	IV	11.33	20.83	18.0	18.0	38.10	126.3
A2LB 3/0-1/4 II	3/0	95	6.8	19.05	II	12.37	23.11	16.0	17.7	38.10	101.6
A2LB 3/0-3/8 III			10.2	25.40	III	12.37	23.11	16.0	17.7	38.10	108.0
A2LB 3/0-1/2 IV			13.2	44.45	IV	12.37	23.11	16.0	17.7	38.10	127.3
A2LB 3/0-1/2 III			13.2	25.40	III	12.37	23.11	16.0	17.7	38.10	108.0
A2LB 4/0-1/4 II	4/0	120	6.8	19.05	II	14.20	25.40	16.0	17.7	41.15	105.4
A2LB 4/0-3/8 IV			10.2	44.45	IV	14.20	25.40	16.0	17.7	41.15	130.8
A2LB 4/0-3/8 III			10.2	25.40	III	14.20	25.40	16.0	17.7	41.15	111.8
A2LB 4/0-1/2 IV			13.2	44.45	IV	14.20	25.40	16.0	17.7	41.15	131.3
A2LB 250-3/8 III	250	130	10.2	25.40	III	15.09	27.69	17.0	17.7	41.15	113.3
A2LB 250-1/2 IV			13.2	44.45	IV	15.09	27.69	17.0	17.7	41.15	132.3
A2LB 300-3/8 III	300	150	10.2	25.40	III	16.48	30.48	18.0	18.0	50.80	124.2
A2LB 300-1/2 IV			13.2	44.45	IV	16.48	30.48	18.0	18.0	50.80	143.3
A2LB 300-3/4 IV			20.0	44.45	IV	16.48	30.48	18.0	18.0	50.80	143.3
A2LB 350-1/4 II	350	185	6.8	19.05	II	17.78	32.77	17.0	18.0	50.80	115.6
A2LB 350-3/8 III			10.2	25.40	III	17.78	32.77	17.0	18.0	50.80	123.2
A2LB 400-3/8 III	400	200	10.2	25.40	III	19.25	35.05	18.0	18.3	53.85	127.0
A2LB 400-1/2 IV			13.2	44.45	IV	19.25	35.05	18.0	18.3	53.85	148.6
A2LB 500-1/4 II	500	240	6.8	19.05	II	21.08	39.12	17.0	18.3	57.15	123.2
A2LB 500-3/8 III			10.2	25.40	III	21.08	39.12	17.0	18.3	57.15	129.5
A2LB 500-1/2 IV			13.2	44.45	IV	21.08	39.12	17.0	18.3	57.15	153.9
A2LB 600-3/8 III	600	300	10.2	25.40	III	23.37	43.43	18.0	18.6	68.33	142.0
A2LB 600-1/2 IV			13.2	44.45	IV	23.37	43.43	18.0	18.6	68.33	167.4
A2LB 650-3/8 III	650	350	10.2	25.40	III	24.33	44.81	16.5	18.0	68.25	148.0
A2LB 650-1/2 IV			13.2	44.45	IV	24.33	44.81	18.0	18.5	68.25	169.0
A2LB 750-3/8 III	750	400	10.2	25.40	III	26.16	48.01	18.0	18.9	73.15	149.1
A2LB 750-1/2 IV			13.2	44.45	IV	26.16	48.01	18.0	18.9	73.15	174.5
A2LB 1000-3/8 III	1000	500	10.2	25.40	III	29.72	55.63	20.0	20.7	76.20	156.0
A2LB 1000-1/2 IV			13.2	44.45	IV	29.72	55.63	20.0	20.7	76.20	181.4

*Non-UL

RLLBE 2E

Technical Data : Two-Hole Lugs - Heavy Duty

For Copper Conductor, Conductor Range 10 - 500 Sq mm



Characteristics

- Extended longer length barrel permits extra crimps for additional assurance and throughout connection of heavy duty loads.
- Stud hole spacing of RLLBE 2E Lugs are as per NEMA standards
- 2 Hole heavy duty lugs are best suited in application where two bolts are needed to avoid rotation or movement of the lugs.
- Annealed material optimizes material and crimping properties
- Flat contact surface and precise stud holes as per the Metric standard

Material

- High Conductivity ETP-Copper

Finish

- Electro Tin Plated

Order Info

Also available with Inspection Window, Add Suffix

A - Without Window

B - With Window

C - With Rectangular Notch

D - Without Window & Flare Barrel Entry

E - With Window & Flare Barrel Entry

F - With Rectangular Notch & Flare Barrel Entry

Catalogue Code	Nominal Cross Section Sq mm	Bolt Size	Dimensions (mm)							
			Stud Hole	Hole Spacing	Barrel ID	Palm Width	Stud Centre Distance		Barrel Length	Total Length
							ØE	ØA		
RLLBE-10-2E-5 - A	10	M5	5.5	44.5	4.5	11.0	7.5	7.0	18.0	83.0
RLLBE-10-2E-6 - A		M6	6.5	44.5	4.5	11.0	7.5	7.0	18.0	83.0
RLLBE-16-2E-5 - A	16	M5	5.5	44.5	5.4	12.0	7.5	7.0	28.0	93.0
RLLBE-16-2E-6 - A		M6	6.5	44.5	5.4	12.0	7.5	7.0	28.0	93.0
RLLBE-25-2E-6 - A	25	M6	6.5	44.5	6.8	13.0	15.0	17.0	31.2	117.2
RLLBE-25-2E-8 - A		M8	8.4	44.5	6.8	13.0	15.0	17.0	31.2	117.2
RLLBE-35-2E-6 - A	35	M6	6.5	44.5	8.2	16.0	15.0	17.0	28.0	115.0
RLLBE-35-2E-8 - A		M8	8.4	44.5	8.2	16.0	15.0	17.0	28.0	115.0
RLLBE-35-2E-10 - A		M10	10.5	44.5	8.2	16.0	15.0	17.0	28.0	115.0
RLLBE-42-2E-6 - A	42	M6	6.5	44.5	9.5	18.0	14.0	16.0	30.0	116.0
RLLBE-42-2E-8 - A		M8	8.4	44.5	9.5	18.0	14.0	16.0	30.0	116.0
RLLBE-42-2E-10 - A		M10	10.5	44.5	9.5	18.0	14.0	16.0	30.0	116.0
RLLBE-42-2E-12 - A		M12	13.0	44.5	9.5	18.0	14.0	16.0	30.0	116.0
RLLBE-50-2E-6 - A	50	M6	6.5	44.5	9.5	18.0	14.0	16.0	33.0	117.5
RLLBE-50-2E-8 - A		M8	8.4	44.5	9.5	18.0	14.0	16.0	33.0	117.5
RLLBE-50-2E-10 - A		M10	10.5	44.5	9.5	18.0	14.0	16.0	33.0	117.5
RLLBE-50-2E-12 - A		M12	13.0	44.5	9.5	18.0	14.0	16.0	33.0	117.5
RLLBE-70-2E-8 - A	70	M8	8.4	44.5	11.3	21.0	14.0	16.0	37.6	121.6
RLLBE-70-2E-10 - A		M10	10.5	44.5	11.3	21.0	14.0	16.0	37.6	121.6
RLLBE-70-2E-12 - A		M12	13.0	44.5	11.3	21.0	14.0	16.0	37.6	121.6
RLLBE-70-2E-14 - A		M14	14.5	44.5	11.3	21.0	14.0	16.0	37.6	121.6

Continued...

RLLBE 2E

Technical Data :

RLLBE 2E Two-Hole Lugs - Heavy Duty ...Continued

Catalogue Code	Nominal Cross Section Sq mm	Bolt Size	Dimensions (mm)							
			Stud Hole ØE	Hole Spacing	Barrel ID ØA	Palm Width D	Stud Centre Distance		Barrel Length B	Total Length J
							G	H		
RLLBE-95-2E-8	95	M8	8.4	44.5	13.5	25.0	16.0	18.0	40.0	132.5
RLLBE-95-2E-10 - A		M10	10.5	44.5	13.5	25.0	16.0	18.0	40.0	132.5
RLLBE-95-2E-12 - A		M12	13.0	44.5	13.5	25.0	16.0	18.0	40.0	132.5
RLLBE-95-2E-14 - A		M14	14.5	44.5	13.5	25.0	16.0	18.0	40.0	132.5
RLLBE-95-2E-16 - A		M16	17.0	44.5	13.5	25.0	16.0	18.0	40.0	132.5
RLLBE-120-2E-8 - A	120	M8	8.4	44.5	14.2	25.5	16.0	18.0	41.9	134.4
RLLBE-120-2E-10 - A		M10	10.5	44.5	14.2	25.5	16.0	18.0	41.9	134.4
RLLBE-120-2E-12 - A		M12	13.0	44.5	14.2	25.5	16.0	18.0	41.9	134.4
RLLBE-120-2E-14 - A		M14	14.5	44.5	14.2	25.5	16.0	18.0	41.9	134.4
RLLBE-120-2E-16 - A		M16	17.0	44.5	14.2	25.5	16.0	18.0	41.9	134.4
RLLBE-130-2E-8 - A	130	M8	8.4	44.5	16.0	28.0	16.0	18.0	46.0	138.5
RLLBE-130-2E-10 - A		M10	10.5	44.5	16.0	28.0	16.0	18.0	46.0	138.5
RLLBE-130-2E-12 - A		M12	13.0	44.5	16.0	28.0	16.0	18.0	46.0	138.5
RLLBE-130-2E-14 - A		M14	14.5	44.5	16.0	28.0	16.0	18.0	46.0	138.5
RLLBE-130-2E-16 - A		M16	17.0	44.5	16.0	28.0	16.0	18.0	46.0	138.5
RLLBE-130-2E-18 - A	M18	19.0	44.5	16.0	28.0	16.0	18.0	46.0	138.5	
RLLBE-150-2E-8 - A	150	M8	8.4	44.5	16.5	30.0	14.0	16.0	53.0	141.0
RLLBE-150-2E-10 - A		M10	10.5	44.5	16.5	30.0	14.0	16.0	53.0	141.0
RLLBE-150-2E-12 - A		M12	13.0	44.5	16.5	30.0	14.0	16.0	53.0	141.0
RLLBE-150-2E-14 - A		M14	14.5	44.5	16.5	30.0	14.0	16.0	53.0	141.0
RLLBE-150-2E-16 - A		M16	17.0	44.5	16.5	30.0	14.0	16.0	53.0	141.0
RLLBE-150-2E-18 - A		M18	19.0	44.5	16.5	30.0	14.0	16.0	53.0	141.0
RLLBE-150-2E-20 - A		M20	21.0	44.5	16.5	30.0	14.0	16.0	53.0	141.0
RLLBE-150-2E - BL	-	-	-	44.5	16.5	30.0	14.0	16.0	53.0	141.0
RLLBE-185-2E-8 - A	185	M8	8.4	44.5	18.5	34.0	16.0	18.0	54.0	145.0
RLLBE-185-2E-10 - A		M10	10.5	44.5	18.5	34.0	16.0	18.0	54.0	145.0
RLLBE-185-2E-12 - A		M12	13.0	44.5	18.5	34.0	16.0	18.0	54.0	145.0
RLLBE-185-2E-14 - A		M14	14.5	44.5	18.5	34.0	16.0	18.0	54.0	145.0
RLLBE-185-2E-16 - A		M16	17.0	44.5	18.5	34.0	16.0	18.0	54.0	145.0
RLLBE-185-2E-18 - A		M18	19.0	44.5	18.5	34.0	16.0	18.0	54.0	145.0
RLLBE-185-2E-20 - A		M20	21.0	44.5	18.5	34.0	16.0	18.0	54.0	145.0
RLLBE-185-2E - BL	-	-	-	44.5	18.5	34.0	16.0	18.0	54.0	145.0
RLLBE-200-2E-8 - A	200	M8	8.4	44.5	19.7	34.0	16.0	18.0	60.0	152.0
RLLBE-200-2E-10 - A		M10	10.5	44.5	19.7	34.0	16.0	18.0	60.0	152.0
RLLBE-200-2E-12 - A		M12	13.0	44.5	19.7	34.0	16.0	18.0	60.0	152.0
RLLBE-200-2E-14 - A		M14	14.5	44.5	19.7	34.0	16.0	18.0	60.0	152.0
RLLBE-200-2E-16 - A		M16	17.0	44.5	19.7	34.0	16.0	18.0	60.0	152.0
RLLBE-200-2E-18 - A		M18	19.0	44.5	19.7	34.0	16.0	18.0	60.0	152.0
RLLBE-200-2E-20 - A		M20	21.0	44.5	19.7	34.0	16.0	18.0	60.0	152.0
RLLBE-200-2E - BL	-	-	-	44.5	19.7	34.0	16.0	18.0	60.0	152.0

Continued...

*Non-UL

RLLBE 2E

Technical Data :

RLLBE 2E Two-Hole Lugs - Heavy Duty ...Continued

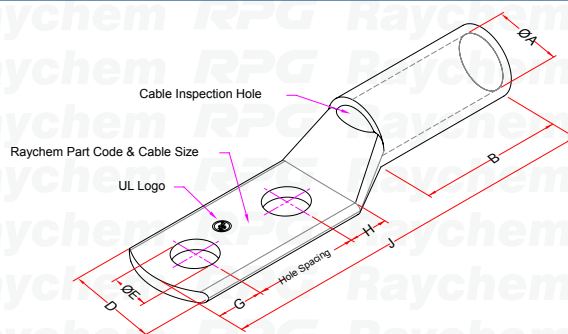
Catalogue Code	Nominal Cross Section Sq mm	Bolt Size	Dimensions (mm)							
			Stud Hole ØE	Hole Spacing	Barrel ID ØA	Palm Width D	Stud Centre Distance		Barrel Length B	Total Length J
							G	H		
RLLBE-240-2E-8 - A	240	M8	8.4	44.5	21.0	38.0	16.0	20.0	64.7	159.7
RLLBE-240-2E-10 - A		M10	10.5	44.5	21.0	38.0	16.0	20.0	64.7	159.7
RLLBE-240-2E-12 - A		M12	13.0	44.5	21.0	38.0	16.0	20.0	64.7	159.7
RLLBE-240-2E-14 - A		M14	14.5	44.5	21.0	38.0	16.0	20.0	64.7	159.7
RLLBE-240-2E-16 - A		M16	17.0	44.5	21.0	38.0	16.0	20.0	64.7	159.7
RLLBE-240-2E-18 - A		M18	19.0	44.5	21.0	38.0	16.0	20.0	64.7	159.7
RLLBE-240-2E-20 - A		M20	21.0	44.5	21.0	38.0	16.0	20.0	64.7	159.7
RLLBE-240-2E-BL - A		-	-	44.5	21.0	38.0	16.0	20.0	64.7	159.7
RLLBE-300-2E-10 - A	300	M10	10.5	44.5	23.5	43.0	22.0	22.0	74.0	181.5
RLLBE-300-2E-12 - A		M12	13.0	44.5	23.5	43.0	22.0	22.0	74.0	181.5
RLLBE-300-2E-14 - A		M14	14.5	44.5	23.5	43.0	22.0	22.0	74.0	181.5
RLLBE-300-2E-16 - A		M16	17.0	44.5	23.5	43.0	22.0	22.0	74.0	181.5
RLLBE-300-2E-18 - A		M18	19.0	44.5	23.5	43.0	22.0	22.0	74.0	181.5
RLLBE-300-2E-20 - A		M20	21.0	44.5	23.5	43.0	22.0	22.0	74.0	181.5
RLLBE-300-2E - BL		-	-	44.5	23.5	43.0	22.0	22.0	74.0	181.5
RLLBE-400-2E-10 - A	400	M10	10.5	44.5	28.5	52.5	17.0	19.0	84.0	185.5
RLLBE-400-2E-12 - A		M12	13.0	44.5	28.5	52.5	17.0	19.0	84.0	185.5
RLLBE-400-2E-14 - A		M14	14.5	44.5	28.5	52.5	17.0	19.0	84.0	185.5
RLLBE-400-2E-16 - A		M16	17.0	44.5	28.5	52.5	17.0	19.0	84.0	185.5
RLLBE-400-2E-18 - A		M18	19.0	44.5	28.5	52.5	17.0	19.0	84.0	185.5
RLLBE-400-2E-20 - A		M20	21.0	44.5	28.5	52.5	17.0	19.0	84.0	185.5
RLLBE-400-2E-BL - A		-	-	44.5	28.5	52.5	17.0	19.0	84.0	185.5
RLLBE-500-2E-10 - A	500	M10	10.5	44.5	30.0	56.0	20.0	20.0	85.0	195.0
RLLBE-500-2E-12 - A		M12	13.0	44.5	30.0	56.0	20.0	20.0	85.0	195.0
RLLBE-500-2E-14 - A		M14	14.5	44.5	30.0	56.0	20.0	20.0	85.0	195.0
RLLBE-500-2E-16 - A		M16	17.0	44.5	30.0	56.0	20.0	20.0	85.0	195.0
RLLBE-500-2E-18 - A		M18	19.0	44.5	30.0	56.0	20.0	20.0	85.0	195.0
RLLBE-500-2E-20 - A		M20	21.0	44.5	30.0	56.0	20.0	20.0	85.0	195.0
RLLBE-500-2E - BL		-	-	44.5	30.0	56.0	20.0	20.0	85.0	195.0

RLHV 2E

Technical Data :

Two-Hole Lugs - Heavy Duty

For Copper Conductor, Conductor Range 25 - 630 Sq mm



Characteristics

- HV Lugs are specially designed to with stand high voltage applications upto 33 KV.
- Stud hole spacing of RHLV 2E Lugs are as per NEMA standards
- 2 Hole heavy duty lugs are best suited in application where two bolts are needed to avoid rotation or movement of the lugs
- Annealed material optimizes material and crimping properties
- Flat contact surface and precise stud holes as per the Metric standard

Material

High Conductivity ETP-Copper

Finish

- Electro Tin Plated

Catalogue Code	Nominal Cross Section Sq mm	Bolt Size	Dimensions (mm)							
			Stud Hole ØE	Hole Spacing	Barrel ID ØA	Palm Width D	Stud Centre Distance		Barrel Length B	Total Length J
							G	H		
RLHV 25 -2E-6	25	M6	6.5	44.5	6.8	16.0	15.0	17.0	37.0	123.0
RLHV 25 -2E-8		M8	8.4	44.5	6.8	16.0	15.0	17.0	37.0	123.0
RLHV 25 -2E-10		M10	10.5	44.5	6.8	16.0	15.0	17.0	37.0	123.0
RLHV 25 -2E-12		M12	13.0	44.5	6.8	18.0	15.0	17.0	37.0	123.0
RLHV 35 -2E-6	35	M6	6.5	44.5	8.2	18.0	15.0	17.0	37.0	124.0
RLHV 35 -2E-8		M8	8.4	44.5	8.2	18.0	15.0	17.0	37.0	124.0
RLHV 35 -2E-10		M10	10.5	44.5	8.2	18.0	15.0	17.0	37.0	124.0
RLHV 35 -2E-12		M12	13.0	44.5	8.2	18.0	15.0	17.0	37.0	124.0
RLHV 35 -2E-14		M14	14.5	44.5	8.2	18.0	15.0	17.0	37.0	124.0
RLHV 35-2E-16		M16	17.0	44.5	8.2	18.0	15.0	17.0	37.0	124.0
RLHV 50 -2E-6	50	M6	6.8	44.5	9.5	20.0	14.0	16.0	39.5	124.0
RLHV 50 -2E-8		M8	8.4	44.5	9.5	20.0	14.0	16.0	39.5	124.0
RLHV 50 -2E-10		M10	10.5	44.5	9.5	20.0	14.0	16.0	39.5	124.0
RLHV 50 -2E-12		M12	13.0	44.5	9.5	20.0	14.0	16.0	39.5	124.0
RLHV 50 -2E-14		M14	14.5	44.5	9.5	20.0	14.0	16.0	39.5	124.0
RLHV 50 -2E-16		M16	17.0	44.5	9.5	20.0	14.0	16.0	34.0	124.0
RLHV 70 -2E-6	70	M6	6.5	44.5	11.0	23.0	14.0	16.0	42.0	126.0
RLHV 70 -2E-8		M8	8.4	44.5	11.0	23.0	14.0	16.0	42.0	126.0
RLHV 70 -2E-10		M10	10.5	44.5	11.0	23.0	14.0	16.0	42.0	126.0
RLHV 70 -2E-12		M12	13.0	44.5	11.0	23.0	14.0	16.0	42.0	126.0
RLHV 70 -2E-14		M14	14.5	44.5	11.0	23.0	14.0	16.0	42.0	126.0
RLHV 70-2E 16		M16	17.0	44.5	11.0	23.0	14.0	16.0	36.0	126.0

Continued...

*Non-UL

RLHV 2E

Technical Data :

RLHV 2E Two-Hole Lugs - Heavy Duty ...Continued

Catalogue Code	Nominal Cross Section Sq mm	Bolt Size	Dimensions (mm)							
			Stud Hole ØE	Hole Spacing	Barrel ID ØA	Palm Width D	Stud Centre Distance		Barrel Length B	Total Length J
							G	H		
RLHV 95 -2E-8	95	M8	8.4	44.5	13.5	27.0	16.0	18.0	46.0	138.5
RLHV 95 -2E-10		M10	10.5	44.5	13.5	27.0	16.0	18.0	46.0	138.5
RLHV 95 -2E-12		M12	13.0	44.5	13.5	27.0	16.0	18.0	46.0	138.5
RLHV 95 -2E-14		M14	14.5	44.5	13.5	27.0	16.0	18.0	46.0	138.5
RLHV 95 -2E-16		M16	17.0	44.5	13.5	27.0	16.0	18.0	46.0	138.5
RLHV 95 -2E-18		M18	19.0	44.5	13.5	27.0	16.0	18.0	46.0	138.5
RLHV 95 -2E-BL		-	-	-	44.5	13.5	27.0	16.0	18.0	46.0
RLHV 120 -2E-8	120	M8	8.4	44.5	15.0	29.0	16.0	18.0	52.0	144.5
RLHV 120 -2E-10		M10	10.5	44.5	15.0	29.0	16.0	18.0	52.0	144.5
RLHV 120 -2E-12		M12	13.0	44.5	15.0	29.0	16.0	18.0	52.0	144.5
RLHV 120 -2E-14		M14	14.5	44.5	15.0	29.0	16.0	18.0	52.0	144.5
RLHV 120 -2E-16		M16	17.0	44.5	15.0	29.0	16.0	18.0	52.0	144.5
RLHV 120 -2E-18		M18	19.0	44.5	15.0	29.0	16.0	18.0	52.0	144.5
RLHV 120 -2E-20		M20	21.0	44.5	15.0	29.0	16.0	18.0	52.0	144.5
RLHV 120 -2E-BL		-	-	-	44.5	15.0	29.0	16.0	18.0	52.0
RLHV 150 -2E-8	150	M8	8.4	44.5	16.5	32.0	14.0	16.0	56.5	144.5
RLHV 150 -2E-10		M10	10.5	44.5	16.5	32.0	14.0	16.0	56.5	144.5
RLHV 150 -2E-12		M12	13.0	44.5	16.5	32.0	14.0	16.0	56.5	144.5
RLHV 150 -2E-14		M14	14.5	44.5	16.5	32.0	14.0	16.0	56.5	144.5
RLHV 150 -2E-16		M16	17.0	44.5	16.5	32.0	14.0	16.0	56.5	144.5
RLHV 150 -2E-18		M18	19.0	44.5	16.5	32.0	14.0	16.0	56.5	144.5
RLHV 150 -2E-20		M20	21.0	44.5	16.5	32.0	14.0	16.0	56.5	144.5
RLHV 150 -2E-BL		-	-	-	44.5	16.5	32.0	14.0	16.0	56.5
RLHV 185 -2E-8	185	M8	8.4	44.5	18.5	34.0	16.0	18.0	65.0	156.0
RLHV 185 -2E-10		M10	10.5	44.5	18.5	34.0	16.0	18.0	65.0	156.0
RLHV 185 -2E-12		M12	13.0	44.5	18.5	34.0	16.0	18.0	65.0	156.0
RLHV 185 -2E-14		M14	14.5	44.5	18.5	34.0	16.0	18.0	65.0	156.0
RLHV 185 -2E-16		M16	17.0	44.5	18.5	34.0	16.0	18.0	65.0	156.0
RLHV 185 -2E-18		M18	19.0	44.5	18.5	34.0	16.0	18.0	65.0	156.0
RLHV 185 -2E-20		M20	21.0	44.5	18.5	34.0	16.0	18.0	65.0	156.0
RLHV 185 -2E-BL		-	-	-	44.5	18.5	34.0	16.0	18.0	65.0
RLHV 240 -2E-8	240	M8	8.4	44.5	21.0	38.0	16.0	20.0	65.0	160.0
RLHV 240 -2E-10		M10	10.5	44.5	21.0	38.0	16.0	20.0	65.0	160.0
RLHV 240 -2E-12		M12	13.0	44.5	21.0	38.0	16.0	20.0	65.0	160.0
RLHV 240 -2E-14		M14	14.5	44.5	21.0	38.0	16.0	20.0	65.0	160.0
RLHV 240 -2E-16		M16	17.0	44.5	21.0	38.0	16.0	20.0	65.0	160.0
RLHV 240 -2E-18		M18	19.0	44.5	21.0	38.0	16.0	20.0	65.0	160.0
RLHV 240 -2E-20		M20	21.0	44.5	21.0	38.0	16.0	20.0	65.0	160.0
RLHV 240 -2E-BL		-	-	-	44.5	21.0	38.0	16.0	20.0	65.0

Continued...

RLHV 2E

Technical Data :

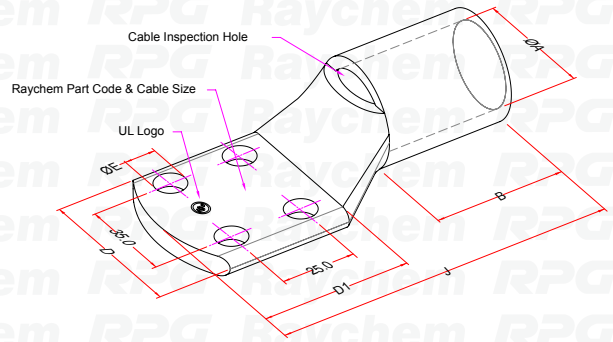
RLHV 2E Two-Hole Lugs - Heavy Duty ...Continued

Catalogue Code	Nominal Cross Section Sq mm	Bolt Size	Dimensions (mm)							
			Stud Hole ØE	Hole Spacing	Barrel ID ØA	Palm Width D	Stud Centre Distance		Barrel Length B	Total Length J
							G	H		
RLHV 300 -2E-8	300	M8	8.4	44.5	23.5	45.0	17.0	19.0	79.5	175.0
RLHV 300 -2E-10		M10	10.5	44.5	23.5	45.0	17.0	19.0	79.5	175.0
RLHV 300 -2E-12		M12	13.0	44.5	23.5	45.0	17.0	19.0	79.5	175.0
RLHV 300 -2E-14		M14	14.5	44.5	23.5	45.0	17.0	19.0	79.5	175.0
RLHV 300 -2E-16		M16	17.0	44.5	23.5	45.0	17.0	19.0	79.5	175.0
RLHV 300 -2E-18		M18	19.0	44.5	23.5	45.0	17.0	19.0	79.5	175.0
RLHV 300 -2E-20		M20	21.0	44.5	23.5	45.0	17.0	19.0	79.5	175.0
RLHV 300 -2E-BL		-	-	44.5	23.5	45.0	17.0	19.0	79.5	175.0
RLHV 400 -2E-10	400	M10	10.5	44.5	27.0	53.0	17.0	19.0	81.0	182.5
RLHV 400 -2E-12		M12	13.0	44.5	27.0	53.0	17.0	19.0	81.0	182.5
RLHV 400 -2E-14		M14	14.5	44.5	27.0	53.0	17.0	19.0	81.0	182.5
RLHV 400 -2E-16		M16	17.0	44.5	27.0	53.0	17.0	19.0	81.0	182.5
RLHV 400 -2E-18		M18	19.0	44.5	27.0	53.0	17.0	19.0	81.0	182.5
RLHV 400 -2E-20		M20	21.0	44.5	27.0	53.0	17.0	19.0	81.0	182.5
RLHV 400 -2E-BL		-	-	44.5	27.0	53.0	17.0	19.0	81.0	182.5
RLHV 500 -2E-10	500	M10	10.5	44.5	30.3	57.0	20.0	20.0	85.5	194.5
RLHV 500 -2E-12		M12	13.0	44.5	30.3	57.0	20.0	20.0	85.5	194.5
RLHV 500 -2E-14		M14	14.5	44.5	30.3	57.0	20.0	20.0	85.5	194.5
RLHV 500 -2E-16		M16	17.0	44.5	30.3	57.0	20.0	20.0	85.5	194.5
RLHV 500 -2E-18		M18	19.0	44.5	30.3	57.0	20.0	20.0	85.5	194.5
RLHV 500 -2E-20		M20	21.0	44.5	30.3	57.0	20.0	20.0	85.5	194.5
RLHV 500 -2E-BL		-	-	44.5	30.3	57.0	20.0	20.0	85.5	194.5
RLHV 630 -2E-10	630	M10	10.5	44.5	33.4	61.0	20.0	20.0	95.5	206.5
RLHV 630 -2E-12		M12	13.0	44.5	33.4	61.0	20.0	20.0	95.5	206.5
RLHV 630 -2E-14		M14	14.5	44.5	33.4	61.0	20.0	20.0	95.5	206.5
RLHV 630 -2E-16		M16	17.0	44.5	33.4	61.0	20.0	20.0	95.5	206.5
RLHV 630 -2E-18		M18	19.0	44.5	33.4	61.0	20.0	20.0	95.5	206.5
RLHV 630 -2E-20		M20	21.0	44.5	33.4	61.0	20.0	20.0	95.5	206.5
RLHV 630 -2E-BL		-	-	44.5	33.4	61.0	20.0	20.0	95.5	206.5

*Non-UL

RLT 4E

Technical Data : Four-Hole Lugs - Transformer Lugs For Copper Conductor, Conductor Range 400 - 1000 Sq mm



Characteristics

- Heavy Duty lugs for transformer application
- Annealed material optimizes material and crimping properties
- Flat contact surface and precise stud holes as per the Metric standard

Material

- High Conductivity ETP-Copper

Finish

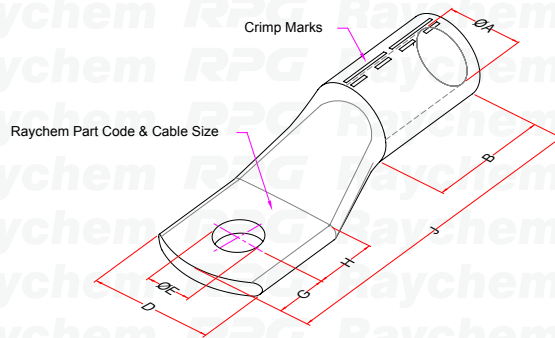
- Electro Tin Plated

Catalogue Code	Nominal Cross Section Sq mm	Bolt Size	Dimensions (mm)						
			Stud Hole	Barrel ID	Palm Width	Stud Centre Distance		Barrel Length	Total Length
			ØE	ØA	D	G	H	B	J
RLT 400 4E-10	400	M10	10.5	28.5	52.5	25.0	35.0	44.0	114.0
RLT 400 4E-12		M12	13.0	28.5	52.5	25.0	35.0	44.0	114.0
RLT 400 4E-BL		-	-	28.5	52.5	-	-	44.0	114.0
RLT 500 4E-10	500	M10	10.5	30.0	56.0	25.0	35.0	48.0	124.0
RLT 500 4E-12		M12	13.0	30.0	56.0	25.0	35.0	48.0	124.0
RLT 500 4E-14		M14	14.5	30.0	56.0	25.0	35.0	48.0	124.0
RLT 500 4E-BL		-	-	30.0	56.0	-	-	48.0	124.0
RLT 630 4E-10	630	M10	10.5	35.0	65.0	25.0	35.0	56.0	146.0
RLT 630 4E-12		M12	13.0	35.0	65.0	25.0	35.0	56.0	146.0
RLT 630 4E-14		M14	14.5	35.0	65.0	25.0	35.0	56.0	146.0
RLT 630 4E-16		M16	17.0	35.0	65.0	25.0	35.0	56.0	146.0
RLT 630 4E-BL		-	-	35.0	65.0	-	-	56.0	146.0
RLT 800 4E-20*	800	M20	21.0	39.0	72.0	35.0	35.0	78.0	170.0
RLT 1000 4E-20*	1000	M20	21.0	43.0	78.5	35.0	35.0	90.0	200.0

Technical Data :

One-Hole Lugs - Copper lugs as per DIN 46235

For Copper Conductor, Conductor Range 6 - 1000 Sq mm



Characteristics

- Lugs are designed as per DIN 46235 standards
- Annealed material optimizes material and crimping properties
- Flat contact surface and precise stud holes as per the Metric standard

Material

- High Conductivity ETP-Copper

Finish

- Electro Tin Plated

Catalogue Code	Nominal Cross Section Sq mm	Bolt Size	Dimensions (mm)							
			Stud Hole	Barrel ID	Barrel OD	Palm Width	Stud Centre Distance		Barrel Length	Total Length
			ØE	ØA	ØB	D	G	H	B	J
RLDS 6-5	6	M5	5.3	3.8	5.5	8.5	9.0	6.0	10.0	33.0
RLDS 6-6		M6	6.4	3.8	5.5	8.5	10.5	8.0	10.0	34.5
RLDS 10-5	10	M5	5.3	4.5	6.0	9.0	9.0	6.0	10.0	36.0
RLDS 10-6		M6	6.4	4.5	6.0	9.0	10.5	8.0	10.0	37.5
RLDS 16-6	16	M6	6.4	5.5	8.5	13.0	10.5	8.0	20.0	46.5
RLDS 16-8		M8	8.4	5.5	8.5	13.0	13.0	10.0	20.0	49.0
RLDS 16-10		M10	10.5	5.5	8.5	13.0	15.0	12.0	20.0	51.0
RLDS 25-6	25	M6	6.4	7.0	10.0	14.0	10.5	8.0	20.0	48.5
RLDS 25-8		M8	8.4	7.0	10.0	16.0	13.0	10.0	20.0	51.0
RLDS 25-10		M10	10.5	7.0	10.0	17.0	15.0	12.0	20.0	53.0
RLDS 25-12		M12	13.0	7.0	10.0	19.0	16.0	13.0	20.0	54.0
RLDS 35-8	35	M8	8.4	8.2	12.5	17.0	13.0	10.0	20.0	55.0
RLDS 35-10		M10	10.5	8.2	12.5	19.0	15.0	12.0	20.0	57.0
RLDS 35-12		M12	13.0	8.2	12.5	21.0	16.0	13.0	20.0	58.0
RLDS 50-8	50	M8	8.4	10.0	14.5	20.0	13.0	10.0	28.0	65.0
RLDS 50-10		M10	10.5	10.0	14.5	22.0	15.0	12.0	28.0	67.0
RLDS 50-12		M12	13.0	10.0	14.5	24.0	16.0	13.0	28.0	68.0
RLDS 50-16		M16	17.0	10.0	14.5	28.0	19.0	16.0	28.0	71.0
RLDS 70-8	70	M8	8.4	11.5	16.5	24.0	13.0	10.0	28.0	68.0
RLDS 70-10		M10	10.5	11.5	16.5	24.0	15.0	12.0	28.0	70.0
RLDS 70-12		M12	13.0	11.5	16.5	24.0	16.0	13.0	28.0	71.0
RLDS 70-16		M16	17.0	11.5	16.5	30.0	19.0	16.0	28.0	74.0

Continued...

* IEC upto 630 sqmm

Technical Data :

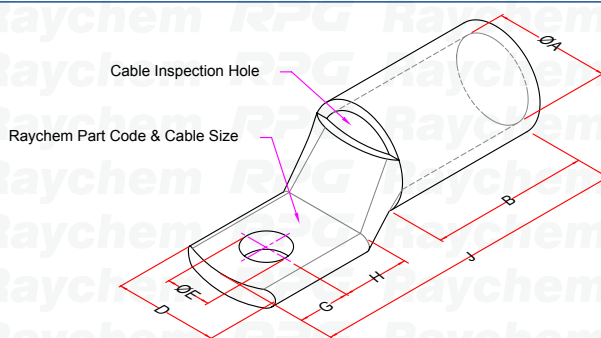
RLDS One-Hole Lugs - Copper lugs as per DIN 46235 ...Continued

Catalogue Code	Nominal Cross Section Sq mm	Bolt Size	Dimensions (mm)							
			Stud Hole	Barrel ID	Barrel OD	Palm Width	Stud Centre Distance		Barrel Length	Total Length
			ØE	ØA	ØB	D	G	H	B	J
RLDS 95-10	95	M10	10.5	13.5	19.0	28.0	15.0	12.0	35.0	80.0
RLDS 95-12		M12	13.0	13.5	19.0	28.0	16.0	13.0	35.0	81.0
RLDS 95-16		M16	17.0	13.5	19.0	32.0	19.0	16.0	35.0	84.0
RLDS 120-10	120	M10	10.5	15.5	21.0	32.0	15.0	12.0	35.0	85.0
RLDS 120-12		M12	13.0	15.5	21.0	32.0	16.0	13.0	35.0	86.0
RLDS 120-16		M16	17.0	15.5	21.0	32.0	19.0	16.0	35.0	89.0
RLDS 120-20		M20	21.0	15.5	21.0	38.0	22.0	20.0	35.0	92.0
RLDS 150-10	150	M10	10.5	17.0	23.5	34.0	15.0	12.0	35.0	93.0
RLDS 150-12		M12	13.0	17.0	23.5	34.0	16.0	13.0	35.0	94.0
RLDS 150-16		M16	17.0	17.0	23.5	34.0	19.0	16.0	35.0	97.0
RLDS 150-20		M20	21.0	17.0	23.5	40.0	22.0	20.0	35.0	100.0
RLDS 185-10	185	M10	10.5	19.0	25.5	37.0	15.0	12.0	40.0	97.0
RLDS 185-12		M12	13.0	19.0	25.5	37.0	16.0	13.0	40.0	98.0
RLDS 185-16		M16	17.0	19.0	25.5	37.0	19.0	16.0	40.0	101.0
RLDS 185-20		M20	21.0	19.0	25.5	40.0	22.0	20.0	40.0	104.0
RLDS 240-12	240	M12	13.0	21.5	29.0	42.0	16.0	13.0	40.0	108.0
RLDS 240-16		M16	17.0	21.5	29.0	42.0	19.0	16.0	40.0	111.0
RLDS 240-20		M20	21.0	21.5	29.0	45.0	22.0	20.0	40.0	114.0
RLDS 300-16	300	M16	17.0	24.5	32.0	48.0	19.0	16.0	50.0	119.0
RLDS 300-20		M20	21.0	24.5	32.0	48.0	22.0	20.0	50.0	122.0
RLDS 400-16	400	M16	17.0	27.5	38.5	55.0	25.0	16.0	70.0	140.0
RLDS 400-20		M20	21.0	27.5	38.5	55.0	25.0	20.0	70.0	140.0
RLDS 500-20	500	M20	21.0	31.0	42.0	60.0	25.0	20.0	70.0	150.0
RLDS 630-20	630	M20	21.0	34.5	44.0	60.0	25.0	20.0	80.0	160.0
RLDS 800-20	800	M20	21.0	40.0	52.0	75.0	25.0	20.0	100.0	190.0
RLDS 1000-20	1000	M20	21.0	44.0	58.0	85.0	25.0	20.0	100.0	190.0

Technical Data :

One-Hole Lugs - Narrow palm

For Copper Conductor, Conductor Range 35 - 300 Sq mm



Characteristics

- Specifically developed for application on circuit breakers with reduced space terminal blocks
- Annealed material optimizes material and crimping properties
- Flat contact surface and precise stud holes as per the Metric standard

Material

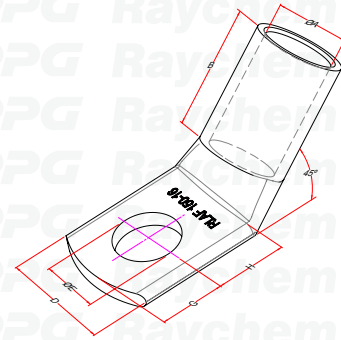
- High Conductivity ETP-Copper

Finish

- Electro Tin Plated

Catalogue Code	Nominal Cross Section Sq mm	Bolt Size	Dimensions (mm)				
			Stud Hole	Barrel ID	Palm Width	Barrel Length	Total Length
			ØE	ØA	D	B	J
RLNP 35-6	35	M6	6.5	8.2	15.0	21.0	41.0
RLNP 50-6		M6	6.5	9.5	15.0	22.0	43.0
RLNP 50-8	50	M8	8.4	9.5	15.0	22.0	46.0
RLNP 50-10		M10	10.5	9.5	19.0	22.0	49.0
RLNP 70-6	70	M6	6.5	11.2	17.0	24.0	45.0
RLNP 70-8		M8	8.4	11.2	17.0	24.0	48.0
RLNP 70-10		M10	10.5	11.2	19.0	24.0	51.0
RLNP 95-8	95	M8	8.4	13.4	19.0	27.0	51.0
RLNP 95-10		M10	10.5	13.4	19.0	27.0	55.0
RLNP 120-8	120	M8	8.4	15.6	19.0	30.0	61.0
RLNP 120-10		M10	10.5	15.6	19.0	30.0	61.0
RLNP 150-8	150	M8	8.4	16.7	19.0	30.0	66.0
RLNP 150-10		M10	10.5	16.7	19.0	30.0	66.0
RLNP 185-10	185	M10	10.5	18.4	31.0	38.0	82.0
RLNP 240-10	240	M10	10.5	21.2	31.0	38.0	82.0
RLNP 300-10	300	M10	10.5	23.5	31.0	42.0	87.0

Technical Data :
One-Hole Lugs - 45° Standard Barrel
 For Copper Conductor, Conductor Range 6 - 400 Sq mm



Characteristics

- Specifically developed for application on 45° Angle Connections
- Annealed material optimizes material and crimping properties
- Flat contact surface and precise stud holes as per the Metric standard

Material

- High Conductivity ETP-Copper

Finish

- Electro Tin Plated

Catalogue Code	Nominal Cross Section Sq mm	Bolt Size	Dimensions (mm)					
			Stud Hole	Barrel ID	Palm Width	Stud Centre Distance		Barrel Length
			ØE	ØA	D	G	H	B
RLAF 6-4	6	M4	4.4	3.8	9.5	4.0	7.0	9.0
RLAF 6-5		M5	5.4	3.8	9.5	4.0	7.0	9.0
RLAF 6-6		M6	6.4	3.8	10.0	5.0	9.0	9.0
RLAF 6-8		M8	8.4	3.8	12.0	7.0	11.0	9.0
RLAF 6-10		M10	10.5	3.8	16.0	10.0	13.0	9.0
RLAF 6-12		M12	13.0	3.8	18.0	12.0	17.0	9.0
RLAF 10-5	10	M5	5.4	4.5	12.0	6.0	10.0	9.0
RLAF 10-6		M6	6.4	4.5	12.0	6.0	10.0	10.0
RLAF 10-8		M8	8.4	4.5	12.0	7.0	12.0	10.0
RLAF 10-10		M10	10.5	4.7	16.0	10.0	13.0	10.0
RLAF 10-12		M12	13.0	4.7	18.0	12.0	18.0	10.0
RLAF 16-5		16	M5	5.4	5.4	12.0	7.0	10.0
RLAF 16-6	M6		6.4	5.4	12.0	7.0	10.0	13.0
RLAF 16-8	M8		8.4	5.4	12.0	7.0	12.0	13.0
RLAF 16-10	M10		10.5	5.5	16.0	10.0	13.0	13.0
RLAF 16-12	M12		13.0	5.5	18.0	12.0	18.0	13.0
RLAF 16-14	M14		15.0	5.5	21.0	14.0	20.0	13.0
RLAF 16-16	M16	17.0	5.5	26.0	16.0	21.0	13.0	
RLAF 25-5	25	M5	5.4	6.8	13.0	7.0	10.0	14.0
RLAF 25-6		M6	6.4	6.8	13.0	7.0	10.0	14.0
RLAF 25-8		M8	8.4	6.8	13.0	7.0	12.0	14.0
RLAF 25-10		M10	10.5	6.8	16.0	10.0	13.0	14.0
RLAF 25-12		M12	13.0	6.8	18.0	12.0	18.0	14.0
RLAF 25-14		M14	15.0	7.1	21.0	12.0	18.0	14.0
RLAF 25-16	M16	17.0	7.1	26.0	16.0	21.0	14.0	

Continued...

Technical Data :

RLAF One-Hole Lugs - 45° Standard Barrel ...Continued

Catalogue Code	Nominal Cross Section Sq mm	Bolt Size	Dimensions (mm)					
			Stud Hole	Barrel ID	Palm Width	Stud Centre Distance		Barrel Length
			ØE	ØA	D	G	H	B
RLAF 35-6	35	M6	6.4	8.2	15.0	9.0	12.0	16.0
RLAF 35-8		M8	8.4	8.2	15.0	9.0	12.0	16.0
RLAF 35-10		M10	10.5	8.2	18.0	10.0	13.0	16.0
RLAF 35-12		M12	13.0	8.2	21.0	12.0	18.0	16.0
RLAF 35-14		M14	15.0	8.4	21.0	14.0	20.0	16.0
RLAF 35-16		M16	17.0	8.4	26.0	16.0	21.0	16.0
RLAF 50-6	50	M6	6.4	9.5	18.0	10.0	13.0	18.0
RLAF 50-8		M8	8.4	9.5	18.0	10.0	13.0	18.0
RLAF 50-10		M10	10.5	9.5	18.0	10.0	13.0	18.0
RLAF 50-12		M12	13.0	9.5	23.0	12.0	18.0	18.0
RLAF 50-14		M14	15.0	9.5	23.0	14.0	20.0	18.0
RLAF 50-16		M16	17.0	9.5	28.0	16.0	21.0	18.0
RLAF 50-20		M20	21.0	9.5	30.0	19.0	24.0	18.0
RLAF 70-6	70	M6	6.4	11.2	21.0	10.0	13.0	20.0
RLAF 70-8		M8	8.4	11.2	21.0	10.0	13.0	20.0
RLAF 70-10		M10	10.5	11.2	21.0	10.0	17.0	20.0
RLAF 70-12		M12	13.0	11.2	21.0	12.0	17.0	20.0
RLAF 70-14		M14	15.0	11.5	23.0	14.0	20.0	20.0
RLAF 70-16		M16	17.0	11.5	28.0	16.0	21.0	20.0
RLAF 70-20		M20	21.0	11.5	30.0	19.0	24.0	20.0
RLAF 95-8	95	M8	8.4	13.5	25.0	12.0	17.0	24.0
RLAF 95-10		M10	10.5	13.5	25.0	12.0	17.0	24.0
RLAF 95-12		M12	13.0	13.5	25.0	12.0	17.0	24.0
RLAF 95-14		M14	15.0	13.5	26.0	14.0	20.0	24.0
RLAF 95-16		M16	17.0	13.5	28.0	16.0	21.0	24.0
RLAF 95-20		M20	21.0	13.5	36.0	20.0	27.0	24.0
RLAF 120-8	120	M8	8.4	15.0	28.0	14.0	19.0	25.0
RLAF 120-10		M10	10.5	15.0	28.0	14.0	19.0	25.0
RLAF 120-12		M12	13.0	15.0	28.0	14.0	19.0	25.0
RLAF 120-14		M14	15.0	15.0	28.0	16.0	21.0	25.0
RLAF 120-16		M16	17.0	15.0	28.0	16.0	21.0	25.0
RLAF 120-20		M20	21.0	15.5	36.0	20.0	27.0	25.0

Continued...

*Non-UL

Technical Data :

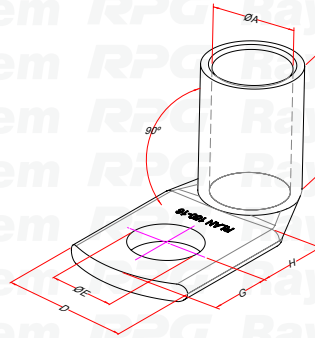
RLAF One-Hole Lugs - 45° Standard Barrel ...Continued

Catalogue Code	Nominal Cross Section Sq mm	Bolt Size	Dimensions (mm)					
			Stud Hole	Barrel ID	Palm Width	Stud Centre Distance		Barrel Length
			ØE	ØA	D	G	H	B
RLAF 150-8	150	M8	8.4	16.5	30.0	14.0	19.0	29.0
RLAF 150-10		M10	10.5	16.5	30.0	14.0	19.0	29.0
RLAF 150-12		M12	13.0	16.5	30.0	14.0	19.0	29.0
RLAF 150-14		M14	15.0	16.5	30.0	14.0	19.0	29.0
RLAF 150-16		M16	17.0	16.5	30.0	16.0	21.0	29.0
RLAF 150-20		M20	21.0	16.5	36.0	20.0	27.0	29.0
RLAF 185-10	185	M10	10.5	18.5	34.0	17.0	22.0	30.0
RLAF 185-12		M12	13.0	18.5	34.0	17.0	22.0	30.0
RLAF 185-14		M14	15.0	18.5	34.0	17.0	22.0	30.0
RLAF 185-16		M16	17.0	18.5	34.0	17.0	22.0	30.0
RLAF 185-20		M20	21.0	18.5	34.0	20.0	27.0	30.0
RLAF 240-10	240	M10	10.5	21.0	38.0	20.0	25.0	35.0
RLAF 240-12		M12	13.0	21.0	38.0	20.0	25.0	35.0
RLAF 240-14		M14	15.0	21.0	38.0	20.0	25.0	35.0
RLAF 240-16		M16	17.0	21.0	38.0	20.0	25.0	35.0
RLAF 240-20		M20	21.0	21.0	38.0	20.0	27.0	35.0
RLAF 300-12	300	M12	13.0	23.5	43.0	22.0	27.0	42.0
RLAF 300-14		M14	15.0	23.5	43.0	22.0	27.0	42.0
RLAF 300-16		M16	17.0	23.5	43.0	22.0	27.0	42.0
RLAF 300-20		M20	21.0	23.5	43.0	22.0	27.0	42.0
RLAF 400-12	400	M12	13.0	26.8	50.0	24.0	29.0	44.0
RLAF 400-14		M14	15.0	26.8	50.0	24.0	29.0	44.0
RLAF 400-16		M16	17.0	26.8	50.0	24.0	29.0	44.0
RLAF 400-20		M120	21.0	26.8	50.0	24.0	29.0	44.0
RLAF 400-BL		MBL	-	26.8	50.0	24.0	29.0	44.0

Technical Data :

One-Hole Lugs - 90° Standard Barrel

For Copper Conductor, Conductor Range 6 - 150 Sq mm



Characteristics

- Specifically developed for application on 90° Angle Connections
- Annealed material optimizes material and crimping properties
- Flat contact surface and precise stud holes as per the Metric standard

Material

- High Conductivity ETP-Copper

Finish

- Electro Tin Plated

Catalogue Code	Nominal Cross Section Sq mm	Bolt Size	Dimensions (mm)					
			Stud Hole	Barrel ID	Palm Width	Stud Centre Distance		Barrel Length
			ØE	ØA	D	G	H	B
RLAN 6- 4	6	M4	4.4	3.8	9.5	4.0	7.0	9.0
RLAN 6- 5		M5	5.4	3.8	9.5	4.0	7.0	9.0
RLAN 6- 6		M6	6.4	3.8	10.0	5.0	9.0	9.0
RLAN 6- 8		M8	8.4	3.8	12.0	7.0	11.0	9.0
RLAN 6- 10		M10	10.5	3.8	16.0	10.0	13.0	9.0
RLAN 6- 12		M12	13.0	3.8	18.0	12.0	17.0	9.0
RLAN 10- 5	10	M5	5.4	4.5	12.0	6.0	10.0	9.0
RLAN 10- 6		M6	6.4	4.5	12.0	6.0	10.0	10.0
RLAN 10- 8		M8	8.4	4.5	12.0	7.0	12.0	10.0
RLAN 10- 10		M10	10.5	4.7	16.0	10.0	13.0	10.0
RLAN 10- 12		M12	13.0	4.7	18.0	12.0	18.0	10.0
RLAN 16- 5		16	M5	5.4	5.4	12.0	7.0	10.0
RLAN 16- 6	M6		6.4	5.4	12.0	7.0	10.0	13.0
RLAN 16- 8	M8		8.4	5.4	12.0	7.0	12.0	13.0
RLAN 16- 10	M10		10.5	5.5	16.0	10.0	13.0	13.0
RLAN 16- 12	M12		13.0	5.5	18.0	12.0	18.0	13.0
RLAN 16- 14	M14		15.0	5.5	21.0	14.0	20.0	13.0
RLAN 16- 16	M16		17.0	5.5	26.0	16.0	21.0	13.0

Continued...

*Non-UL

Technical Data :

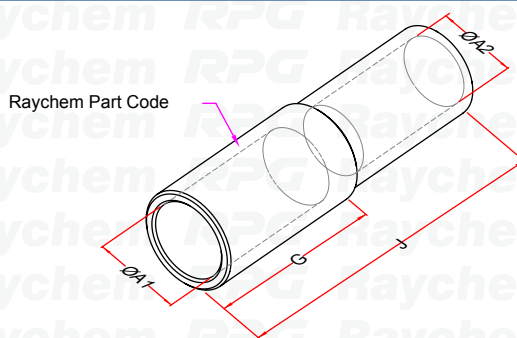
RLAN One-Hole Lugs - 90° Standard Barrel ...Continued

Catalogue Code	Nominal Cross Section Sq mm	Bolt Size	Dimensions (mm)					
			Stud Hole	Barrel ID	Palm Width	Stud Centre Distance		Barrel Length
			ØE	ØA	D	G	H	B
RLAN 25- 5	25	M5	5.4	6.8	13.0	7.0	10.0	14.0
RLAN 25- 6		M6	6.4	6.8	13.0	7.0	10.0	14.0
RLAN 25- 8		M8	8.4	6.8	13.0	7.0	12.0	14.0
RLAN 25- 10		M10	10.5	6.8	16.0	10.0	13.0	14.0
RLAN 25- 12		M12	13.0	6.8	18.0	12.0	18.0	14.0
RLAN 25- 14		M14	15.0	7.1	21.0	12.0	18.0	14.0
RLAN 25- 16		M16	17.0	7.1	26.0	16.0	21.0	14.0
RLAN 35- 6	35	M6	6.4	8.2	15.0	9.0	12.0	16.0
RLAN 35- 8		M8	8.4	8.2	15.0	9.0	12.0	16.0
RLAN 35- 10		M10	10.5	8.2	18.0	10.0	13.0	16.0
RLAN 35- 12		M12	13.0	8.2	21.0	12.0	18.0	16.0
RLAN 35- 14		M14	15.0	8.2	21.0	14.0	20.0	16.0
RLAN 35- 16		M16	17.0	8.4	26.0	16.0	21.0	16.0
RLAN 50- 6	50	M6	6.4	9.5	18.0	10.0	13.0	18.0
RLAN 50- 8		M8	8.4	9.5	18.0	10.0	13.0	18.0
RLAN 50- 10		M10	10.5	9.5	18.0	10.0	13.0	18.0
RLAN 50- 12		M12	13.0	9.5	23.0	12.0	18.0	18.0
RLAN 50- 14		M14	15.0	9.5	23.0	14.0	20.0	18.0
RLAN 50- 16		M16	17.0	9.5	28.0	16.0	21.0	18.0
RLAN 50- 20		M20	21.0	9.5	30.0	19.0	24.0	18.0
RLAN 70- 6	70	M6	6.4	11.2	21.0	10.0	13.0	20.0
RLAN 70- 8		M8	8.4	11.2	21.0	10.0	13.0	20.0
RLAN 70- 10		M10	10.5	11.2	21.0	10.0	17.0	20.0
RLAN 70- 12		M12	13.0	11.2	21.0	12.0	17.0	20.0
RLAN 70- 14		M14	15.0	11.2	23.0	14.0	20.0	20.0
RLAN 70- 16		M16	17.0	11.2	28.0	16.0	21.0	20.0
RLAN 70- 20		M20	21.0	11.2	30.0	19.0	24.0	20.0
RLAN 95- 8	95	M8	8.4	13.5	25.0	12.0	17.0	24.0
RLAN 95- 10		M10	10.5	13.5	25.0	12.0	17.0	24.0
RLAN 95- 12		M12	13.0	13.5	25.0	12.0	17.0	24.0
RLAN 95- 14		M14	15.0	13.5	26.0	14.0	20.0	24.0
RLAN 95- 16		M16	17.0	13.5	28.0	16.0	21.0	24.0
RLAN 95- 20		M20	21.0	13.5	36.0	20.0	27.0	24.0
RLAN 120- 8	120	M8	8.4	15.0	28.0	14.0	19.0	25.0
RLAN 120- 10		M10	10.5	15.0	28.0	14.0	19.0	25.0
RLAN 120- 12		M12	13.0	15.0	28.0	14.0	19.0	25.0
RLAN 120- 14		M14	15.0	15.0	28.0	16.0	21.0	25.0
RLAN 120- 16		M16	17.0	15.0	28.0	16.0	21.0	25.0
RLAN 120- 20		M20	21.0	15.5	36.0	20.0	27.0	25.0
RLAN 150- 8	150	M8	8.4	16.5	30.0	14.0	19.0	29.0
RLAN 150- 10		M10	10.5	16.5	30.0	14.0	19.0	29.0
RLAN 150- 12		M12	13.0	16.5	30.0	14.0	19.0	29.0
RLAN 150- 14		M14	15.0	16.5	30.0	14.0	19.0	29.0
RLAN 150- 16		M16	17.0	16.5	30.0	16.0	21.0	29.0
RLAN 150- 20		M20	21.0	16.5	36.0	20.0	27.0	29.0

Technical Data :

Inline Connectors - Reducing Link

For Copper Conductor, Conductor Range 6 - 150 Sq mm



Characteristics

- Manufactured by seamless high conductivity copper tubing
- Internally beveled wire entry for easy conductor insertion

Material

- High Conductivity ETP-Copper

Finish

- Electro Tin Plated

Catalogue Code	Nominal Cross Section Sq mm		Dimensions (mm)			
			Barrel ID	Barrel ID	Barrel Length	Total Length
	Barrel 'A'	Barrel 'B'	ØA ₁	ØA ₂	G	L
RCRL - 6-4	6	4	3.8	3.1	14.0	28.0
RCRL - 10-6	10	6	4.5	3.8	14.0	28.0
RCRL - 16-6	16	6	5.4	3.8	23.0	37.0
RCRL - 25-6	25	6	6.8	3.8	26.0	40.0
RCRL - 25-10	25	10	6.8	4.5	26.0	40.0
RCRL - 25-16	25	16	6.8	5.4	26.0	49.0
RCRL - 35-10	35	10	8.2	4.5	26.0	40.0
RCRL - 35-16	35	16	8.2	5.4	26.0	49.0
RCRL - 35-25	35	25	8.2	6.8	26.0	52.0
RCRL - 50-10	50	10	9.5	4.5	26.5	42.0
RCRL - 50-16	50	16	9.5	5.4	26.5	51.0
RCRL - 50-25	50	25	9.5	6.8	26.5	53.0
RCRL - 50-35	50	35	9.5	8.2	26.5	53.0
RCRL - 70-16	70	16	11.3	5.4	28.5	53.0
RCRL - 70-25	70	25	11.3	6.8	29.0	55.0
RCRL - 70-35	70	35	11.3	8.2	29.0	55.0
RCRL - 70-50	70	50	11.3	9.5	29.0	55.0
RCRL - 95-25	95	25	13.5	6.8	33.0	59.0
RCRL - 95-35	95	35	13.5	8.2	33.0	59.0
RCRL - 95-50	95	50	13.5	9.5	33.0	59.0

Continued...

*Non-UL

Technical Data :

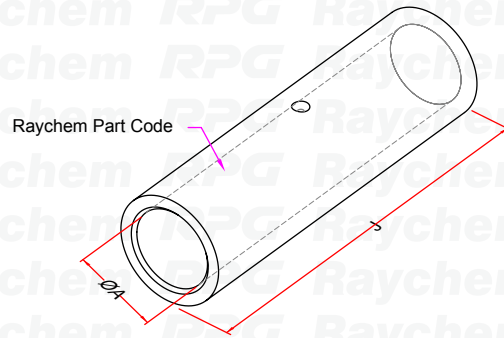
RCRL Inline Connectors - Reducing Link ...Continued

Catalogue Code	Nominal Cross Section Sq mm		Dimensions (mm)			
			Barrel ID	Barrel ID	Barrel Length	Total Length
	Barrel 'A'	Barrel 'B'	ØA ₁	ØA ₂	G	L
RCRL - 95-70	95	70	13.5	11.3	33.0	61.0
RCRL - 120-35	120	35	15.0	8.2	35.0	62.0
RCRL - 120-50	120	50	15.0	9.5	35.0	64.0
RCRL - 120-70	120	70	15.0	11.3	35.0	64.0
RCRL - 120-95	120	95	15.0	13.5	35.0	67.0
RCRL - 150-50	150	50	16.5	9.5	38.0	65.0
RCRL - 150-70	150	70	16.5	11.3	38.0	67.0
RCRL - 150-95	150	95	16.5	13.5	38.0	70.0
RCRL - 150-120	150	120	16.5	15.0	38.0	73.0
RCRL - 185-70	185	70	18.5	11.3	38.0	67.0
RCRL - 185-95	185	95	18.5	13.5	38.0	70.0
RCRL - 185-120	185	120	18.5	15.0	38.0	73.0
RCRL - 185-185	185	185	18.5	18.5	-	75.0
RCRL - 240-95	240	95	21.0	13.5	47.0	81.0
RCRL - 240-120	240	120	21.0	15.0	47.0	81.0
RCRL - 240-150	240	150	21.0	16.5	47.0	83.0
RCRL - 240-185	240	185	21.0	18.5	47.0	85.0
RCRL - 240-240	240	240	21.0	21.0	-	90.0
RCRL - 300-120	300	120	23.5	15.0	50.0	87.0
RCRL - 300-150	300	150	23.5	16.5	50.0	89.0
RCRL - 300-185	300	185	23.5	18.5	50.0	89.0
RCRL - 300-240	300	240	23.5	21.0	50.0	97.0
RCRL - 300-300	300	300	23.5	23.5	-	99.0

Technical Data :

Two-Way Splice Connectors - Long Barrel

For Copper Conductor, Conductor Range 1.5 - 500 Sq mm



Characteristics

- Connector Short Barrel for limited space application
- Internal wire stop to prevent over Insertion of cable

Material

- High Conductivity ETP-Copper

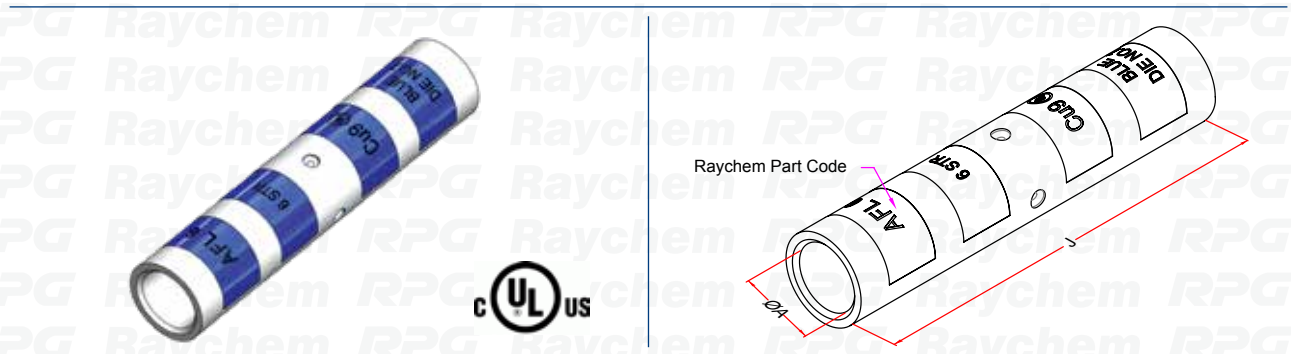
Finish

- Electro Tin Plated

Catalogue Code	Nominal Cross Section Sq mm	Dimensions (mm)	
		ØA	J
RCL 1.5	1.5	1.8	22.0
RCL 2.5	2.5	2.4	22.0
RCL 4	4	3.1	22.0
RCL 6	6	3.8	22.0
RCL 10	10	4.5	22.0
RCL 16	16	5.4	44.0
RCL 25	25	6.8	47.0
RCL 35	35	8.2	47.0
RCL 42*	42	9.5	47.0
RCL 50	50	9.5	47.0
RCL 70	70	11.3	50.0
RCL 95	95	13.5	54.0
RCL 120	120	15.0	65.0
RCL 130*	130	16.0	65.0
RCL 150	150	16.5	65.0
RCL 185	185	18.5	65.0
RCL 200*	200	19.6	70.0
RCL 240	240	21.0	89.0
RCL 300	300	23.5	89.0
RCL 400	400	28.5	90.0
RCL 500*	500	30.0	115.0
RCL 630	630	35.0	115.0
RCL 800	800	39.0	230.0
RCL 1000	1000	43.0	230.0

*Non-UL

Technical Data :
Two-Way Splice Connectors - Long Barrel
 For Copper Conductor, Conductor Range 8 - 1000 AWG



Characteristics

- Long barrel permits multiple crimps for secured connection
- Connector Short Barrel for limited space application
- Internal wire stop to prevent over Insertion of cable

Material

- High Conductivity ETP-Copper

Finish

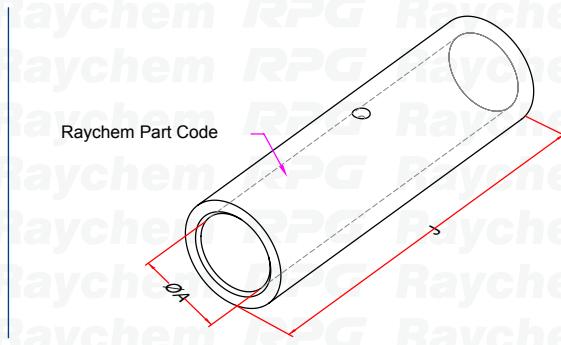
- Electro Tin Plated

Catalogue Code	Nominal Cross Section (AWG / Sq mm)		Dimensions (mm)	
	AWG	Sq mm	ØA	J
AFL 8	8	10	4.4	44.5
AFL 6	6	16	5.0	60.5
AFL 4	4	25	6.3	64.8
AFL 2	2	35	7.8	71.6
AFL 1	1	42	9.0	78.0
AFL 1/0	1/0	50	9.9	77.7
AFL 2/0	2/0	70	11.3	83.8
AFL 3/0	3/0	95	12.4	83.8
AFL 4/0	4/0	120	14.2	90.7
AFL 250	250	130	15.1	90.9
AFL 300	300	150	16.5	110.2
AFL 350	350	185	17.8	110.5
AFL 400	400	200	19.3	117.3
AFL 500	500	240	21.1	124.7
AFL 600	600	300	23.4	148.6
AFL 650	650	350	24.3	156.2
AFL 750*	750	400	26.2	162.1
AFL 1000	1000	500	29.7	176.5

Technical Data :

Two-Way Splice Connectors - Short Barrel

For Copper Conductor, Conductor Range 2.5 - 1000 Sq mm



Characteristics

- Connector Short Barrel for limited space application
- Internal wire stop to prevent over Insertion of cable

Material

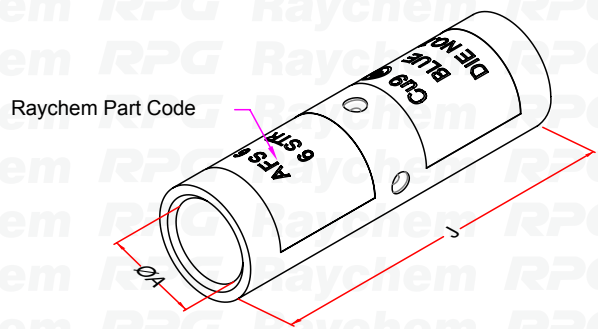
- High Conductivity ETP-Copper

Finish

- Electro Tin Plated

Catalogue Code	Nominal Cross Section Sq mm	Dimensions (mm)	
		ØA	J
RCS 1.5	1.5	1.8	12.0
RCS 2.5	2.5	2.4	15.0
RCS 4	4	3.1	15.0
RCS 6	6	3.8	15.0
RCS 10	10	4.5	20.0
RCS 16	16	5.4	20.0
RCS 25	25	6.8	32.0
RCS 35	35	8.2	36.0
RCS 50	50	9.5	40.0
RCS 70	70	11.3	45.0
RCS 95	95	13.5	45.0
RCS 120	120	15.0	45.0
RCS 150	150	16.5	55.0
RCS 185	185	18.5	60.0
RCS 240	240	21.0	80.0
RCS 300	300	23.5	85.0
RCS 400	400	28.5	85.0
RCS 500	500	30.0	100.0
RCS 630	630	35.0	110.0
RCS 800	800	39.0	150.0
RCS 1000	1000	43.0	170.0

Technical Data :
Two-Way Splice Connectors -Standard Barrel
 For Copper Conductor, Conductor Range 8 - 1000 AWG



Characteristics

- Standard barrel permits secure crimps for reliable connection
- Connector Short Barrel for limited space application
- Internal wire stop to prevent over Insertion of cable

Material

- High Conductivity ETP-Copper

Finish

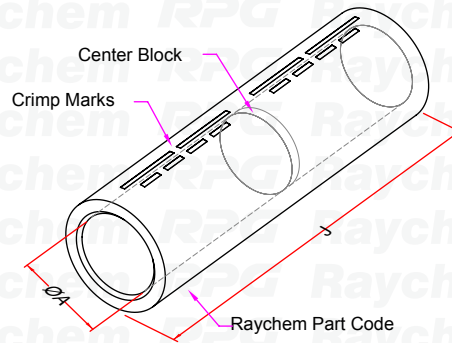
- Electro Tin Plated

Catalogue Code	Nominal Cross Section (AWG / Sq mm)		Dimensions (mm)	
	AWG	Sq mm	ØA	J
AFS 8	8	10	4.4	25.4
AFS 6	6	16	5.0	44.5
AFS 4	4	25	6.3	44.5
AFS 2	2	35	7.8	50.8
AFS 1	1	42	9.0	52.3
AFS 1/0	1/0	50	9.9	52.8
AFS 2/0	2/0	70	11.3	55.1
AFS 3/0	3/0	95	12.4	58.4
AFS 4/0	4/0	120	14.2	58.9
AFS 250	250	130	15.1	62.5
AFS 300	300	150	16.5	62.7
AFS 350	350	185	17.8	66.0
AFS 400	400	200	19.3	69.6
AFS 500	500	240	21.1	80.0
AFS 600	600	300	23.4	81.8
AFS 650*	650	350	24.3	86.0
AFS 750	750	400	26.2	94.5
AFS 1000	1000	500	29.7	108.7

Technical Data :

Two-Way Splice Connectors - Din 46267 Part-1

For Copper Conductor, Conductor Range 6 - 1000 Sq mm



Characteristics

- Splices are designed as per DIN standard 46267 part-1
- Internal wire stop to prevent over Insertion of cable

Material

- High Conductivity ETP-Copper

Finish

- Electro Tin Plated

Catalogue Code	Nominal Cross Section Sq mm	Dimensions (mm)		
		ØA	ØC	J
RCD - 6	6	3.8	5.5	30.0
RCD - 10	10	4.5	6.0	30.0
RCD - 16	16	5.5	8.5	50.0
RCD - 25	25	7.0	10.0	50.0
RCD - 35	35	8.2	12.5	50.0
RCD - 50	50	10.0	14.5	56.0
RCD - 70	70	11.5	16.5	56.0
RCD - 95	95	13.5	19.0	70.0
RCD - 120	120	15.5	21.0	70.0
RCD - 150	150	17.0	23.5	80.0
RCD - 185	185	19.0	25.5	85.0
RCD - 240	240	21.5	29.0	90.0
RCD - 300	300	24.5	32.0	100.0
RCD - 400	400	27.5	38.5	150.0
RCD - 500	500	31.0	42.0	160.0
RCD - 630	630	34.5	44.0	160.0
RCD - 600	800	40.0	52.0	200.0
RCD - 1000	1000	44.0	58.0	200.0

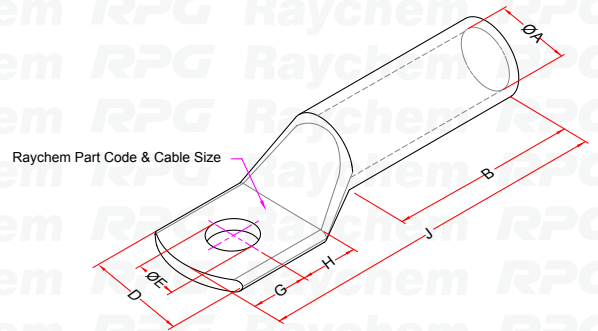
STAINLESS STEEL LUGS

RSS

Technical Data :

One-Hole Lugs - Stainless Steel Standard Barrel

For Stainless Steel Conductors, Conductor Range 0.5-95 Sq mm



Characteristics

- For pre-rounded multi-stranded sector shaped conductors
- Flat contact surface and precise stud holes as per the Metric standard
- Ideal for aggressive environmental conditions, acid and rust-resistant
- Heat resistant up to 400°C

Material

- Stainless Steel

Finish

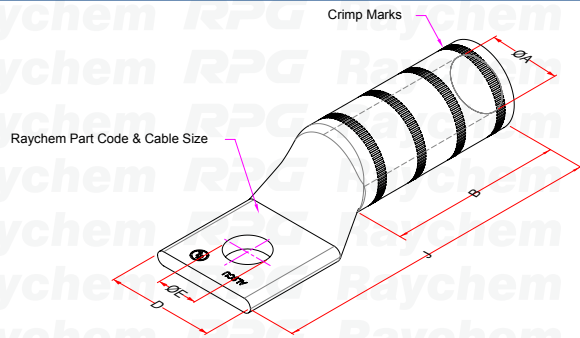
- Natural

Catalogue Code	Nominal Cross Section Sq mm	Bolt Size	Dimensions (mm)						
			Stud Hole	Barrel ID	Palm Width	Stud Centre Distance		Barrel Length	Total Length
			ØE	ØA	D	G	H	B	J
RSS 0.5-1.0-4	0.5-1.0	M4	4.3	1.6	6.5	4.5	4.5	6.0	17.5
RSS 0.5-1.0-5	0.5-1.0	M5	5.3	1.6	7.5	5.0	5.5	6.0	19.0
RSS 1.5-2.5-4	1.5-2.5	M4	4.3	3.0	9.0	5.0	5.5	8.0	22.0
RSS 1.5-2.5-5	1.5-2.5	M5	5.5	3.0	9.0	5.0	6.0	8.0	22.0
RSS 1.5-2.5-6	1.5-2.5	M6	6.5	3.0	9.5	6.5	6.5	8.0	25.5
RSS 4-6-4	4-6	M4	4.3	4.0	9.0	5.0	5.5	9.0	23.0
RSS 4-6-5	4-6	M5	5.5	4.0	9.5	6.0	6.0	9.0	25.0
RSS 4-6-6	4-6	M6	6.5	4.0	10.0	7.0	6.5	9.0	26.0
RSS 10-5	10	M5	5.5	5.0	12.5	6.5	7.5	10.0	28.5
RSS 10-6	10	M6	6.5	5.0	12.5	6.5	7.5	10.0	28.5
RSS 10-8	10	M8	8.5	5.0	15.0	9.0	10.0	10.0	34.0
RSS 16-5	16	M5	5.5	6.0	12.0	5.5	6.5	13.0	33.5
RSS 16-6	16	M6	6.5	6.0	12.0	6.0	7.5	13.0	34.0
RSS 16-8	16	M8	8.5	6.0	15.0	8.5	9.5	13.0	37.5
RSS 25-6	25	M6	6.5	7.0	14.0	7.5	7.5	15.0	37.5
RSS 25-8	25	M8	8.5	7.0	16.0	9.0	10.0	15.0	41.0
RSS 35-6	35	M6	6.5	9.0	17.0	7.5	7.5	17.0	39.5
RSS 35-8	35	M8	8.5	9.0	17.0	10.0	10.0	17.0	45.0
RSS 50-6	50	M6	6.5	10.0	20.0	10.0	10.0	19.0	47.0
RSS 50-8	50	M8	8.5	10.0	20.0	10.0	10.0	19.0	47.0
RSS 50-10	50	M10	10.5	10.0	20.0	12.0	12.0	19.0	51.0
RSS 50-12	50	M12	13	10.0	20.0	13.0	13.0	19.0	56.0
RSS 70-8	70	M8	8.5	12.0	23.0	10.0	10.0	21.0	53.0
RSS 70-10	70	M10	10.5	12.0	23.0	12.0	12.0	21.0	56.0
RSS 70-12	70	M12	13	12.0	23.0	13.0	13.0	21.0	59.0
RSS 70-16	70	M16	17	12.0	26.0	16.0	16.0	21.0	62.0
RSS 95-8	95	M8	8.5	14.0	26.0	12.0	12.0	25.0	60.0
RSS 95-10	95	M10	10.5	14.0	26.0	12.0	12.0	25.0	60.0
RSS 95-12	95	M12	13	14.0	26.0	13.0	13.0	25.0	62.0

Technical Data :

One-Hole Lugs - Aluminium Dual Rated

For Aluminum & Copper Conductor, Conductor Range 6 AWG - 750 MCM



Characteristics

- Specially designed and tested for Aluminium and Copper Conductors
- Provides maximum conductivity, low resistance and ductility for an excellent combination of electrical and crimp forming properties
- Seamless, one piece aluminum construction with tin plating assures maximum conductivity and avoids oxidation on the surface
- Designed for heavy duty applications upto 35KV applications

Material

- High Conductivity Electrolytic Aluminium

Finish

- Electro Tinned Plated

Catalogue Code	Nominal Cross Section (AWG / Sq mm)		Dimensions (mm)				
	AWG	Sq mm	Stud Hole	Barrel ID	Palm Width	Barrel Length	Total Length
			ØE	ØA	D	B	J
ALDS 6 -1/4	6	16	6.8	5.1	14.2	19.1	57.9
ALDS 6 -5/16			8.4	5.1	14.2	19.1	57.9
ALDS 6 -3/8			10.2	5.1	14.2	19.1	57.9
ALDS 4 -1/4	4	25	6.8	6.7	15.7	23.8	58.4
ALDS 4 -5/16			8.4	6.7	15.7	23.8	58.4
ALDS 2 -1/4*	2	35	6.8	7.8	19.1	23.4	66.5
ALDS 2 -5/16			8.4	7.8	19.1	23.4	66.5
ALDS 2 -3/8			10.2	7.8	19.1	23.4	66.5
ALDS 2 -1/2			13.2	7.8	19.1	23.4	66.5
ALDS 1 -3/8	1	42	10.2	8.9	19.1	23.4	66.5
ALDS 1 -1/2			13.2	8.9	19.1	23.4	66.5
ALDS 1/0 -3/8	1/0	50	10.2	10.5	22.4	30.0	79.2
ALDS 1/0 -1/2			13.2	10.5	22.4	30.0	79.2
ALDS 2/0 -3/8	2/0	70	10.2	11.2	24.2	33.0	81.0
ALDS 2/0 -1/2			13.2	11.2	24.2	33.0	81.0

Continued...

*Non-UL

Technical Data :

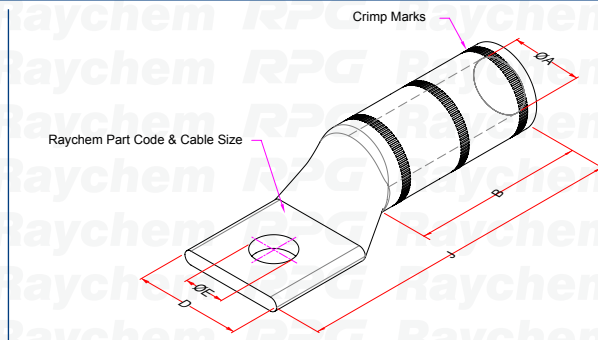
ALDS One-Hole Lugs - Aluminium Dual Rated ...Continued

Catalogue Code	Nominal Cross Section (AWG / Sq mm)		Dimensions (mm)				
	AWG	Sq mm	Stud Hole	Barrel ID	Palm Width	Barrel Length	Total Length
			ØE	ØA	D	B	J
ALDS 3/0 -3/8	3/0	95	10.2	12.3	26.9	38.1	87.4
ALDS 3/0 -1/2			13.2	12.3	26.9	38.1	87.4
ALDS 4/0 -1/2	4/0	120	13.2	13.7	30.2	36.6	90.4
ALDS 4/0 -5/8			16.8	13.7	30.2	36.6	90.4
ALDS 250 -1/2	250	130	13.2	15.1	31.4	39.6	91.9
ALDS 250 -5/8			16.8	15.1	31.4	39.6	91.9
ALDS 300 -1/2	300	150	13.2	16.5	34.5	55.6	101.6
ALDS 300 -5/8*			16.8	16.5	34.5	55.6	101.6
ALDS 350 -1/2	350	185	13.2	18.3	37.8	55.6	108.0
ALDS 350 -5/8			16.8	18.3	37.8	55.6	109.7
ALDS 400 -5/8*	400	200	16.8	19.4	41.2	63.5	127.1
ALDS 500 -1/2	500	240	13.2	21.4	43.9	74.6	138.2
ALDS 500 -5/8			16.8	21.4	43.9	74.6	138.2
ALDS 600 -1/2	600	300	13.2	23.4	44.5	76.2	141.0
ALDS 600 -5/8*			16.8	23.4	44.5	76.2	141.0
ALDS 750 -1/2	750	400	13.2	26.2	50.8	84.3	162.1
ALDS 750 -5/8*			16.8	26.2	50.8	84.3	162.1
ALDS 1000-5/8*	1000	500	16.8	30.3	63.5	117.3	201.6

Technical Data :

One-Hole Lugs - Aluminium Dual Rated Heavy Duty

For Aluminum & Copper Conductor, Conductor Range 12 - 750 AWG



Characteristics

- Made of high conductivity aluminium with heavy duty wall thickness
- Provides maximum conductivity, low resistance and ductility for an excellent combination of electrical and crimp forming properties
- Designed for heavy duty applications upto 35kV applications (AL9CU) 90°C

Material

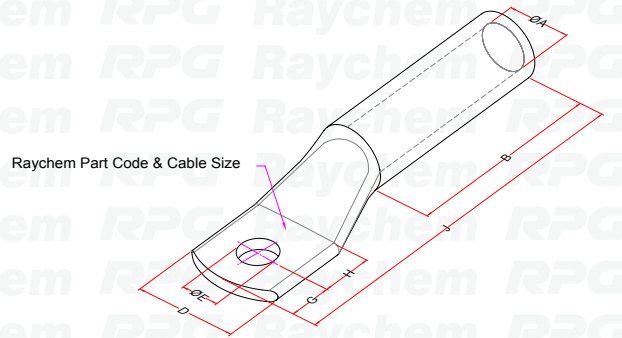
- High Conductivity Electrolytic Aluminium

Finish

- Electro Tinned Plated

Catalogue Code	Nominal Cross Section (AWG / Sq mm)		Dimensions (mm)				
	AWG	Sq mm	Stud Hole	Barrel ID	Palm Width	Barrel Length	Total Length
			ØE	ØA	D	B	J
ALDH 12-1/2	12	4	13.2	2.80	22.3	25.4	65.1
ALDH 10-1/2	10	6	13.2	3.70	22.3	25.4	65.1
ALDH 8-1/2	8	10	13.2	4.20	22.3	33.3	79.4
ALDH 6-1/2	6	16	13.2	5.60	22.3	33.3	79.4
ALDH 4-1/2	4	25	13.2	6.90	22.3	33.3	79.4
ALDH 3-1/2	3	30	13.2	7.70	22.3	33.3	79.4
ALDH 2-1/2	2	35	13.2	8.60	22.3	33.3	79.4
ALDH 1-1/2	1	42	13.2	9.80	22.3	33.3	79.4
ALDH 1/0-1/2	1/0	50	13.2	10.60	22.3	33.3	79.4
ALDH 2/0-1/2	2/0	70	13.2	12.20	30.0	35.3	84.5
ALDH 3/0-1/2	3/0	95	13.2	13.60	29.4	35.3	84.5
ALDH 4/0-1/2	4/0	120	13.2	15.10	31.8	35.3	84.5
ALDH 300-1/2	300	150	13.2	16.63	31.8	40.5	92.1
ALDH 350-1/2	350	185	13.2	18.30	31.8	40.5	92.1
ALDH 400-1/2	400	200	13.2	19.40	31.8	40.5	92.1
ALDH 500-1/2	500	240	13.2	23.50	45.0	50.90	108.0
ALDH 750-1/2	750	400	13.2	26.25	44.45	50.90	102.48

Technical Data : One-Hole Lugs - Aluminium Lugs for XLPE Cables For Aluminium Conductor, Conductor Range 6 - 1000 Sq mm



Characteristics

- With Significant lower dead weight Aluminium conductors popular choice in power distribution applications
- Aluminium lugs are made up of 99.5 % pure aluminium
- They are designed to accept a variety of conductor forms especially low stranded compact conductors

Material

- High Conductivity Electrolytic Aluminium

Finish

- Electro Tin Plated

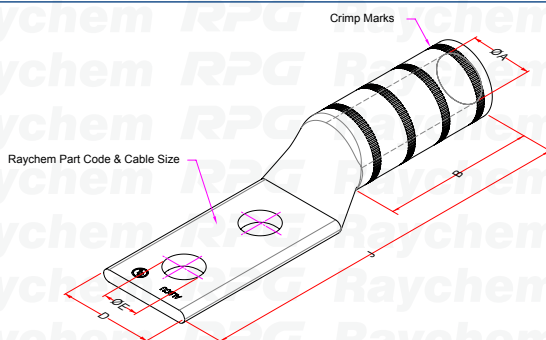
Catalogue Code	Nominal Cross Section Sq mm	Bolt Size	Dimensions (mm)						
			Stud Hole	Barrel ID	Palm Width	Stud Centre Distance		Barrel Length	Total Length
			ØE	ØA	D	G	H	B	J
RLAX 6-6	6	M6	6.5	3.5	12.0	6.0	7.0	7.0	24.0
RLAX 10-6	10	M6	8.5	4.7	13.5	8.0	8.0	9.0	31.0
RLAX 10-8	10	M8	8.5	4.7	13.5	8.0	8.0	9.0	31.0
RLAX 16-6	16	M6	8.5	5.5	12.0	9.0	9.5	14.5	38.0
RLAX 16-8	16	M8	8.5	5.5	12.0	9.0	9.5	14.5	38.0
RLAX 25-8	25	M8	8.5	7.2	14.0	9.0	12.0	41.0	69.0
RLAX 35-8	35	M8	8.5	8.5	16.0	11.0	11.0	50.0	79.0
RLAX 50-8	50	M8	8.5	10.3	19.5	11.0	13.0	49.0	81.0
RLAX 50-10	50	M10	10.5	10.3	19.5	11.0	13.0	49.0	81.0
RLAX 70-10	70	M10	10.5	10.2	20.5	13.0	13.0	62.0	98.0
RLAX 95-12	95	M12	13.0	12.0	23.5	14.0	14.0	73.0	109.0
RLAX 120-12	120	M12	13.0	14.0	26.5	15.0	15.0	73.0	114.0
RLAX 150-12	150	M12	13.0	15.1	29.5	17.0	17.0	83.0	128.0
RLAX 185-12	185	M12	13.0	16.6	33.0	18.0	18.0	83.0	131.0
RLAX 225-12	225	M12	13.0	18.6	36.0	20.0	20.0	86.0	140.0
RLAX 240-12	240	M12	13.0	19.3	37.5	22.0	22.0	86.0	144.0
RLAX 300-20	300	M20	20.3	22.0	42.0	27.0	27.0	89.0	157.0
RLAX 400-20	400	M20	20.3	25.0	48.0	30.0	30.0	113.0	186.0
RLAX 500-20	500	M20	20.3	28.2	54.0	32.0	32.0	124.0	204.0
RLAX 630-20	630	M20	20.3	31.7	61.0	34.0	34.0	140.0	224.0
RLAX 800-20	800	M20	20.3	35.7	68.0	39.0	39.0	147.0	250.0
RLAX 1000-20	1000	M20	20.3	41.0	77.5	45.0	45.0	160.0	280.0

A2LDS

Technical Data :

Two-Hole Lugs - Aluminium Dual Rated

For Aluminum & Copper Conductor, Conductor Range 1/0 AWG - 1000 MCM



Characteristics

- Specially designed and tested for Aluminium and Copper Conductors
- Best suited in application where two bolts are needed to avoid rotation or movement of the lugs
- Stud hole spacing of A2LDS Lugs are as per NEMA standards
- Provides maximum conductivity, low resistance and ductility for an excellent combination of electrical and crimp forming properties
- Seamless, one piece aluminum construction with tin plating assures maximum conductivity and avoids oxidation on the surface
- Designated as AL9CU
- Designed for heavy duty applications upto 35kV applications

Material

- High Conductivity Electrolytic Aluminium

Finish

- Electro Tin Plated

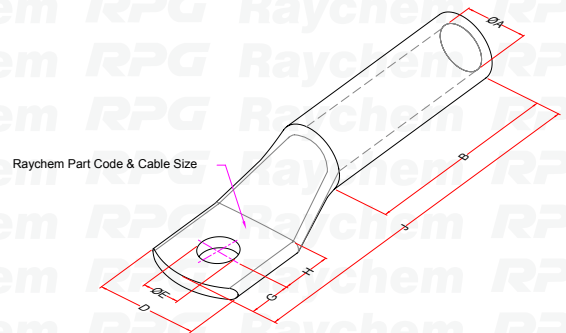
Catalogue Code	Nominal Cross Section (AWG / Sq mm)		Dimensions (mm)					
			Stud Hole	Hole Spacing	Barrel ID	Barrel Length	Palm Width	Total Length
	AWG	Sq mm	ØE		ØA	B	D	J
A2LDS 1/0 -3/8	1/0	50	10.2	44.5	10.5	38.1	22.4	134.1
A2LDS 1/0 -1/2			13.2					
A2LDS 2/0 -3/8	2/0	70	10.2	44.5	11.2	38.1	24.2	139.7
A2LDS 2/0 -1/2			13.2					
A2LDS 3/0 -3/8	3/0	95	10.2	44.5	12.3	38.1	26.9	139.7
A2LDS 3/0 -1/2			13.2					
A2LDS 4/0 -1/2	4/0	120	13.2	44.5	13.7	49.2	30.2	152.4
A2LDS 4/0 -5/8			16.8					
A2LDS 250 -1/2	250	130	13.2	44.5	15.1	49.2	31.4	152.4
A2LDS 250 -5/8			16.8					
A2LDS 300 -1/2	300	150	13.2	44.5	16.5	57.2	34.5	166.6
A2LDS 350 -1/2	350	185	13.2	44.5	18.3	57.2	38.1	166.6
A2LDS 350 -5/8			16.8					
A2LDS 400 -1/2*	400	200	13.2	44.5	19.4	63.5	41.2	174.8
A2LDS 500 -1/2	500	240	13.2	44.5	21.4	76.2	43.9	185.7
A2LDS 500 -5/8			16.8					
A2LDS 500 -3/4*			20.0					
A2LDS 600 -1/2	600	300	13.2	44.5	23.4	76.2	44.5	196.9
A2LDS 600 -5/8*			16.8					
A2LDS 750 -1/2	750	400	13.2	44.5	26.2	85.9	50.8	209.6
A2LDS 750 -5/8*			16.8					
A2LDS 750 -3/4*			20.0					
A2LDS 1000 -1/2*	1000	500	13.2	44.5	30.3	117.4	62.0	245.8

*Non-UL

Technical Data :

One-Hole Lugs - Aluminium Lugs as per DIN 46329

For Aluminium Conductor, Conductor Range 10 - 400 Sq mm



Characteristics

- Lugs are designed as per DIN 46329 standards
- Provides maximum conductivity, low resistance and ductility for an excellent combination of electrical and crimp forming properties
- Seamless, one piece aluminum construction with tin plating assures maximum conductivity and avoids oxidation on the surface

Material

- High Conductivity Electrolytic Aluminium

Finish

- Electro Tin Plated

Catalogue Code	Nominal Cross Section Sq mm	Bolt Size	Dimensions (mm)							
			Stud Hole	Barrel ID	Barrel OD	Palm Width	Stud Centre Distance		Barrel Length	Total Length
			ØE	ØA	ØC	D	G	H	B	J
RADE-10-6	10	M6	6.5	5.0	10.0	16.0	14.0	16.0	25.0	66.0
RADE-10-8	10	M8	8.5	5.0	10.0	18.0	14.0	16.0	25.0	66.0
RADE-16-8	16	M8	8.5	5.8	12.0	18.0	14.0	16.0	25.0	66.0
RADE-16-10	16	M10	10.5	5.8	12.0	18.0	14.0	16.0	25.0	66.0
RADE-25-8	25	M8	8.5	6.8	12.0	18.0	14.0	16.0	30.0	74.0
RADE-25-10	25	M10	10.5	6.8	12.0	18.0	14.0	16.0	30.0	74.0
RADE-25-12	25	M12	13.0	6.8	12.0	18.0	14.0	16.0	30.0	74.0
RADE-35-8	35	M8	8.5	8.0	14.0	21.0	14.0	16.0	37.0	81.0
RADE-35-10	35	M10	10.5	8.0	14.0	21.0	14.0	16.0	37.0	81.0
RADE-35-12	35	M12	13.0	8.0	14.0	21.0	14.0	16.0	37.0	81.0
RADE-50-8	50	M8	8.5	9.8	16.0	25.0	14.0	16.0	42.0	86.0
RADE-50-10	50	M10	10.5	9.8	16.0	25.0	14.0	16.0	42.0	86.0
RADE-50-12	50	M12	13.0	9.8	16.0	25.0	14.0	16.0	42.0	86.0
RADE-70-8	70	M8	8.5	11.2	18.5	28.0	14.0	16.0	52.0	86.0
RADE-70-10	70	M10	10.5	11.2	18.5	28.0	16.0	18.0	52.0	102.0
RADE-70-12	70	M12	13.0	11.2	18.5	28.0	16.0	18.0	52.0	102.0
RADE-95-10	95	M10	10.5	13.2	22.0	32.0	16.0	18.0	56.0	106.0
RADE-95-12	95	M12	13.0	13.2	22.0	32.0	16.0	18.0	56.0	106.0
RADE-95-16	95	M16	17.0	13.2	22.0	32.0	16.0	18.0	56.0	106.0

Continued...

Technical Data :

RADE One-Hole Lugs -Aluminium Lugs as per DIN 46329 ...Continued

Catalogue Code	Nominal Cross Section Sq mm	Bolt Size	Dimensions (mm)							
			Stud Hole	Barrel ID	Barrel OD	Palm Width	Stud Centre Distance		Barrel Length	Total Length
			ØE	ØA	ØC	D	G	H	B	J
RADE-120-10	120	M10	10.5	14.7	23.0	32.0	16.0	18.0	56.0	107.0
RADE-120-12	120	M12	13.0	14.7	23.0	32.0	16.0	18.0	56.0	107.0
RADE-120-16	120	M16	17.0	14.7	23.0	32.0	16.0	18.0	56.0	107.0
RADE-150-10	150	M10	10.5	16.3	25.0	35.0	17.0	20.0	60.0	120.0
RADE-150-12	150	M12	13.0	16.3	25.0	35.0	17.0	20.0	60.0	120.0
RADE-150-16	150	M16	17.0	16.3	25.0	35.0	17.0	20.0	60.0	120.0
RADE-150-20	150	M20	21.0	16.3	25.0	35.0	17.0	20.0	60.0	120.0
RADE-185-10	185	M10	10.5	18.3	26.5	40.0	17.0	20.0	60.0	123.0
RADE-185-12	185	M12	13.0	18.3	26.5	40.0	17.0	20.0	60.0	123.0
RADE-185-16	185	M16	17.0	18.3	26.5	40.0	17.0	20.0	60.0	123.0
RADE-185-20	185	M20	21.0	18.3	26.5	40.0	17.0	20.0	60.0	123.0
RADE-240-10	240	M10	10.5	21.0	32.0	45.0	19.0	25.0	70.0	135.0
RADE-240-12	240	M12	13.0	21.0	32.0	45.0	19.0	25.0	70.0	135.0
RADE-240-16	240	M16	17.0	21.0	32.0	45.0	19.0	25.0	70.0	135.0
RADE-240-20	240	M20	21.0	21.0	32.0	45.0	19.0	25.0	70.0	135.0
RADE-300-12	300	M12	13.0	23.3	34.0	49.0	19.0	25.0	70.0	143.0
RADE-300-16	300	M16	17.0	23.3	34.0	49.0	19.0	25.0	70.0	143.0
RADE-300-20	300	M20	21.0	23.3	34.0	49.0	19.0	25.0	70.0	143.0
RADE-400-12	400	M12	13.0	26.0	38.5	58.0	20.0	30.0	70.0	185.0
RADE-400-16	400	M16	17.0	26.0	38.5	58.0	20.0	30.0	70.0	185.0
RADE-400-20	400	M20	21.0	26.0	38.5	58.0	20.0	30.0	70.0	185.0
RADE-500-16	500	M16	17.0	29.0	44.0	63.0	20.0	30.0	70.0	185.0
RADE-500-20	500	M20	21.0	29.0	44.0	63.0	20.0	30.0	70.0	185.0

ALUMINUM SPLICES

AFDS

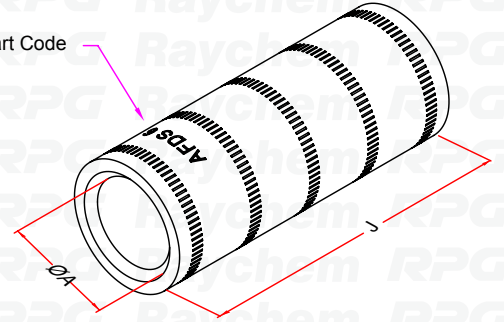
Technical Data :

Two-Way Splice Connectors - Aluminium Dual Rated

For Aluminium & Copper Conductor, Conductor Range 6 AWG - 1000 MCM



Raychem Part Code



Characteristics

- Provides maximum conductivity, low resistance and ductility for an excellent combination of electrical and crimp forming properties
- Connector Short Barrel for limited space application
- Internal wire stop to prevent over Insertion of cable
- Designated as AL9CU

Material

- High Conductivity Electrolytic Aluminium

Finish

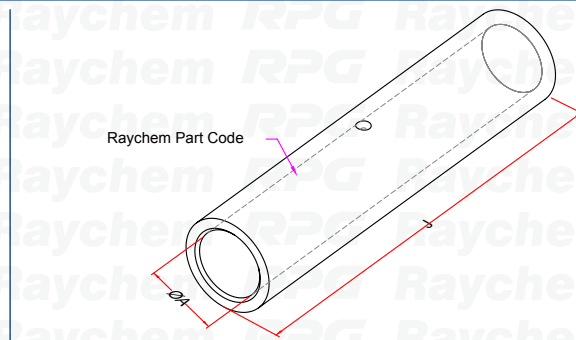
- Electro Tin Plated

Catalogue Code	Nominal Cross Section (AWG / Sq mm)		Dimensions (mm)	
	AWG	Sq mm	ØA	J
AFDS 6	6	16	5.10	41.10
AFDS 4	4	25	6.70	53.80
AFDS 2	2	35	7.80	50.80
AFDS 1	1	42	8.90	50.80
AFDS 1/0	1/0	50	10.50	53.80
AFDS 2/0	2/0	70	11.20	58.70
AFDS 3/0	3/0	95	12.30	66.50
AFDS 4/0	4/0	120	13.70	69.90
AFDS 250	250	130	15.10	74.70
AFDS 300	300	150	16.50	79.20
AFDS 350	350	185	18.30	85.80
AFDS 500	500	240	21.40	98.60
AFDS 600	600	300	23.40	104.60
AFDS 750	750	400	26.20	118.80

Technical Data :

Two-Way Splice Connectors - Standard Aluminium Splices

For Aluminium Conductor, Conductor Range 10 - 500 Sq mm



Characteristics

- Provides maximum conductivity, low resistance and ductility for an excellent combination of electrical and crimp forming properties
- Connector Standard Barrel for limited space application
- Internal wire stop to prevent over Insertion of cable

Material

- High Conductivity Electrolytic Aluminium

Finish

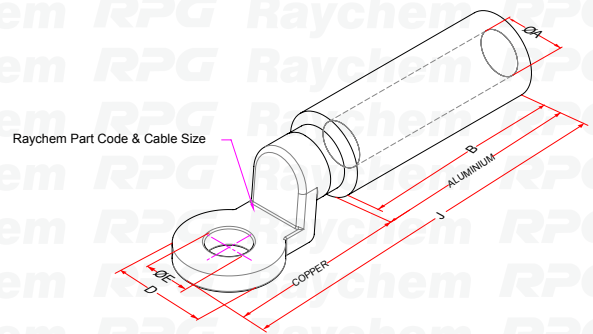
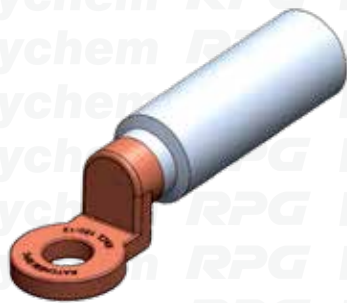
- Electro Tin Plated

Catalogue Code	Nominal Cross Section Sq mm	Dimensions (mm)	
		ØA	J
RCA - 10	10	4.5	80.0
RCA - 16	16	5.5	90.5
RCA - 25	25	6.5	90.5
RCA - 35	35	8.0	90.5
RCA - 50	50	9.0	106.5
RCA - 70	70	11.0	106.5
RCA - 95	95	12.5	106.5
RCA - 120	120	13.7	133.0
RCA - 150	150	15.5	135.0
RCA - 185	185	17.0	143.5
RCA - 240	240	19.5	146.0
RCA - 300	300	22.5	144.5
RCA - 400	400	27.5	150.0
RCA - 500	500	31.0	160.0

Technical Data :

One-Hole Lugs - Bi-Metallic

For Aluminium Conductor, Conductor Range 10 - 1000 Sq mm



Characteristics

- For tapping into unbroken continuous main, as a wire joint or two-way splice
- Wide wire range-taking capability minimizes inventory requirements
- Made from heavy wall, extruded, high conductivity copper; provides high strength and premium electrical properties
- High conductivity electrolytic copper conforming to IS 1997 & aluminum of grade IE of IS 5082

Material

- High Conductivity ETP-Copper
- High Conductivity Electrolytic Aluminium

Product Info

- Round copper plam for size 10-400 sq mm
- Square copper plam for size 500-1000 sq mm

Catalogue Code	Nominal Cross Section Sq mm	Bolt Size	Dimensions (mm)				
			Stud Hole	Barrel ID	Palm Width	Drill Length	Total Length
			E	A	D	B	J
RACL 10-8	10	M8	8.5	5.2	21.0	40.0	81.0
RACL 16-8	16	M8	8.5	6.0	21.0	43.0	85.0
RACL 16-10		M10	10.5	6.0	21.0	43.0	85.0
RACL 25-8	25	M8	8.5	6.8	21.0	43.0	85.0
RACL 25-10		M10	10.5	6.8	21.0	43.0	85.0
RACL 25-12		M12	13.0	6.8	21.0	43.0	85.0
RACL 35-8	35	M8	8.5	8.0	21.0	43.0	85.0
RACL 35-10		M10	10.5	8.0	21.0	43.0	85.0
RACL 35-12		M12	13.0	8.0	21.0	43.0	85.0
RACL 50-8	50	M8	8.5	9.8	25.0	43.0	90.0
RACL 50-10		M10	10.5	9.8	25.0	43.0	90.0
RACL 50-12		M12	13.0	9.8	25.0	43.0	90.0
RACL 70-10	70	M10	10.5	11.2	25.0	43.0	90.0
RACL 70-12		M12	13.0	11.2	25.0	43.0	90.0
RACL 95-10	95	M10	10.5	13.2	25.0	56.0	100.0
RACL 95-12		M12	13.0	13.2	25.0	56.0	100.0
RACL 95-16		M16	16.5	13.2	25.0	56.0	100.0

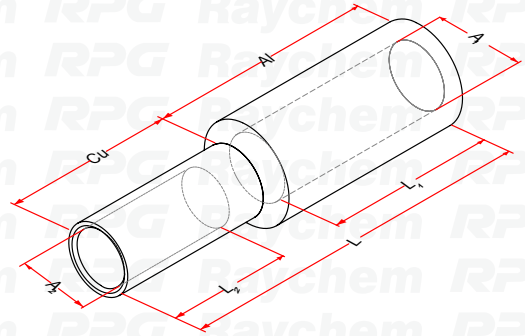
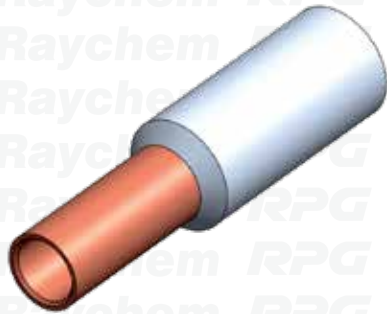
Continued...

Technical Data :

RACL One-Hole Lugs - Bi-Metallic ...Continued

Catalogue Code	Nominal Cross Section Sq mm	Bolt Size	Dimensions (mm)				
			Stud Hole	Barrel ID	Palm Width	Drill Length	Total Length
			E	A	D	B	J
RACL 120-12	120	M12	13.0	14.7	25.0	56.0	100.0
RACL 120-16		M16	16.5	14.7	25.0	56.0	100.0
RACL 150-12	150	M12	13.0	16.3	30.0	60.0	115.0
RACL 150-16		M16	16.5	16.3	30.0	60.0	115.0
RACL 150-20		M20	20.5	16.3	30.0	60.0	115.0
RACL 185-10	185	M10	10.5	18.3	30.0	60.0	115.0
RACL 185-12		M12	13.0	18.3	30.0	60.0	115.0
RACL 185-16		M16	16.5	18.3	30.0	60.0	115.0
RACL 185-20		M20	20.5	18.3	30.0	60.0	115.0
RACL 240-12	240	M12	13.0	21.0	35.0	70.0	130.0
RACL 240-16		M16	16.5	21.0	35.0	70.0	130.0
RACL 240-20		M20	20.5	21.0	35.0	70.0	130.0
RACL 300-12	300	M12	13.0	23.3	35.0	73.0	146.0
RACL 300-16		M16	16.5	23.3	35.0	73.0	146.0
RACL 300-20		M20	20.5	23.3	35.0	73.0	146.0
RACL 400-16	400	M16	16.5	26.0	35.0	73.0	146.0
RACL 400-12		M12	13.0	26.0	35.0	73.0	146.0
RACL 500-16	500	M16	16.5	29.1	60X60	94.0	200.0
RACL 630-16	630	M16	16.5	32.5	60X60	94.0	200.0
RACL 800-16	800	M16	16.5	37.5	80X80	120.0	260.0
RACL 1000-16	1000	M16	16.5	42.0	80X80	120.0	260.0

Technical Data :
In line Connectors - Bi-Metallic
 For Aluminum & Copper Conductor, Conductor Range 10-630 Sq mm



Characteristics

- For tapping into unbroken continuous main, as a wire joint or two-way splice
- Wide wire range-taking capability minimizes inventory requirements
- Made from heavy wall, extruded, high conductivity aluminium; provides high strength and premium electrical properties
- High conductivity electrolytic copper conforming to IS 1997 & aluminium of grade IE of IS 5082

Material

- High Conductivity ETP-Copper
- High Conductivity Electrolytic Aluminium

Catalogue Code	Nominal Cross Section (Sq mm)		Dimensions (mm)				Total Length
	Aluminium Nominal Cross Section Sq mm	Copper Nominal Cross Section Sq mm	Aluminium		Copper		
			Barrel ID	Barrel Length	Barrel ID	Barrel Length	
			A ₁	L ₁	A ₂	L ₂	L
RACC 16-10	16	10	6.0	32.0	4.5	15.0	60.0
RACC 25-10	25	10	7.0	35.0	4.5	15.0	65.0
RACC 25-16	25	16	7.0	35.0	6.0	18.0	65.0
RACC 35-16	35	16	8.0	40.0	6.0	18.0	70.0
RACC 35-25	35	25	8.0	40.0	7.0	20.0	70.0
RACC 50-16	50	16	9.0	45.0	6.0	18.0	75.0
RACC 50-25	50	25	9.0	45.0	7.0	20.0	75.0
RACC 50-35	50	35	9.0	45.0	8.2	20.0	75.0
RACC 70-35	70	35	11.2	45.0	8.2	20.0	78.0
RACC 70-50	70	50	11.2	45.0	10.0	21.0	80.0
RACC 70-70	70	70	11.2	45.0	11.5	23.0	80.0
RACC 95-35	95	35	13.2	47.0	8.2	20.0	82.0
RACC 95-50	95	50	13.2	47.0	10.0	21.0	82.0
RACC 95-70	95	70	13.2	47.0	11.5	23.0	85.0
RACC 120-50	120	50	14.7	47.0	10.0	21.0	82.0
RACC 120-70	120	70	14.7	47.0	11.5	23.0	85.0
RACC 120-95	120	95	14.7	47.0	14.0	27.0	90.0

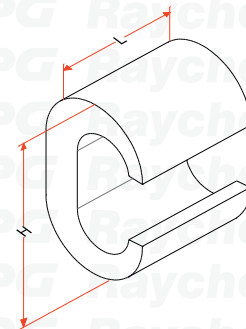
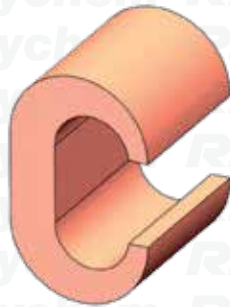
Continued...

Technical Data :

RACC In line Connectors - Bi-Metallic ...Continued

Catalogue Code	Nominal Cross Section (Sq mm)		Dimensions (mm)				
	Aluminium Nominal Cross Section Sq mm	Copper Nominal Cross Section Sq mm	Aluminium		Copper		Total Length
			Barrel ID	Barrel Length	Barrel ID	Barrel Length	
			A ₁	L ₁	A ₂	L ₂	
RACC 150-70	150	70	16.3	50.0	11.5	23.0	90.0
RACC 150-95	150	95	16.3	50.0	14.0	27.0	92.0
RACC 150-120	150	120	16.3	50.0	15.5	28.0	92.0
RACC 185-95	185	95	18.3	55.0	14.0	27.0	98.0
RACC 185-120	185	120	18.3	55.0	15.5	28.0	98.0
RACC 185-150	185	150	18.3	55.0	16.5	30.0	100.0
RACC 240-70	240	70	21.0	60.0	11.5	23.0	100.0
RACC 240-95	240	95	21.0	60.0	14.0	27.0	105.0
RACC 240-120	240	120	21.0	60.0	15.0	28.0	105.0
RACC 240-150	240	150	21.0	60.0	16.5	30.0	108.0
RACC 240-185	240	185	21.0	60.0	18.5	35.0	113.0
RACC 300-150	300	150	24.0	60.0	16.5	30.0	108.0
RACC 300-185	300	185	24.0	60.0	18.5	35.0	113.0
RACC 300-240	300	240	24.0	60.0	21.5	40.0	115.0
RACC 400-240	400	240	26.0	62.0	21.5	40.0	123.0
RACC 400-300	400	300	26.0	62.0	24.0	45.0	129.0
RACC 500-300	500	300	30.0	65.0	24.0	45.0	130.0
RACC 500-400	500	400	30.0	65.0	27.5	50.0	132.0
RACC 630-500	630	500	35.0	70.0	31.0	55.0	142.0

Technical Data :
Copper C-Crimps
 For Copper Conductor, Conductor Range 4-240 Sq mm



Characteristics

- For Use with Solid and Stranded Copper Code Conductors
- For tapping into unbroken continuous main, as a wire joint or two-way splice
- Wide wire range-taking capability minimizes inventory requirements
- Made from heavy wall, extruded, high conductivity copper; provides high strength and premium electrical properties

Material

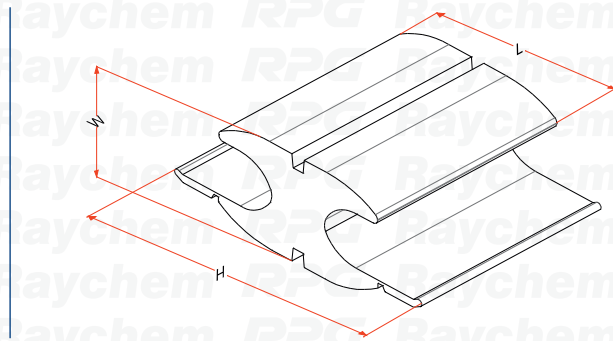
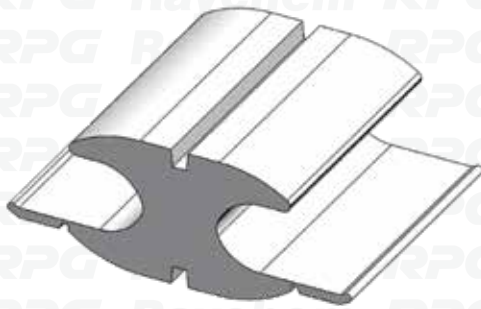
- High Conductivity ETP-Copper

Catalogue Code	Nominal Cross Section Range Sq mm		Dimension (mm)	
	Run	Tap	H	L
RCC 10-10	4 - 6	4 - 6	9.5	8.1
RCC 8-8	6 - 10	6 - 10	12.0	13.0
RCC 4-8	16 - 25	4 - 8	18.7	16.0
RCC 4-6	16 - 25	10 - 16	19.3	14.0
RCC 4-4	16 - 25	16 - 25	20.5	14.0
RCC 2-4	25 - 35	10 - 25	25.0	17.0
RCC 2-2	25 - 35	25 - 35	26.5	17.0
RCC 26-2	50 - 70	10 - 35	33.0	23.0
RCC 26-26	50 - 70	50 - 70	34.2	23.0
RCC 28-2	95 - 120	16 - 35	42.0	27.0
RCC 28-26	95 - 120	50 - 70	41.4	27.0
RCC 28-28	95 - 120	95 - 120	40.0	27.0
RCC 70-25*	63 - 70	1.5-25	26.6	21.0
RCC 29-28*	120 - 150	50 - 120	45.0	31.0
RCC 29-29*	120 - 150	120 - 150	45.0	30.0
RCC 31-27*	150 - 185	70 - 95	45.0	30.0
RCC 31-31*	150 - 185	150 - 185	62.0	22.6
RCC 34-28*	185 - 240	95 - 120	62.0	22.6

Technical Data :

Aluminium H-Crimps

For Aluminium & Copper Conductor, Conductor Range 6 - 4/0 AWG



Characteristics

- Available in universal & reversible figure H shaped aluminium
- Tabs on both run & Tap are bendable to make secure locks
- Accommodates all Aluminium, Copper, ACSR, AAAC and Steel Cables
- Compatible with all respective Competitive U dies
- Tested As Per ANSI C119.4 For Current Cycle Test that provides assurance to withstand ampacity of properly installed connection

Material

- High Conductivity Electrolytic Aluminium

Finish

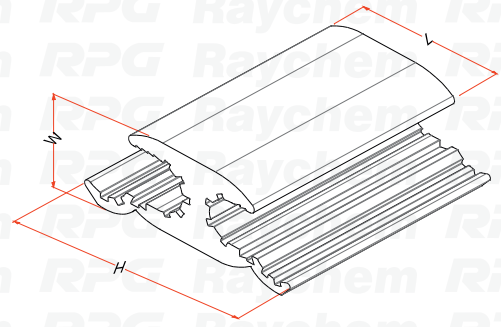
- Electro Tin Plated
- Recommended with copper conductors: Solid, Compact, compressed, concentric.

Catalogue Code	Groove A (Run)			Groove B (Tap)			Dimensions in Inch (mm)		
	Wire Diameter Range Inch (mm)	STR.	ACSR	Wire Diameter Range Inch (mm)	STR.	ACSR	H	L	W
RHC-O100	0.16 (4.1) - 0.33 (8.4)	#6 - #1	#6 - #2	0.16 (4.1) - 0.33 (8.4)	#6 - #1	6 - 2	1.12 (28.5)	1.25 (31.8)	0.7 (17.8)
RHC-O150	0.26 (6.7) - 0.42 (10.6)	#3 - 2/0	#3 - 1/0	0.16 (4.1) - 0.33 (8.4)	#6 - 1/0	6 - 2	1.13 (28.8)	1.5 (38.1)	0.7 (17.8)
RHC-D200	0.4 (10.2) - 0.47 (11.9)	2/0 - 3/0	1/0 - 2/0	0.16 (4.1) - 0.33 (8.4)	#6 - 1/0	6 - 2	1.45 (36.9)	1.62 (41.2)	0.89 (22.7)
RHC-D250	0.48 (12.2) - 0.56 (14.2)	4/0	3/0 - 4/0	0.16 (4.1) - 0.33 (8.4)	#6 - 1/0	6 - 2	1.47 (37.4)	1.62 (41.2)	0.89 (22.7)
RHC-D300	0.34 (8.5) - 0.47 (11.9)	3 - 3/0	#1 - 2/0	0.34 (8.5) - 0.47 (11.9)	2/0 - 3/0	1/0 - 2/0	1.42 (36.1)	1.88 (47.7)	0.89 (22.7)
RHC-D350	0.46 (11.7) - 0.56 (14.2)	3/0 - 4/0	3/0 - 4/0	0.34 (8.5) - 0.47 (11.9)	2/0 - 3/0	1/2/2000	1.42 (36.1)	2.25 (57.2)	0.89 (22.7)
RHC-D400	0.46 (11.7) - 0.56 (14.2)	3/0 - 4/0	3/0 - 4/0	0.46 (11.7) - 0.56 (14.2)	4/0	3/0 - 4/0	1.4 (35.6)	2.5 (63.5)	0.84 (21.4)

Technical Data :

Aluminium H-Crimps - Serration Type

For Aluminium & Copper Conductor, Conductor Range 3 - 2/0 AWG



Characteristics

- Field-proven ribbed design enables excellent connector/conductor contact without distorting the conductor's shape
- Fold-in tabs provide positive tab interlock as tool close
- Accommodates all Aluminium, Copper, ACSR, AAAC and Steel Cables
- Compatible with all respective Competitive U dies

Material

- High Conductivity Electrolytic Aluminium

Finish

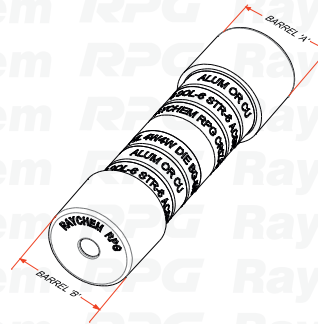
- Electro Tin Plated

Catalogue Code	CONDUCTOR RANGE													
	Standard Conductor						Compact Conductor				Diameter (In)			
	MAIN			TAP			MAIN		TAP		MAIN		TAP	
	ACSR	STR.	SOL.	ACSR	STR.	SOL.	ACSR	STR.	ACSR	STR.	MIN.	MAX.	MIN.	MAX.
RHC-0179	3-1/0	2-1/0	#1	6-4	6-3	6-2	2-1/0	2-2/0	6-4	6-2	0.398	0.266	0.266	0.162
RHC-0199	3-1/0	2-1/0	#1	4-2	4-1	2-1	2-1/0	2-2/0	4-1	2-1	0.398	0.266	0.332	0.232
RHC-D259	1-1/0	1/0-2/0	—	1-1/0	1/0-2/0	—	1/0-2/0	1/0-2/0	1/0-2/0	1/0-2/0	0.419	0.326	0.412	0.292
RHC-9	6-3	6-3	4-1	—	14-8	14-8	—	—	—	—	0.292	0.184	0.146	0.064

Technical Data :

Insulated Two Way Connectors

For Aluminum & Copper Conductor, Conductor Range 10 - 2 Str



Characteristics

- The Range of Insulated connectors are used for easy, fast and reliable connection and distribution in electrical application
- Different color code help to easily differentiate the size of connector
- Insulated jacket of connectors is help to protect against the dust, water and weather
- Prefilled with Inhibitor
- Applicable for CU-AL & AL-AL connections
- Applicable for electrical applications upto 600V

Material

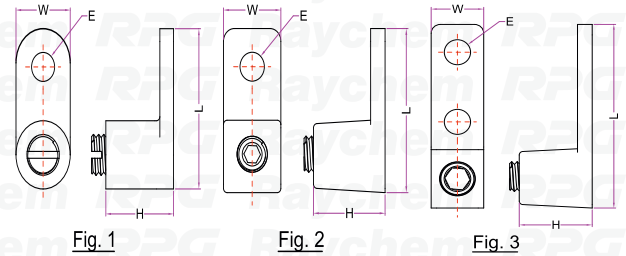
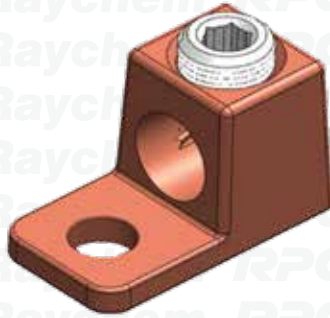
- High Conductivity Electrolytic Aluminium

Catalogue Code	BARREL 'A'		Color Code	BARREL 'B'		Color Code
	ACSR (AWG)	Aluminium (AWG)		ACSR (AWG)	Aluminium (AWG)	
RIL 8W8W	-	10 str-8 Sol	Brown	-	10 str-8 Sol	Brown
RIL 6W8W	-	8 str-6 Sol	Brown	-	10 str-8 Sol	Brown
RIL 6W6W	-	8 str-6 Sol	Green	-	8 str-6 Sol	Green
RIL 4W8W	6	6 str-4 Sol	Brown	-	10 str-8 Sol	Brown
RIL 4W6W	6	6 str-4 Sol	Green	-	8 str-6 Sol	Green
RIL 4W4W	6	6 str-4 Sol	Blue	6	6 str-4 Sol	Blue
RIL 2W8W	4	4 str-2 Sol	Brown	-	10 str-8sol	Brown
RIL 2W6W	4	4 str-2 Sol	Green	-	8 str-6 Sol	Green
RIL 2W4W	4	4 str-2 Sol	Blue	6	6 str-4 Sol	Blue
RIL 2W2W	4	4 str-2 Sol	Orange	4	4 str-2 Sol	Orange
RIL 2R8W	2	1 str-2 str	Brown	-	10 str-8 Sol	Brown
RIL 2R6W	2	1 str-2 str	Green	-	8 str-6 Sol	Green
RIL 2R4W	2	1 str-2 str	Blue	6	6 str-4 Sol	Blue
RIL 2R2W	2	1 str-2 str	Orange	4	4 str-2 Sol	Orange
RIL 2R2R	2	1 str-2 str	Red	2	1 str-2 str	Red

Technical Data :

Copper Mechanical Connector

For Copper Conductor, Conductor Range 14 AWG to 500 MCM



Characteristics

- Compact, Economical and High conductivity copper alloy terminal
- Applicable for joining a wide range of conductors to equipments and Terminal Blocks
- Easy to install with screwdriver or wrench

Material

- Main Body - Copper Alloy
- Grub Screw (RAS) - Steel
- Grub Screw (RAB) - Brass

Finish

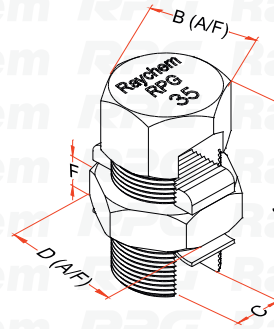
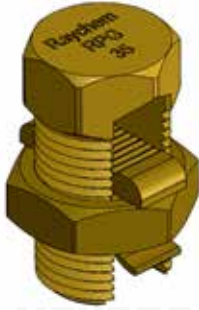
- Natural

Catalogue Code	Conductor Size	Stud Hole E	Stud Hole Spacing	Dimensions (mm)			Tightening Torque in lb (Nm)	Fig. No.
				W	H	L		
RAS-25	#4 Str. (0.232) -1/0 Str.(0.373)	10.7	-	19.0	24.0	42.5	23	2
RAS-25-2T	#4 Str. (0.232) -1/0 Str.(0.373)	10.7	24.5	19.0	24.0	68.0	23	3
RAS-28	#1 Str. (0.232) -4/0 Str.(0.528)	11	-	23.8	25.8	50.0	31	2
RAS-34	4/0 Str. (0.528) -500 Kcmil (0.814)	14.5	-	35.0	40.7	65.0	42	2
RAS-4C	#14 STR/SOL (0.064)-#4 STR (0.232)	7.1	-	13.5	14.8	28.2	5	1
RAS-8C	#14 STR/SOL (0.064)-#8 STR (0.146)	5.3	-	9.7	11.0	20.6	3	1
RAB-25	#4 Str. (0.232) -1/0 Str.(0.373)	10.7	-	19.0	24.0	42.5	23	2
RAB-25-2T	#4 Str. (0.232) -1/0 Str.(0.373)	10.7	24.5	19.0	24.0	68.0	23	3
RAB-28	#1 Str. (0.232) -4/0 Str.(0.528)	11	-	23.8	25.8	50.0	31	2
RAB-34	4/0 Str. (0.528) -500 Kcmil (0.814)	14.5	-	35.0	40.7	65.0	42	2

Technical Data :

Split Bolt Connector

For Copper Conductor, Conductor Range 6-300 Sq mm



Characteristics

- Split bolt connector are made with high tensile brass as per BS 2874-CZ 112.
- Threads are formed by rolling process giving the nut extra clamping force
- Pressure pads are made from extruded bars (not cast), preventing the pads from cracking
- Split bolt connector are manufactured in passivated natural brass

Material

- Brass

Finish

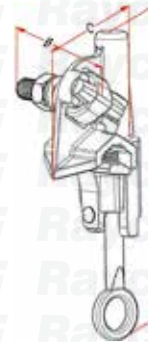
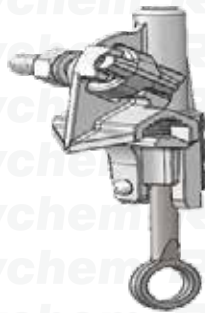
- Natural
- Recommended with copper conductors: Solid, Compact, compressed, concentric.

Catalogue Code	Nominal Cross Section Sq mm	Dimensions (mm)				
		J	C	B (A/F)	D (A/F)	F
RSBC-6	6	24.00	3.20	10.00	12.70	6.50
RSBC-10	10	27.30	5.50	12.70	19.00	5.60
RSBC-16	16	27.30	5.50	12.70	19.00	5.60
RSBC-25	25	28.90	6.90	15.00	19.00	5.60
RSBC-35	35	34.80	8.10	18.00	24.00	7.10
RSBC-50	50	42.00	9.60	23.00	27.30	9.40
RSBC-70	70	47.50	11.17	23.00	30.00	9.40
RSBC-95	90	53.00	14.00	25.40	34.30	9.40
RSBC-120	120	59.00	16.00	30.00	35.55	12.20
RSBC-150	150	59.00	16.00	30.00	35.55	12.20
RSBC-185	185	59.00	18.00	32.00	38.10	12.20
RSBC-240	240	76.20	22.20	39.00	48.25	14.60
RSBC-300	300	76.20	23.00	39.00	48.25	14.60

Technical Data :

Hot Line Clamps

For Copper & Aluminium Conductor, Conductor Range 8 AWG - 400 mcm



Characteristics

- Aluminium tin plated Hot Line clamp to be installed on live line using an insulated stick
- It is designed to be used in different cable ranges, either copper, aluminium or ACSR
- In connections with aluminium based conductors, it is recommended the use of an inhibitor paste antioxidant to prevent galvanic corrosion
- ROHS Complaint

Material

- High Conductivity Electrolytic Aluminium

Finish

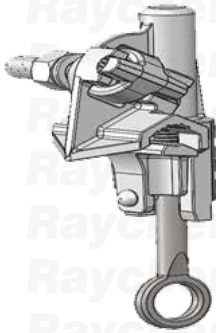
- Electro Tin Plated
- Recommended with copper conductors: Solid, Compact, compressed, concentric.

Catalogue Code	Connection Type		MAIN			TAP			Dimensions Inch (mm)	
	Run	Tap	Dia. Inch (mm)	AAC/CU	ACSR	Dia. Inch (mm)	AAC/CU	ACSR	A	C
RHLA 2020	Al	Al/Cu	0.128-0.414 (3.25-10.51)	#8 - 2/0 Str.	#8 - 1/0	0.128-0.414 (3.25-10.51)	#8 Sol. / 2/0 Str.	#8 - 1/0	4.5 (114.3)	2.85 (72.4)
RHLA 4004	Al	Al/Cu	0.162-0.745 (4.11-18.92)	#6 - 400	#6 - 397.5 (18/1)	0.152-0.63 (3.86-16.0)	#6 Sol - 4/0 Str.	#6 - 3/0	6.7 (170.1)	2.44 (61.0)

Technical Data :

Hot Line Clamps

For Copper, Conductor Range 8 AWG - 400 MCM



Characteristics

- Copper alloy tin plated Hot line clamp to be installed on live line using an insulated stick
- It is designed to be used in different cable ranges, either copper or ACSR
- In connections with aluminium based conductors, it is recommended the use of an inhibitor paste antioxidant to prevent galvanic corrosion
- ROHS Complaint

Material

- High Conductivity Electrolytic Copper Alloy

Finish

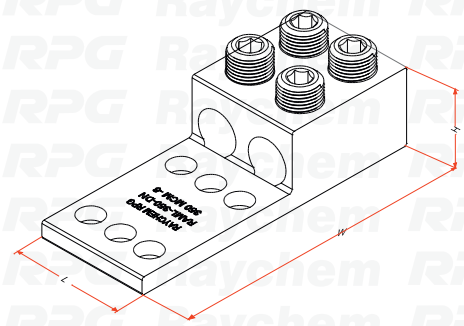
- Electro Tin Plated
- Recommended with copper conductors: Solid, Compact, compressed, concentric.

Catalogue Code	Connection Type		MAIN			TAP			Dimensions Inch (mm)	
	Run	Tap	Dia. Inch (mm)	AAC/CU	ACSR	Dia. Inch (mm)	AAC/CU	ACSR	A	C
RHLB 2020	Cu	Cu	0.128-0.414 (3.25-10.51)	#8 - 2/0 Str.	#8 - 1/0	0.128-0.414 (3.25-10.51)	#8 Sol. / 2/0 Str.	#8 - 1/0	5.12 (130.0)	2.64 (67.0)
RHLB 4004	Cu	Cu	0.162-0.745 (4.114-18.92)	#6 - 400	#6 - 397.5 (18/1)	0.152-0.63 (3.86-16.0)	#6 Sol - 4/0 Str.	#6 - 3/0	7.2 (182.9)	2.35 (59.7)

Technical Data :

Dual-Rated Mechanical Connector

For Aluminium & Copper Conductor, Conductor Range 12 - 1000 AWG



Characteristics

- The Mechanical Cable Connectors are manufactured from high conductivity electrolytic Aluminium
- The Connectors are chemically treated to reduce resistance & Corrosion
- The Connectors are filled with an inhibiting compound, which breaks the oxide layers on the aluminium Conductor
- It is used for Termination and Connection between different types of Aluminium cable size

Material

- High strength Aluminium 6061-T6

Catalogue Code	Conductor Range	Bolt Size	No of Stud Hole	No of Barrel	Dimensions (Inch)		
					Length (A)	Width (C)	Height (B)
RAML-6-S	4 - 14 AWG	1/4	1	1	1.06	0.50	0.50
RAML-2	2 - 14 AWG	1/4	1	1	1.16	0.50	0.55
RAML-0	1/0 - 14 AWG	1/4	1	1	1.47	0.63	0.79
RAML-2/0	2/0 - 14 AWG	1/4	1	1	1.47	0.63	0.79
RAML-250	250 kcmil - 6 AWG	5/16	1	1	1.98	0.99	1.12
RAML-300	300 kcmil - 6 AWG	1/4	1	1	1.98	0.85	1.12
RAML-350	350 kcmil - 6 AWG	3/8	1	1	2.25	1.13	1.25
RAML-500	500 kcmil - 4 AWG	3/8	1	1	2.81	1.50	1.56
RAML-600	600 kcmil - 2 AWG	3/8	1	1	3.19	1.50	1.56
RAML-800	800 kcmil - 300 kcmil	5/8	1	1	3.38	1.75	1.94
RAML-800-S	800 kcmil - 3/0 AWG	5/8	1	1	3.25	1.31	1.81
RAML-1000	1000 kcmil - 350 kcmil	5/8	1	1	3.38	1.75	1.94
RAML-1000-S	1000 kcmil - 500 kcmil	5/8	1	1	3.25	1.44	1.81
RAML-350-2NS	350 kcmil - 6 AWG	1/2	2	1	4.31	1.13	1.38
RAML-600-2NS	600 kcmil - 2 AWG	1/2	2	1	4.69	1.50	1.56
RAML-800-2NS	800 kcmil - 300 kcmil	1/2	2	1	4.75	1.75	1.94
RAML-1000-2NS	1000 kcmil - 500 kcmil	1/2	2	1	4.75	1.75	1.94
RAML-350-2N	350 kcmil - 6 AWG	1/2	2	1	5.50	1.25	1.50
RAML-600-2N	600 kcmil - 2 AWG	1/2	2	1	5.50	1.38	1.50
RAML-800-2N	800 kcmil - 300 kcmil	1/2	2	1	5.97	1.50	1.81
RAML-1000-2N	800 kcmil - 300 kcmil	1/2	2	1	5.97	1.63	1.81
RPBL2-300	300 kcmil - 6 AWG	5/16	1	2	3.00	1.00	2.00
RPBL2-500	500 kcmil - 4/0 AWG	1/4	2	2	2.91	1.44	2.38
RPBL2-600	600 kcmil - 2 AWG	3/8	2	2	4.91	1.50	3.00

Continued...

RAML/ RPBL

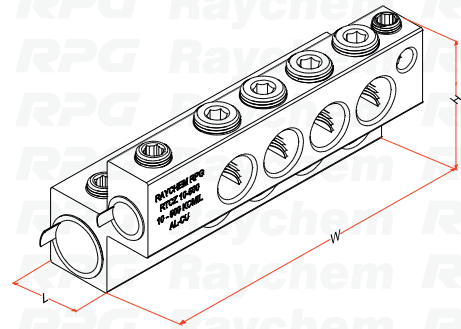
Technical Data :

RACL Dual-Rated Mechanical Connector ...Continued

Catalogue Code	Conductor Range	Bolt Size	No of Stud Hole	No of Barrel	Dimensions (Inch)		
					Length (A)	Width (C)	Height (B)
RPBL3-600	600 kcmil - 2 AWG	3/8	2	3	4.91	2.47	3.00
RPBL4-600	600 kcmil - 2 AWG	3/8	2	4	4.91	2.47	3.00
RPBL2-750	750 kcmil - 1/0 AWG	3/8	2	2	4.91	1.69	3.00
RPBL4-750	750 kcmil - 1/0 AWG	3/8	2	4	4.91	2.63	3.00
RPBL3-600-2N	600 kcmil - 2 AWG	1/2	2	3	5.07	2.47	3.00
RPBL2-600-2N	600 kcmil - 2 AWG	1/2	2	2	5.07	1.50	3.00
RPBL2-750-2N	750 kcmil - 1/0 AWG	1/2	2	2	5.07	1.69	3.00
RPBL4-600-2N	600 kcmil - 2 AWG	1/2	2	4	5.07	2.47	3.00
RPBL4-750-2N	750 kcmil - 1/0 AWG	1/2	2	4	5.07	3.06	3.00
RAML-0-D	1/0 - 14 AWG	1/4	1	2	1.47	1.13	0.79
RAML-2/0-D	2/0 - 14 AWG	1/4	1	2	1.47	1.25	0.79
RAML-250-D	250 kcmil - 6 AWG	3/8	1	2	2.56	1.65	1.19
RAML-350-D	350 kcmil - 6 AWG	1/2	1	2	2.88	1.89	1.25
RAML-600-D	600 kcmil - 2 AWG	1/2	1	2	3.19	2.41	1.56
RAML-800-D	800 kcmil - 300 kcmil	5/8	1	2	3.38	3.19	1.94
RAML-1000-D	1000 kcmil - 500 kcmil	5/8	1	2	3.38	3.19	1.94
RAML-600-D2NS	600 kcmil - 2 AWG	1/2	2	2	4.69	2.41	1.56
RAML-800-D2NS	800 kcmil - 300 kcmil	1/2	2	2	4.75	3.19	1.94
RAML-1000-D2NS	1000 kcmil - 500 kcmil	1/2	2	2	4.75	3.19	1.94
RAML-350-D2N	350 kcmil - 6 AWG	1/2	2	2	4.31	2.00	1.38
RAML-350-DN	350 kcmil - 6 AWG	1/2	6	2	5.50	2.75	1.50
RAML-600-D2N	600 kcmil - 2 AWG	1/2	6	2	5.50	2.75	1.50
RAML-800-D2N	800 kcmil - 300 kcmil	1/2	6	2	5.97	3.00	1.81
RAML-1000-D2N	1000 kcmil - 500 kcmil	1/2	6	2	5.97	3.25	1.81

Technical Data : Z-Connector

For Aluminium Conductor, Conductor Range 350 -750 Sq mm



Characteristics

- The Z type Cable Connectors are manufactured from high conductivity and High strength Aluminium
- Tested as per ANSI C119.6 C (Class A)
- The Connectors are filled with an inhibiting compound, which breaks the oxide layers on the aluminium Conductor

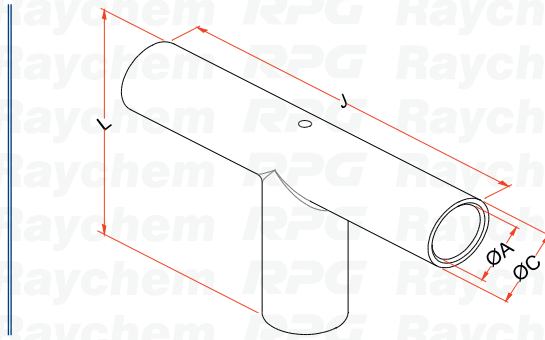
Material

- High strength Aluminium 6061-T6

Catalogue Code	No. of Conductor	Conductor Range (AWG)	Dimensions (mm)		
			H	W	L
RTCZ2- 350	2	350-8	55.13	63.5	4.1
RTCZ4- 350	4	350-8	55.13	63.5	5.9
RTCZ6- 350	6	350-8	55.13	63.5	7.8
RTCZ8-350	8	350-8	55.13	63.5	9.7
RTCZ2-500	2	500-6	66.15	76.2	4.6
RTCZ4-500	4	500-6	66.15	76.2	7
RTCZ6-500	6	500-6	66.15	76.2	9.4
RTCZ8-500	8	500-6	66.15	76.2	11.8
RTCZ4-750	4	750-2	73.50	125.73	9.3
RTCZ6-750	6	750-2	73.50	125.73	11.9
RTCZ8-750	8	750-2	73.50	125.73	14.75

Technical Data : T-Connector

For Copper Conductor, Conductor Range 120-400 Sq mm



Characteristics

- Annealed material optimizes material and crimping properties
- Simply cable entry due to internal chamfer

Material

- High conductivity electrolytic copper

Finish

- Electro Tin Plated

Catalogue Code	Nominal Cross Section mm ²	Dimensions (mm)			
		Barrel ID	Barrel OD	Total Length	Total Height
		ØA	ØC	J	L
RTC120	120	14.5	19.0	103.0	77.0
RTC240	240	20.6	26.0	131.0	79.0
RTC300	300	24.0	32.0	157.0	94.0
RTC400	400	27.0	39.0	182.0	105.0

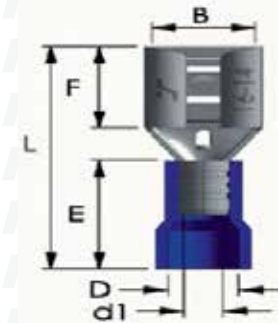
COPPER TERMINALS LUGS & CONNECTORS

RLSPF

Technical Data :

Insulated Terminals - Snap On (Female)

For Copper Conductor, Conductor Range 0.25-6 Sq mm



Characteristics

- Maximum Electrical rating : 300 Volt
- Maximum Temperature : 105 °C
- Insulation Material : PVC or Nylon

Add Suffix

- P – PVC Insulation
- N – Nylon Insulation

Material

- High Conductivity Brass

Finish

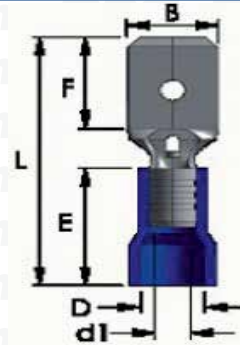
- Electro Tin Plated

Catalogue Code	Nominal Cross Section Sq mm	Dimension inch (mm)							Colour Code
		B	F	L	E	D	d1	t	
RLSPF-01U	0.25-1.5	0.126 (3.2)	0.252(6.4)	0.728 (18.5)	0.394 (10.0)	0.157 (4.0)	0.67 (1.7)	0.10 (0.25)	Red
RLSPF-02U	0.25-1.5	0.126 (3.2)	0.252(6.4)	0.728 (18.5)	0.394 (10.0)	0.157 (4.0)	0.67 (1.7)	0.10 (0.25)	
RLSPF-03U	0.25-1.5	.197 (5.0)	.256 (6.5)	.748 (19.0)	0.394 (10.0)	0.157 (4.0)	0.67 (1.7)	.014 (0.35)	
RLSPF-04U	0.25-1.5	.197 (5.0)	.256 (6.5)	.748 (19.0)	0.394 (10.0)	0.157 (4.0)	0.67 (1.7)	.014 (0.35)	
RLSPF-05U	0.25-1.5	.260 (6.6)	.311 (7.9)	.827 (21.0)	0.394 (10.0)	0.157 (4.0)	0.67 (1.7)	.016 (0.4)	
RLSPF-06*	0.25-1.5	.331 (8.4)	.394 (10.0)	.945 (24.0)	0.394 (10.0)	0.157 (4.0)	0.67 (1.7)	.016 (0.4)	
RLSPF-07U	2.5	0.126 (3.2)	0.252(6.4)	0.728 (18.5)	0.394 (10.0)	1.77 (4.5)	.091 (2.3)	0.10 (0.25)	Blue
RLSPF-08U	2.5	0.126 (3.2)	0.252(6.4)	0.728 (18.5)	0.394 (10.0)	1.77 (4.5)	.091 (2.3)	0.10 (0.25)	
RLSPF-09U	2.5	.197 (5.0)	.256 (6.5)	.748 (19.0)	0.394 (10.0)	1.77 (4.5)	.091 (2.3)	.014 (0.35)	
RLSPF-10U	2.5	.197 (5.0)	.256 (6.5)	.748 (19.0)	0.394 (10.0)	1.77 (4.5)	.091 (2.3)	.014 (0.35)	
RLSPF-11U	2.5	.260 (6.6)	.311 (7.9)	.827 (21.0)	0.394 (10.0)	1.77 (4.5)	.091 (2.3)	.016 (0.4)	
RLSPF-12*	2.5	.331 (8.4)	.394 (10.0)	.945 (24.0)	0.394 (10.0)	1.77 (4.5)	.091 (2.3)	.016 (0.4)	
RLSPF-13*	2.5	.390 (9.9)	.492 (12.5)	1.122 (28.5)	0.394 (10.0)	1.77 (4.5)	.091 (2.3)	.020 (0.5)	Yellow
RLSPF-14U	4-6	.260 (6.6)	.311 (7.9)	.925 (23.5)	.492 (12.5)	.217 (5.5)	.134 (3.4)	.016 (0.4)	
RLSPF-15*	4-6	.390 (9.9)	.492 (12.5)	1.122 (28.5)	.492 (12.5)	.217 (5.5)	.134 (3.4)	.020 (0.5)	

Technical Data :

Insulated Terminals - Snap On (Male)

For Copper Conductor, Conductor Range 0.25-6 Sq mm



Characteristics

- Maximum Electrical rating : 300 Volt
- Maximum Temperature : 105 °C
- Insulation Material : PVC or Nylon

Add Suffix

- P – PVC Insulation
- N – Nylon Insulation

Material

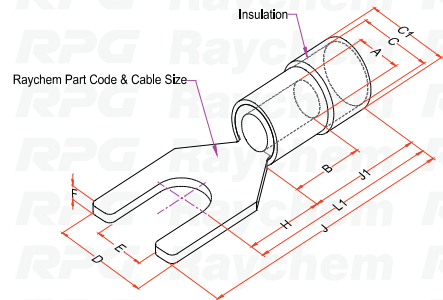
- High Conductivity Brass

Finish

- Electro Tin Plated

Catalogue Code	Nominal Cross Section Sq mm	Dimension inch (mm)							Colour Code
		B	F	L	E	D	d1	t	
RLSPM-01U	0.25-1.5	.110 (2.8)	.276 (7.0)	.756 (19.2)	.394 (10.0)	.157 (4.0)	.067 (1.7)	.020 (0.5)	Red
RLSPM-02U	0.25-1.5	.110 (2.8)	.307 (7.8)	.807 (20.5)	.394 (10.0)	.157 (4.0)	.067 (1.7)	.016 (0.4)	
RLSPM-03U	0.25-1.5	.189 (4.8)	.276 (7.0)	.756 (19.2)	.394 (10.0)	.157 (4.0)	.067 (1.7)	.020 (0.5)	
RLSPM-04U	0.25-1.5	.189 (4.8)	.307 (7.8)	.807 (20.5)	.394 (10.0)	.157 (4.0)	.067 (1.7)	.016 (0.4)	
RLSPM-05U	0.25-1.5	.250 (6.35)	.307 (7.8)	.835 (21.2)	.394 (10.0)	.157 (4.0)	.067 (1.7)	.016 (0.4)	
RLSPM-06U	2.5	.110 (2.8)	.276 (7.0)	.756 (19.2)	.394 (10.0)	.177 (4.5)	.091 (2.3)	.020 (0.5)	Blue
RLSPM-07U	2.5	.110 (2.8)	.307 (7.8)	.807 (20.5)	.394 (10.0)	.177 (4.5)	.091 (2.3)	.016 (0.4)	
RLSPM-08U	2.5	.189 (4.8)	.276 (7.0)	.756 (19.2)	.394 (10.0)	.177 (4.5)	.091 (2.3)	.020 (0.5)	
RLSPM-09U	2.5	.189 (4.8)	.307 (7.8)	.807 (20.5)	.394 (10.0)	.177 (4.5)	.091 (2.3)	.016 (0.4)	
RLSPM-10U	2.5	.250 (6.35)	.307 (7.8)	.835 (21.2)	.394 (10.0)	.177 (4.5)	.091 (2.3)	.016 (0.4)	
RLSPM-11U	4-6	.250 (6.35)	.307 (7.8)	.913 (23.2)	.492 (12.5)	.217 (5.5)	.134 (3.4)	.016 (0.4)	Yellow

Technical Data : Insulated Terminals - Fork Type For Copper Conductor, Conductor Range 0.25 - 10 Sq mm



Characteristics

- Maximum Electrical rating : 600 Volt
- Maximum Temperature : 105 °C)
- Insulation Material : PVC or Nylon

Add Suffix

- P – PVC Insulation
- N – Nylon Insulation

Material

- High Conductivity Copper

Finish

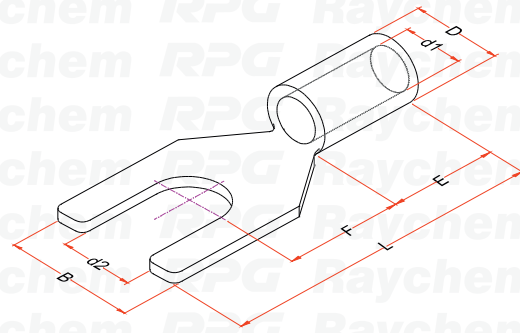
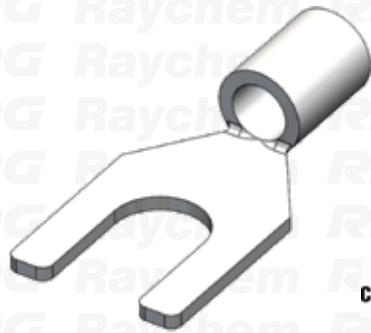
- Electro Tin Plated

Catalogue Code	Nominal Cross Section Sq mm	Dimension inch (mm)							Colour code
		Stud Size d2	B	F	L	E	D	d1	
RLFI02-02U	0.25-1.5	#6(3.7)	.252 (6.4)	.811 (20.6)	.248 (6.3)	.394 (10.0)	.161 (4.1)	.067 (1.7)	Red
RLFI02-03U	0.25-1.5	#6(3.7)	.283(7.2)	.827 (21.0)	.248 (6.3)	.394 (10.0)	.161 (4.1)	.067 (1.7)	
RLFI02-04U	0.25-1.5	#8 (4.3)	.252 (6.4)	.811 (20.6)	.248 (6.3)	.394 (10.0)	.161 (4.1)	.067 (1.7)	
RLFI02-05U	0.25-1.5	#8 (4.3)	.283(7.2)	.827 (21.0)	.248 (6.3)	.394 (10.0)	.161 (4.1)	.067 (1.7)	
RLFI02-06U	0.25-1.5	#8 (4.3)	.315 (8.0)	.827 (21.0)	.276 (7.0)	.394 (10.0)	.161 (4.1)	.067 (1.7)	
RLFI01-01U	0.25-1.5	#10 (5.3)	.315 (8.0)	.827 (21.0)	.276 (7.0)	.394 (10.0)	.161 (4.1)	.067 (1.7)	
RLFI01-02U	0.25-1.5	#10 (5.3)	.374 (9.5)	.827 (21.0)	.276 (7.0)	.394 (10.0)	.161 (4.1)	.067 (1.7)	
RLFI01-03U	0.25-1.5	1/4 (6.5)	.374 (9.5)	.827 (21.0)	.276 (7.0)	.394 (10.0)	.161 (4.1)	.067 (1.7)	
RLFI01-04U	0.25-1.5	1/4 (6.5)	.472 (12.0)	1.071 (27.2)	.433 (11.0)	.394 (10.0)	.161 (4.1)	.067 (1.7)	
RLFI01-05U	0.25-1.5	5/16 (8.4)	.472 (12.0)	1.071 (27.2)	.433 (11.0)	.394 (10.0)	.161 (4.1)	.067 (1.7)	
RLFI01-06U	2.5	#4 (3.2)	.197 (5.0)	.827 (21.0)	.248 (6.3)	.394 (10.0)	.177 (4.5)	.091 (2.3)	Blue
RLFI01-07U	2.5	#4 (3.2)	.228 (5.8)	.827 (21.0)	.248 (6.3)	.394 (10.0)	.177 (4.5)	.091 (2.3)	
RLFI04-01U	2.5	#6 (3.7)	.228 (5.8)	.827 (21.0)	.248 (6.3)	.394 (10.0)	.177 (4.5)	.091 (2.3)	
RLFI04-02U	2.5	#6 (3.7)	.252 (6.4)	.827 (21.0)	.248 (6.3)	.394 (10.0)	.177 (4.5)	.091 (2.3)	
RLFI04-03U	2.5	#6 (3.7)	.283 (7.2)	.835 (21.2)	.256 (6.5)	.394 (10.0)	.177 (4.5)	.091 (2.3)	
RLFI04-04U	2.5	#8 (4.3)	.252 (6.4)	.827 (21.0)	.248 (6.3)	.394 (10.0)	.177 (4.5)	.091 (2.3)	
RLFI04-05U	2.5	#8 (4.3)	.283 (7.2)	.835 (21.2)	.256 (6.5)	.394 (10.0)	.177 (4.5)	.091 (2.3)	
RLFI04-06U	2.5	#8 (4.3)	.335 (8.5)	.866 (22.0)	.287 (7.3)	.394 (10.0)	.177 (4.5)	.091 (2.3)	
RLFI05-01U	2.5	#10 (5.3)	.335 (8.5)	.866 (22.0)	.287 (7.3)	.394 (10.0)	.177 (4.5)	.091 (2.3)	
RLFI05-02U	2.5	#10 (5.3)	.374 (9.5)	.866 (22.0)	.287 (7.3)	.394 (10.0)	.177 (4.5)	.091 (2.3)	
RLFI05-03U	2.5	1/4 (6.5)	.374 (9.5)	.866 (22.0)	.287 (7.3)	.394 (10.0)	.177 (4.5)	.091 (2.3)	
RLFI05-04U	2.5	1/4 (6.5)	.472 (12.0)	1.071 (27.2)	.433(11.0)	.394 (10.0)	.177 (4.5)	.091 (2.3)	
RLFI05-05U	2.5	5/16(8.4)	.472 (12.0)	1.071 (27.2)	.433(11.0)	.394 (10.0)	.177 (4.5)	.091 (2.3)	
RLFI06-01U	4-6	#6 (3.7)	.283 (7.2)	.992 (25.2)	.295 (7.5)	.492 (12.5)	.256 (6.5)	.134 (3.4)	Yellow
RLFI07-01U	4-6	#6 (3.7)	.335 (8.5)	.992 (25.2)	.295 (7.5)	.492 (12.5)	.256 (6.5)	.134 (3.4)	
RLFI07-02U	4-6	#8 (4.3)	.335 (8.5)	.992 (25.2)	.295 (7.5)	.492 (12.5)	.256 (6.5)	.134 (3.4)	
RLFI07-03U	4-6	#8 (4.3)	.374 (9.5)	.992 (25.2)	.295 (7.5)	.492 (12.5)	.256 (6.5)	.134 (3.4)	
RLFI07-04U	4-6	#10 (5.3)	.374 (9.5)	.992 (25.2)	.295 (7.5)	.492 (12.5)	.256 (6.5)	.134 (3.4)	
RLFI07-05U	4-6	1/4 (6.5)	.374 (9.5)	.992 (25.2)	.295 (7.5)	.492 (12.5)	.256 (6.5)	.134 (3.4)	
RLFI07-06U	4-6	1/4 (6.5)	.472 (12.0)	1.228 (31.2)	.572 (12.0)	.492 (12.5)	.256 (6.5)	.134 (3.4)	
RLFI07-07U	4-6	5/16(8.4)	.531 (13.5)	1.181 (30.0)	.413 (10.4)	.492 (12.5)	.256 (6.5)	.134 (3.4)	
RLFI08-01*	10	#8 (4.3)	.323 (8.2)	1.142 (29.0)	.319 (8.1)	.669 (17.0)	.315 (8.0)	.177 (4.5)	Red
RLFI08-02*	10	#10 (5.3)	.354 (9.0)	1.142 (29.0)	.319 (8.1)	.669 (17.0)	.315 (8.0)	.177 (4.5)	
RLFI08-03*	10	1/4 (6.5)	.425 (10.8)	1.201 (30.5)	.339 (8.6)	.669 (17.0)	.315 (8.0)	.177 (4.5)	

Technical Data :

Non-Insulated Terminals - Fork Type

For Copper Conductor, Conductor Range 0.25 - 10 Sq mm



Characteristics

- Maximum Electrical rating : 600 Volt
- Maximum Temperature : 105 °C)
- Insulation Material : PVC or Nylon

Material

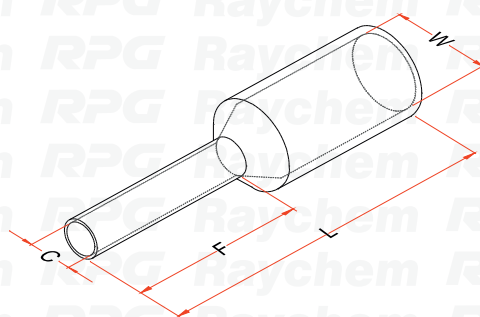
- High Conductivity Copper

Finish

- Electro Tin Plated

Catalogue Code	Nominal Cross Section Sq mm	Dimension inch (mm)						
		Stud Size d2	B	F	L	E	D	d1
RLF-03-01U	0.25-1.5	#4(3.2)	.197(5.0)	.248(6.3)	.630(16.0)	.197(5.0)	.134(3.4)	.067(1.7)
RLF-03-02U	0.25-1.5	#4(3.2)	.228(5.8)	.248(6.3)	.630(16.0)	.197(5.0)	.134(3.4)	.067(1.7)
RLF-02-02U	0.25-1.5	#6(3.7)	.228(5.8)	.248(6.3)	.630(16.0)	.197(5.0)	.134(3.4)	.067(1.7)
RLF-02-03*	0.25-1.5	#6(3.7)	.252(6.4)	.248(6.3)	.614(15.6)	.197(5.0)	.134(3.4)	.067(1.7)
RLF-02-04U	0.25-1.5	#6(3.7)	.283(7.2)	.248(6.3)	.630(16.0)	.197(5.0)	.134(3.4)	.067(1.7)
RLF-02-05U	0.25-1.5	#8(4.3)	.252(6.4)	.248(6.3)	.614(15.6)	.197(5.0)	.134(3.4)	.067(1.7)
RLF-02-06U	0.25-1.5	#8(4.3)	.283(7.2)	.248(6.3)	.630(16.0)	.197(5.0)	.134(3.4)	.067(1.7)
RLF-02-07U	0.25-1.5	#8(4.3)	.315(8.0)	.276(7.0)	.630(16.0)	.197(5.0)	.134(3.4)	.067(1.7)
RLF-02-08U	0.25-1.5	#10(5.3)	.315(8.0)	.276(7.0)	.630(16.0)	.197(5.0)	.134(3.4)	.067(1.7)
RLF-01-01U	0.25-1.5	#10(5.3)	.374(9.5)	.276(7.0)	.630(16.0)	.197(5.0)	.134(3.4)	.067(1.7)
RLF-01-02U	0.25-1.5	1/4(6.5)	.374(9.5)	.276(7.0)	.630(16.0)	.197(5.0)	.134(3.4)	.067(1.7)
RLF-01-03U	0.25-1.5	1/4(6.5)	.472(12.0)	.433(11.0)	.874(22.2)	.197(5.0)	.134(3.4)	.067(1.7)
RLF-01-04U	0.25-1.5	5/16(8.4)	.472(12.0)	.433(11.0)	.874(22.2)	.197(5.0)	.134(3.4)	.067(1.7)
RLF-01-05U	2.5	#4(3.2)	.197(5.0)	.248(6.3)	.630(16.0)	.197(5.0)	.161(4.1)	.091(2.3)
RLF-01-06U	2.5	#4(3.2)	.228(5.8)	.248(6.3)	.630(16.0)	.197(5.0)	.161(4.1)	.091(2.3)
RLF-04-01U	2.5	#6(3.7)	.228(5.8)	.248(6.3)	.630(16.0)	.197(5.0)	.161(4.1)	.091(2.3)
RLF-04-02U	2.5	#6(3.7)	.252(6.4)	.248(6.3)	.630(16.0)	.197(5.0)	.161(4.1)	.091(2.3)
RLF-04-03U	2.5	#6(3.7)	.283(7.2)	.256(6.5)	.638(16.2)	.197(5.0)	.161(4.1)	.091(2.3)
RLF-04-04U	2.5	#8(4.3)	.252(6.4)	.248(6.3)	.630(16.0)	.197(5.0)	.161(4.1)	.091(2.3)
RLF-04-05U	2.5	#8(4.3)	.283(7.2)	.256(6.5)	.638(16.2)	.197(5.0)	.161(4.1)	.091(2.3)
RLF-04-06U	2.5	#8(4.3)	.335(8.5)	.287(7.3)	.669(17.0)	.197(5.0)	.161(4.1)	.091(2.3)
RLF-05-01U	2.5	#10(5.3)	.335(8.5)	.287(7.3)	.669(17.0)	.197(5.0)	.161(4.1)	.091(2.3)
RLF-05-02U	2.5	#10(5.3)	.374(9.5)	.287(7.3)	.669(17.0)	.197(5.0)	.161(4.1)	.091(2.3)
RLF-05-03U	2.5	1/4(6.5)	.374(9.5)	.287(7.3)	.669(17.0)	.197(5.0)	.161(4.1)	.091(2.3)
RLF-05-04U	2.5	1/4(6.5)	.472(12.0)	.433(11.0)	.874(22.2)	.197(5.0)	.161(4.1)	.091(2.3)
RLF-05-05U	2.5	5/16(8.4)	.472(12.0)	.433(11.0)	.874(22.2)	.197(5.0)	.161(4.1)	.091(2.3)
RLF-10-01U	4	#6(3.7)	.315(8.0)	.276(7.0)	.720(18.3)	.236(6.0)	.197(5.0)	.110(2.8)
RLF-10-02U	4	#8(4.3)	.315(8.0)	.276(7.0)	.720(18.3)	.236(6.0)	.197(5.0)	.110(2.8)
RLF-10-03U	4	#10(5.3)	.315(8.0)	.276(7.0)	.720(18.3)	.236(6.0)	.197(5.0)	.110(2.8)
RLF-10-04U	4	1/4(6.5)	.472(12.0)	.358(9.1)	.84(20-1.5)	.236(6.0)	.197(5.0)	.110(2.8)
RLF-06-01U	4-6	#6(3.7)	.315(8.0)	.276(7.0)	.720(18.3)	.236(6.0)	.197(5.0)	.110(2.8)
RLF-06-02U	4-6	#6(3.7)	.283(7.2)	.295(7.5)	.736(18.7)	.236(6.0)	.220(5.6)	.134(3.4)
RLF-07-01U	4-6	#6(3.7)	.335(8.5)	.295(7.5)	.736(18.7)	.236(6.0)	.220(5.6)	.134(3.4)
RLF-07-02U	4-6	#8(4.3)	.335(8.5)	.295(7.5)	.736(18.7)	.236(6.0)	.220(5.6)	.134(3.4)
RLF-07-03U	4-6	#8(4.3)	.374(9.5)	.295(7.5)	.736(18.7)	.236(6.0)	.220(5.6)	.134(3.4)
RLF-07-04U	4-6	#10(5.3)	.374(9.5)	.295(7.5)	.736(18.7)	.236(6.0)	.220(5.6)	.134(3.4)
RLF-07-05U	4-6	1/4(6.5)	.374(9.5)	.295(7.5)	.736(18.7)	.236(6.0)	.220(5.6)	.134(3.4)
RLF-07-06U	4-6	1/4(6.5)	.472(12.0)	.472(12.0)	.972(24.7)	.236(6.0)	.220(5.6)	.134(3.4)
RLF-07-07U	4-6	5/16(8.4)	.531(13.5)	.413(10.5)	.925(23.5)	.236(6.0)	.220(5.6)	.134(3.4)
RLF-08-01U	10	#8(4.3)	.323(8.2)	.319(8.1)	.807(20.5)	.335(8.5)	.283(7.2)	.177(4.5)
RLF-08-02U	10	#10(5.3)	.354(9.0)	.319(8.1)	.807(20.5)	.335(8.5)	.283(7.2)	.177(4.5)
RLF-08-03U	10	1/4(6.5)	.425(10.8)	.339(8.6)	.886(22.5)	.335(8.5)	.283(7.2)	.177(4.5)

Technical Data :
Insulated Ends - Bootless DIN 46228/4
 For Copper Conductor, Conductor Range 0.5 - 150 Sq mm



Characteristics

- Maximum Temperature : 105 °C)
- Insulation Material : Nylon

Material

- High Conductivity Copper

Finish

- Electro Tin Plated

Catalogue Code	Nominal Cross Section Sq mm	Dimension inch (mm)				Colour code		
		F	L	C	W	FRENCH	GERMAN	DIN
RLBI 0.5X8	0.5	.315 (8.5)	.551 (14.0)	.039 (1.0)	.102 (2.6)	WHITE	ORANGE	WHITE
RLBI 0.5X10	0.5	.394 (10.0)	.630 (16.0)	.039 (1.0)	.102 (2.6)			
RLBI 0.75X8	0.75	.315 (8.5)	.551 (14.0)	.047 (1.2)	.110 (2.8)	BLUE	WHITE	GREY
RLBI 0.75X10	0.75	.394 (10.0)	.630 (16.0)	.047 (1.2)	.110 (2.8)			
RLBI 0.75X12	0.75	.472 (12.0)	.709 (18.0)	.047 (1.2)	.110 (2.8)	RED	YELLOW	RED
RLBI 01X6	1	.236 (6.0)	.472 (12.0)	.055 (1.4)	.118 (3.0)			
RLBI 01X8	1	.315 (8.0)	.551 (14.0)	.055 (1.4)	.118 (3.0)			
RLBI 01X10	1	.394 (10.0)	.630 (16.0)	.055 (1.4)	.118 (3.0)			
RLBI 01X12	1	.472 (12.0)	.709 (18.0)	.055 (1.4)	.118 (3.0)	BLACK	RED	BLACK
RLBI 01.5X8	1.5	.315 (8.0)	.551 (14.0)	.067 (1.7)	.138 (3.5)			
RLBI 01.5X10	1.5	.394 (10.0)	.630 (16.0)	.067 (1.7)	.138 (3.5)			
RLBI 01.5X12	1.5	.472 (12.0)	.709 (18.0)	.067 (1.7)	.138 (3.5)	GREY	BLUE	BLUE
RLBI 01.5X18	1.5	.709 (18.0)	.945 (24.0)	.067 (1.7)	.138 (3.5)			
RLBI 02.5X8	2.5	.315 (8.0)	.551 (14.0)	.087 (2.2)	.165 (4.2)			
RLBI 02.5X10	2.5	.394 (10.0)	.630 (16.0)	.087 (2.2)	.165 (4.2)	ORANGE	GREY	GREY
RLBI 02.5X12	2.5	.472 (12.0)	.709 (18.0)	.087 (2.2)	.165 (4.2)			
RLBI 02.5X18	2.5	.709 (18.0)	.945 (24.0)	.087 (2.2)	.165 (4.2)			
RLBI 04X10	4	.374 (10.0)	.669 (17.0)	.110 (2.8)	.189 (4.8)	ORANGE	GREY	GREY
RLBI 04X12	4	.472 (12.0)	.787 (20.0)	.110 (2.8)	.189 (4.8)			
RLBI 04X18	4	.709 (18.0)	1.024 (26.0)	.110 (2.8)	.189 (4.8)	GREEN	BLACK	YELLOW
RLBI 06X12	6	.472 (12.0)	.787 (20.0)	.138 (3.5)	.248 (6.3)			
RLBI 06X18	6	.709 (18.0)	1.024 (26.0)	.138 (3.5)	.248 (6.3)			

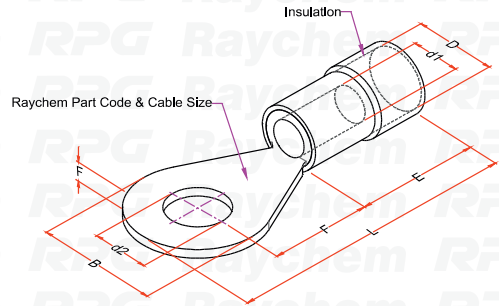
Continued...

Technical Data :

RLBI Insulated Ends - Bootless DIN 46228/4 ...Continued

Catalogue Code	Nominal Cross Section Sq mm	Dimension inch (mm)				Colour code		
		F	L	C	W	FRENCH	GERMAN	DIN
RLBI 10X12	10	.472 (12.0)	.866 (22.0)	.177 (4.5)	.299 (7.6)	BROWN	IVORY	RED
RLBI 10X18	10	.709 (18.0)	1.102 (28.0)	.177 (4.5)	.299 (7.6)			
RLBI 16X12	16	.472 (12.0)	.945 (24.0)	.228 (5.8)	.346 (8.8)	IVORY	GREEN	BLUE
RLBI 16X18	16	.709 (18.0)	1.102 (28.0)	.228 (5.8)	.346 (8.8)			
RLBI 25X16	25	.630 (16.0)	.630(16.0)	.287 (7.3)	.441 (11.2)	BLACK	BROWN	YELLOW
RLBI 25X22	25	.866 (22.00)	1.417 (36.0)	.287 (7.3)	.441 (11.2)			
RLBI 35X16	25	.630 (16.0)	1.181 (30.0)	.327 (8.3)	.500 (12.7)	RED	BEIGE	RED
RLBI 35X18	35	.709 (18.0)	1.260 (32.0)	.327 (8.3)	.500 (12.7)			
RLBI 35X25	35	.984 (25.0)	1.535 (39.0)	.327 (8.3)	.500 (12.7)	BLUE	OLIVE	BLUE
RLBI 50X20	35	.787 (20.0)	1.417 (36.0)	.406 (10.3)	.591 (15.0)			
RLBI 50X25	35	.984 (25.0)	1.575 (40.0)	.406 (10.3)	.591 (15.0)	YELLOW	YELLOW	YELLOW
RLBI 70X21	70	.827 (21.0)	1.457 (37.0)	.531 (13.5)	.630 (16.0)			
RLBI 95X25	95	.984 (25.0)	1.732 (44.0)	.579 (14.7)	.709 (18.0)	RED	RED	RED
RLBI 120X27	120	1.063(27.0)	1.890 (48.0)	.657 (16.7)	.787 (20.0)	BLUE	BLUE	BLUE
RLBI 150X32	150	1.260 (32.0)	2.283 (58.0)	.768 (19.5)	.906 (23.0)	YELLOW	YELLOW	YELLOW

Technical Data :
Insulated Terminals - Ring Type
 For Copper Conductor, Conductor Range 0.25 - 6 Sq mm



Characteristics

- Maximum Electrical rating : 600 Volt
- Maximum Temperature : 105 °C)
- Insulation Material : PVC or Nylon

Add Suffix

- P – PVC Insulation
- N – Nylon Insulation

Material

- High Conductivity Copper

Finish

- Electro Tin Plated

Catalogue Code	Nominal Cross Section Sq mm	Dimension inch (mm)							Colour code
		Stud Size d2	B	F	L	E	D	d1	
RLRI - 001U	0.25 - 1.5	#2 (2.2)	.260(6.6)	.811(20.6)	.248(6.3)	.433(11.0)	.161(4.1)	.067(1.7)	Red
RLRI - 003U	0.25 - 1.5	#4(3.2)	.217(5.5)	.697(17.7)	.157(4.0)	.433(11.0)	.161(4.1)	.067(1.7)	
RLRI - 004 - 01U	0.25 - 1.5	#6(3.7)	.217(5.5)	.697(17.7)	.157(4.0)	.433(11.0)	.161(4.1)	.067(1.7)	
RLRI - 004 - 02U	0.25 - 1.5	#6(3.7)	.260(6.6)	.811(20.6)	.248(6.3)	.433(11.0)	.161(4.1)	.067(1.7)	
RLRI - 004 - 03U	0.25 - 1.5	#6(3.7)	.315(8.0)	.866(22.0)	.276(7.0)	.433(11.0)	.161(4.1)	.067(1.7)	
RLRI - 005 - 01U	0.25 - 1.5	#8(4.3)	.260(6.6)	.811(20.6)	.248(6.3)	.433(11.0)	.161(4.1)	.067(1.7)	
RLRI - 005 - 02U	0.25 - 1.5	#8(4.3)	.315(8.0)	.866(22.0)	.276(7.0)	.433(11.0)	.161(4.1)	.067(1.7)	
RLRI - 006U	0.25 - 1.5	#10(5.3)	.315(8.0)	.866(22.0)	.276(7.0)	.433(11.0)	.161(4.1)	.067(1.7)	
RLRI - 007 - 01U	0.25 - 1.5	1/4(6.5)	.457(11.6)	1.094(27.8)	.437(11.1)	.433(11.0)	.161(4.1)	.067(1.7)	
RLRI - 007 - 02U	0.25 - 1.5	5/16(8.4)	.457(11.6)	1.094(27.8)	.437(11.1)	.433(11.0)	.161(4.1)	.067(1.7)	
RLRI - 007 - 03U	0.25 - 1.5	3/8(10.5)	.535(13.6)	1.248(31.7)	.547(13.9)	.433(11.0)	.161(4.1)	.067(1.7)	
RLRI - 007 - 04U	0.25 - 1.5	1/2(13.0)	.756(19.2)	1.441(36.6)	.630(16.0)	.433(11.0)	.161(4.1)	.067(1.7)	
RLRI - 008 - 02U	2.5	#2 (2.2)	.252(6.4)	.728(18.5)	.169(4.3)	.433(11.0)	.177(4.5)	.091(2.3)	
RLRI - 009 - 01U	2.5	#4(3.2)	.252(6.4)	.728(18.5)	.169(4.3)	.433(11.0)	.177(4.5)	.091(2.3)	
RLRI - 009 - 02U	2.5	#6(3.7)	.252(6.4)	.728(18.5)	.169(4.3)	.433(11.0)	.177(4.5)	.091(2.3)	
RLRI - 009 - 03U	2.5	#6(3.7)	.260(6.6)	.807(20.5)	.248(6.3)	.433(11.0)	.177(4.5)	.091(2.3)	
RLRI - 010 - 01U	2.5	#6(3.7)	.335(8.5)	.906(23.0)	.307(7.8)	.433(11.0)	.177(4.5)	.091(2.3)	
RLRI - 010 - 02U	2.5	#8(4.3)	.260(6.6)	.809(20.5)	.248(6.3)	.433(11.0)	.177(4.5)	.091(2.3)	

Continued...

RLRI

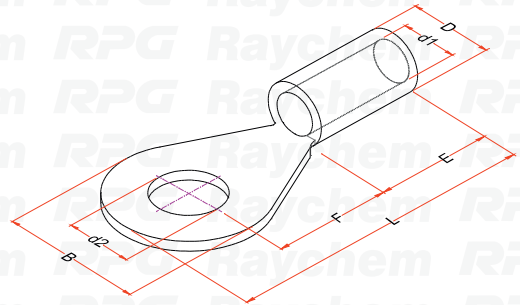
Technical Data :

RLBI Insulated Terminals - Ring Type ...Continued

Catalogue Code	Nominal Cross Section Sq mm	Dimension inch (mm)							Colour code
		Stud Size d2	B	F	L	E	D	d1	
RLRI - 011 - 01U	2.5	#8(4.3)	.335(8.5)	.906(23.0)	.307(7.8)	.433(11.0)	.177(4.5)	.091(2.3)	Blue
RLRI - 011 - 02U	2.5	#10(5.3)	.335(8.5)	.906(23.0)	.307(7.8)	.433(11.0)	.177(4.5)	.091(2.3)	
RLRI - 012U	2.5	#10(5.3)	.374(9.5)	.906(23.0)	.287(7.3)	.433(11.0)	.177(4.5)	.091(2.3)	
RLRI - 013U	2.5	1/4(6.5)	.472(12.0)	1.102(28.0)	.433(11.0)	.433(11.0)	.177(4.5)	.091(2.3)	
RLRI - 014*	2.5	5/16(8.4)	.472(12.0)	1.102(28.0)	.433(11.0)	.433(11.0)	.177(4.5)	.091(2.3)	
RLRI - 015U	2.5	3/8(10.5)	.535(13.6)	1.248(31.7)	.547(13.9)	.433(11.0)	.177(4.5)	.091(2.3)	
RLRI - 016 - 01*	2.5	1/2(13.0)	.756(19.2)	1.441(36.6)	.630(16.0)	.433(11.0)	.177(4.5)	.091(2.3)	
RLRI - 016 - 02*	4 - 6	#4(3.2)	.283(7.2)	.886(22.5)	.232(5.9)	.512(13.0)	.256(6.5)	.134(3.4)	Yellow
RLRI - 016 - 03U	4 - 6	#6(3.7)	.283(7.2)	.886(22.5)	.232(5.9)	.512(13.0)	.256(6.5)	.134(3.4)	
RLRI - 016 - 04U	4 - 6	#6(3.7)	.374(9.5)	1.024(26.0)	.327(8.3)	.512(13.0)	.256(6.5)	.134(3.4)	
RLRI - 017 - 01U	4 - 6	#8(4.3)	.283(7.2)	.886(22.5)	.232(5.9)	.512(13.0)	.256(6.5)	.134(3.4)	
RLRI - 017 - 02U	4 - 6	#8(4.3)	.374(9.5)	1.024(26.0)	.327(8.3)	.512(13.0)	.256(6.5)	.134(3.4)	
RLRI - 018U	4 - 6	#10(5.3)	.374(9.5)	1.024(26.0)	.327(8.3)	.512(13.0)	.256(6.5)	.134(3.4)	
RLRI - 019U	4 - 6	1/4(6.5)	.472(12.0)	1.61(29.5)	.413(10.5)	.512(13.0)	.256(6.5)	.134(3.4)	
RLRI - 020U	4 - 6	5/16(8.4)	.591(15.0)	1.346(34.2)	.539(13.7)	.512(13.0)	.256(6.5)	.134(3.4)	
RLRI - 021U	4 - 6	3/8(10.5)	.591(15.0)	1.346(34.2)	.539(13.7)	.512(13.0)	.256(6.5)	.134(3.4)	
RLRI - 022U	4 - 6	1/2(13.0)	.756(19.2)	1.520(38.6)	.630(16.0)	.512(13.0)	.256(6.5)	.134(3.4)	

Technical Data : Non-Insulated Terminals - Ring Type

For Copper Conductor, Conductor Range 0.25 - 300 Sq mm



Characteristics

- Maximum Electrical rating : 600 Volt
- Maximum Temperature : 105 °C)
- Insulation Material : PVC or Nylon

Material

- High Conductivity Copper

Finish

- Electro Tin Plated

Catalogue Code	Nominal Cross Section Sq mm	Dimension inch (mm)						
		Stud Size d2	B	F	L	E	D	d1
RLR - 001U	0.25-1.5	#(2.2)	.260(6.6)	.248(6.3)	.575(14.6)	.197(5.0)	.134(3.4)	.067(1.7)
RLR - 003U	0.25-1.5	#4(3.2)	.217(5.5)	.157(4.0)	.461(11.7)	.197(5.0)	.134(3.4)	.067(1.7)
RLR - 004 - 01U	0.25-1.5	#6(3.7)	.217(5.5)	.157(4.0)	.461(11.7)	.197(5.0)	.134(3.4)	.067(1.7)
RLR - 004 - 02U	0.25-1.5	#6(3.7)	.260(6.6)	.248(6.3)	.575(14.6)	.197(5.0)	.134(3.4)	.067(1.7)
RLR - 004 - 03U	0.25-1.5	#6(3.7)	.315(8.0)	.276(7.0)	.630(16.0)	.197(5.0)	.134(3.4)	.067(1.7)
RLR - 005 - 01U	0.25-1.5	#8(4.3)	.260(6.6)	.248(6.3)	.575(14.6)	.197(5.0)	.134(3.4)	.067(1.7)
RLR - 005 - 02U	0.25-1.5	#8(4.3)	.315(8.0)	.276(7.0)	.630(16.0)	.197(5.0)	.134(3.4)	.067(1.7)
RLR - 006U	0.25-1.5	#10(5.3)	.315(8.0)	.276(7.0)	.630(16.0)	.197(5.0)	.134(3.4)	.067(1.7)
RLR - 007 - 01U	0.25-1.5	1/4(6.5)	.457(11.6)	.437(11.1)	.858(21.8)	.197(5.0)	.134(3.4)	.067(1.7)
RLR - 007 - 02U	0.25-1.5	5/16(8.4)	.457(11.6)	.437(11.1)	.858(21.8)	.197(5.0)	.134(3.4)	.067(1.7)
RLR - 007 - 03*	0.25-1.5	3/8(10.5)	.535(13.6)	.547(13.9)	1.012(25.7)	.197(5.0)	.134(3.4)	.067(1.7)
RLR - 007 - 04*	0.25-1.5	1/2(13.0)	.756(19.2)	.630(16.0)	1.205(30.6)	.197(5.0)	.134(3.4)	.067(1.7)
RLR - 007 - 05U	2.5	#(2.2)	.252(6.4)	.169(4.3)	.492(12.5)	.197(5.0)	.161(4.1)	.091(2.3)
RLR - 008U	2.5	#4(3.2)	.252(6.4)	.169(4.3)	.492(12.5)	.197(5.0)	.161(4.1)	.091(2.3)
RLR - 009 - 01U	2.5	#6(3.7)	.252(6.4)	.169(4.3)	.492(12.5)	.197(5.0)	.161(4.1)	.091(2.3)
RLR - 009 - 02U	2.5	#6(3.7)	.260(6.6)	.248(6.3)	.571(14.5)	.197(5.0)	.161(4.1)	.091(2.3)
RLR - 009 - 03U	2.5	#6(3.7)	.335(8.5)	.307(7.8)	.669(17.0)	.197(5.0)	.161(4.1)	.091(2.3)
RLR - 009 - 04U	2.5	#8(4.3)	.260(6.6)	.248(6.3)	.571(14.5)	.197(5.0)	.161(4.1)	.091(2.3)
RLR - 010U	2.5	#8(4.3)	.335(8.5)	.307(7.8)	.669(17.0)	.197(5.0)	.161(4.1)	.091(2.3)
RLR - 011 - 01U	2.5	#10(5.3)	.335(8.5)	.307(7.8)	.669(17.0)	.197(5.0)	.161(4.1)	.091(2.3)
RLR - 011 - 02U	2.5	#10(5.3)	.374(9.5)	.287(7.3)	.669(17.0)	.197(5.0)	.161(4.1)	.091(2.3)
RLR - 012U	2.5	1/4(6.5)	.472(12.0)	.433(11.0)	.866(22.0)	.197(5.0)	.161(4.1)	.091(2.3)
RLR - 013U	2.5	5/16(8.4)	.472(12.0)	.433(11.0)	.866(22.0)	.197(5.0)	.161(4.1)	.091(2.3)
RLR - 015*	2.5	3/8(10.5)	.535(13.6)	.547(13.9)	1.012(25.7)	.197(5.0)	.161(4.1)	.091(2.3)

Continued...

Technical Data :

RLR Non-Insulated Terminals - Ring Type ...Continued

Catalogue Code	Nominal Cross Section Sq mm	Dimension inch (mm)						
		Stud Size d2	B	F	L	E	D	d1
RLR - 016 - 01*	2.5	1/2(13.0)	.756(19.2)	.630(16.0)	1.205(30.6)	.197(5.0)	.161(4.1)	.091(2.3)
RLR - 016 - 02U	4	#8(4.3)	.315(8.0)	.303(7.7)	.697(17.7)	.236(6.0)	.197(5.0)	.110(2.8)
RLR - 016 - 03U	4	#10(5.3)	.315(8.0)	.303(7.7)	.697(17.7)	.236(6.0)	.197(5.0)	.110(2.8)
RLR - 016 - 04U	4	#10(5.3)	.472(12.0)	.370(9.4)	.843(21.4)	.236(6.0)	.197(5.0)	.110(2.8)
RLR - 016 - 05U	4	1/4(6.5)	.472(12.0)	.370(9.4)	.843(21.4)	.236(6.0)	.197(5.0)	.110(2.8)
RLR - 016 - 06U	4-6	#4(3.2)	.283(7.2)	.232(5.9)	.610(15.5)	.236(6.0)	.220(5.6)	.134(3.4)
RLR - 016 - 07U	4-6	#6(3.7)	.283(7.2)	.232(5.9)	.610(15.5)	.236(6.0)	.220(5.6)	.134(3.4)
RLR - 016 - 08U	4-6	#6(3.7)	.374(9.5)	.327(8.3)	.748(19.0)	.236(6.0)	.220(5.6)	.134(3.4)
RLR - 016 - 09U	4-6	#8(4.3)	.283(7.2)	.232(5.9)	.610(15.5)	.236(6.0)	.220(5.6)	.134(3.4)
RLR - 017U	4-6	#8(4.3)	.374(9.5)	.327(8.3)	.748(19.0)	.236(6.0)	.220(5.6)	.134(3.4)
RLR - 018U	4-6	#10(5.3)	.374(9.5)	.327(8.3)	.748(19.0)	.236(6.0)	.220(5.6)	.134(3.4)
RLR - 019U	4-6	1/4(6.5)	.472(12.0)	.413(10.5)	.886(22.5)	.236(6.0)	.220(5.6)	.134(3.4)
RLR - 020U	4-6	5/16(8.4)	.591(15.0)	.539(13.7)	1.071(27.2)	.236(6.0)	.220(5.6)	.134(3.4)
RLR - 022 - 01*	4-6	3/8(10.5)	.591(15.0)	.539(13.7)	1.071(27.2)	.236(6.0)	.220(5.6)	.134(3.4)
RLR - 022 - 02*	4-6	1/2(13.0)	.756(19.2)	.630(16.0)	1.244(31.6)	.236(6.0)	.220(5.6)	.134(3.4)
RLR - 022 - 03*	10	#6(3.7)	.346(8.8)	.382(9.7)	.866(22.5)	.335(8.5)	.280(7.1)	.177(4.5)
RLR - 023 - 01*	10	#8(4.3)	.346(8.8)	.382(9.7)	.866(22.5)	.335(8.5)	.280(7.1)	.177(4.5)
RLR - 023 - 02U	10	#8(4.3)	.472(12.0)	.382(9.7)	.925(23.5)	.335(8.5)	.280(7.1)	.177(4.5)
RLR - 024 - 01*	10	#10(5.3)	.346(8.8)	.382(9.7)	.866(22.5)	.335(8.5)	.280(7.1)	.177(4.5)
RLR - 024 - 02U	10	#10(5.3)	.472(12.0)	.382(9.7)	.925(23.5)	.335(8.5)	.280(7.1)	.177(4.5)
RLR - 024 - 03U	10	#10(5.3)	.591(15.0)	.543(13.8)	1.161(29.5)	.335(8.5)	.280(7.1)	.177(4.5)
RLR - 025 - 01U	10	1/4(6.5)	.472(12.0)	.382(9.7)	.925(23.5)	.335(8.5)	.280(7.1)	.177(4.5)
RLR - 025 - 02U	10	1/4(6.5)	.591(15.0)	.543(13.8)	1.161(29.5)	.335(8.5)	.280(7.1)	.177(4.5)
RLR - 025 - 03U	10	5/16(8.4)	.591(15.0)	.543(13.8)	1.161(29.5)	.335(8.5)	.280(7.1)	.177(4.5)
RLR - 027U	10	3/8(10.5)	.591(15.0)	.543(13.8)	1.161(29.5)	.335(8.5)	.280(7.1)	.177(4.5)
RLR - 028 - 01U	10	1/2(13.0)	.787(20.0)	.591(15.0)	1.319(33.5)	.335(8.5)	.280(7.1)	.177(4.5)
RLR - 028 - 02U	10	9/16(15.0)	1.244(31.6)	1.008(25.6)	1.949(49.5)	.335(8.5)	.280(7.1)	.177(4.5)
RLR - 028 - 03U	10	5/8(17.0)	1.244(31.6)	1.008(25.6)	1.949(49.5)	.335(8.5)	.280(7.1)	.177(4.5)
RLR - 028 - 04U	10	11/16(19.0)	1.244(31.6)	1.008(25.6)	1.949(49.5)	.335(8.5)	.280(7.1)	.177(4.5)
RLR - 028 - 05U	10	3/4(21.0)	1.244(31.6)	1.008(25.6)	1.949(49.5)	.335(8.5)	.280(7.1)	.177(4.5)
RLR - 028 - 06U	16	#8(4.3)	.472(12.0)	.524(13.3)	1.150(29.2)	.413(10.5)	.354(9.0)	.228(5.8)
RLR - 028 - 07U	16	#10(5.3)	.472(12.0)	.524(13.3)	1.150(29.2)	.413(10.5)	.354(9.0)	.228(5.8)
RLR - 028 - 08U	16	1/4(6.5)	.472(12.0)	.524(13.3)	1.150(29.2)	.413(10.5)	.354(9.0)	.228(5.8)

Continued...

* Non-UL

Technical Data :

RLR Non-Insulated Terminals - Ring Type ...Continued

Catalogue Code	Nominal Cross Section Sq mm	Dimension inch (mm)						
		Stud Size d2	B	F	L	E	D	d1
RLR - 029U	16	1/4(6.5)	.630(16.0)	.559(14.2)	1.280(32.5)	.413(10.5)	.354(9.0)	.228(5.8)
RLR - 030U	16	5/16(8.4)	.630(16.0)	.559(14.2)	1.280(32.5)	.413(10.5)	.354(9.0)	.228(5.8)
RLR - 031U	16	3/8(10.5)	.630(16.0)	.559(14.2)	1.280(32.5)	.413(10.5)	.354(9.0)	.228(5.8)
RLR - 032 - 01U	16	1/2(13.0)	.866(22.0)	.780(19.8)	1.614(41.0)	.413(10.5)	.354(9.0)	.228(5.8)
RLR - 032 - 02U	16	9/16(15.0)	1.244(31.6)	.996(25.3)	2.008(51.0)	.413(10.5)	.354(9.0)	.228(5.8)
RLR - 032 - 03U	16	5/8(17.0)	1.244(31.6)	.996(25.3)	2.008(51.0)	.413(10.5)	.354(9.0)	.228(5.8)
RLR - 032 - 04U	16	11/16(19.0)	1.244(31.6)	.996(25.3)	2.008(51.0)	.413(10.5)	.354(9.0)	.228(5.8)
RLR - 032 - 05U	16	3/4(21.0)	1.244(31.6)	.996(25.3)	2.008(51.0)	.413(10.5)	.354(9.0)	.228(5.8)
RLR - 032 - 06U	25	#8(4.3)	.480(12.2)	.594(15.1)	1.280(32.5)	.472(12.0)	.453(11.5)	.303(7.7)
RLR - 032 - 07U	25	#10(5.3)	.480(12.2)	.594(15.1)	1.280(32.5)	.472(12.0)	.453(11.5)	.303(7.7)
RLR - 032 - 08U	25	#10(5.3)	.650(16.5)	.531(13.5)	1.291(32.8)	.472(12.0)	.453(11.5)	.303(7.7)
RLR - 032 - 09U	25	1/4(6.5)	.480(12.2)	.594(15.1)	1.280(32.5)	.472(12.0)	.453(11.5)	.303(7.7)
RLR - 033U	25	1/4(6.5)	.650(16.5)	.531(13.5)	1.291(32.8)	.472(12.0)	.453(11.5)	.303(7.7)
RLR - 034 - 01U	25	5/16(8.4)	.650(16.5)	.531(13.5)	1.291(32.8)	.472(12.0)	.453(11.5)	.303(7.7)
RLR - 034 - 02U	25	3/8(10.5)	.650(16.5)	.531(13.5)	1.291(32.8)	.472(12.0)	.453(11.5)	.303(7.7)
RLR - 035U	25	3/8(10.5)	.689(17.5)	.630(16.0)	1.445(36.7)	.472(12.0)	.453(11.5)	.303(7.7)
RLR - 036 - 01U	25	1/2(13.0)	.866(22.0)	.776(19.7)	1.673(42.5)	.472(12.0)	.453(11.5)	.303(7.7)
RLR - 036 - 02U	25	9/16(15.0)	1.181(30.0)	.953(24.2)	2.008(51.0)	.472(12.0)	.453(11.5)	.303(7.7)
RLR - 036 - 03U	25	5/8(17.0)	1.181(30.0)	.953(24.2)	2.008(51.0)	.472(12.0)	.453(11.5)	.303(7.7)
RLR - 036 - 04U	25	11/16(19.0)	1.181(30.0)	.953(24.2)	2.008(51.0)	.472(12.0)	.453(11.5)	.303(7.7)
RLR - 036 - 05U	25	3/4(21.0)	1.181(30.0)	.953(24.2)	2.008(51.0)	.472(12.0)	.453(11.5)	.303(7.7)
RLR - 036 - 06U	35	#10(5.3)	.602(15.3)	.685(17.4)	1.535(39.0)	.551(14.0)	.524(13.3)	.370(9.4)
RLR - 036 - 07U	35	1/4(6.5)	.602(15.3)	.685(17.4)	1.535(39.0)	.551(14.0)	.524(13.3)	.370(9.4)
RLR - 037U	35	1/4(6.5)	.866(22.0)	.697(17.7)	1.681(42.7)	.551(14.0)	.524(13.3)	.370(9.4)
RLR - 038 - 01U	35	5/16(8.4)	.602(15.3)	.685(17.4)	1.535(39.0)	.551(14.0)	.524(13.3)	.370(9.4)
RLR - 038 - 02U	35	5/16(8.4)	.866(22.0)	.697(17.7)	1.681(42.7)	.551(14.0)	.524(13.3)	.370(9.4)
RLR - 039 - 01U	35	3/8(10.5)	.602(15.3)	.685(17.4)	1.535(39.0)	.551(14.0)	.524(13.3)	.370(9.4)
RLR - 039 - 02U	35	3/8(10.5)	.866(22.0)	.697(17.7)	1.681(42.7)	.551(14.0)	.524(13.3)	.370(9.4)
RLR - 040 - 01U	35	1/2(13.0)	.866(22.0)	.697(17.7)	1.681(42.7)	.551(14.0)	.524(13.3)	.370(9.4)
RLR - 040 - 02U	35	9/16(15.0)	1.181(30.0)	.917(23.3)	2.047(52.0)	.551(14.0)	.524(13.3)	.370(9.4)
RLR - 040 - 03U	35	5/8(17.0)	1.181(30.0)	.917(23.3)	2.047(52.0)	.551(14.0)	.524(13.3)	.370(9.4)
RLR - 040 - 04U	35	11/16(19.0)	1.181(30.0)	.917(23.3)	2.047(52.0)	.551(14.0)	.524(13.3)	.370(9.4)
RLR - 040 - 05U	35	3/4(21.0)	1.181(30.0)	.917(23.3)	2.047(52.0)	.551(14.0)	.524(13.3)	.370(9.4)
RLR - 040 - 06U	50	1/4(6.5)	.866(22.0)	.815(20.7)	1.957(49.7)	.709(18.0)	.606(15.4)	.449(11.4)
RLR - 041U	50	5/16(8.4)	.866(22.0)	.815(20.7)	1.957(49.7)	.709(18.0)	.606(15.4)	.449(11.4)
RLR - 042U	50	3/8(10.5)	.866(22.0)	.815(20.7)	1.957(49.7)	.709(18.0)	.606(15.4)	.449(11.4)
RLR - 043 - 01U	50	1/2(13.0)	.866(22.0)	.815(20.7)	1.957(49.7)	.709(18.0)	.606(15.4)	.449(11.4)
RLR - 043 - 02U	50	9/16(15.0)	1.260(32.0)	.925(23.5)	2.264(57.5)	.709(18.0)	.606(15.4)	.449(11.4)
RLR - 044 - 01U	50	5/8(17.0)	1.260(32.0)	.925(23.5)	2.264(57.5)	.709(18.0)	.606(15.4)	.449(11.4)
RLR - 044 - 02U	50	11/16(19.0)	1.260(32.0)	.925(23.5)	2.264(57.5)	.709(18.0)	.606(15.4)	.449(11.4)
RLR - 044 - 03U	50	3/4(21.0)	1.260(32.0)	.925(23.5)	2.264(57.5)	.709(18.0)	.606(15.4)	.449(11.4)

Continued...

Technical Data :

RLR Non-Insulated Terminals - Ring Type ...Continued

Catalogue Code	Nominal Cross Section Sq mm	Dimension inch (mm)						
		Stud Size d2	B	F	L	E	D	d1
RLR - 044 - 04U	50	7/8(23.0)	1.260(32.0)	.925(23.5)	2.264(57.5)	.709(18.0)	.606(15.4)	.449(11.4)
RLR - 044 - 05U	70	1/4(6.5)	.945(24.0)	.787(20.0)	1.969(50.0)	.709(18.0)	.689(17.5)	.524(13.3)
RLR - 044 - 06U	70	5/16(8.4)	.945(24.0)	.787(20.0)	1.969(50.0)	.709(18.0)	.689(17.5)	.524(13.3)
RLR - 045U	70	3/8(10.5)	.945(24.0)	.787(20.0)	1.969(50.0)	.709(18.0)	.689(17.5)	.524(13.3)
RLR - 046 - 01U	70	1/2(13.0)	.945(24.0)	.787(20.0)	1.969(50.0)	.709(18.0)	.689(17.5)	.524(13.3)
RLR - 046 - 02U	70	9/16(15.0)	1.260(32.0)	1.024(26.0)	2.362(60.0)	.709(18.0)	.689(17.5)	.524(13.3)
RLR - 047 - 01U	70	5/8(17.0)	1.260(32.0)	1.024(26.0)	2.362(60.0)	.709(18.0)	.689(17.5)	.524(13.3)
RLR - 047 - 02U	70	11/16(19.0)	1.260(32.0)	1.024(26.0)	2.362(60.0)	.709(18.0)	.689(17.5)	.524(13.3)
RLR - 047 - 03U	70	3/4(21.0)	1.260(32.0)	1.024(26.0)	2.362(60.0)	.709(18.0)	.689(17.5)	.524(13.3)
RLR - 047 - 04U	70	7/8(23.0)	1.260(32.0)	1.024(26.0)	2.362(60.0)	.709(18.0)	.689(17.5)	.524(13.3)
RLR - 048 - 01U	95	1/4(6.5)	1.063(27.0)	.815(20.7)	2.134(54.2)	.787(20.0)	.768(19.5)	.571(14.5)
RLR - 048 - 02U	95	5/16(8.4)	1.063(27.0)	.815(20.7)	2.134(54.2)	.787(20.0)	.768(19.5)	.571(14.5)
RLR - 048U	95	3/8(10.5)	1.063(27.0)	.815(20.7)	2.134(54.2)	.787(20.0)	.768(19.5)	.571(14.5)
RLR - 049 - 01U	95	1/2(13.0)	1.063(27.0)	.815(20.7)	2.134(54.2)	.787(20.0)	.768(19.5)	.571(14.5)
RLR - 049 - 02U	95	9/16(15.0)	1.260(32.0)	1.260(32.0)	2.677(68.0)	.787(20.0)	.768(19.5)	.571(14.5)
RLR - 050 - 01U	95	5/8(17.0)	1.260(32.0)	1.260(32.0)	2.677(68.0)	.787(20.0)	.768(19.5)	.571(14.5)
RLR - 050 - 02U	95	11/16(19.0)	1.260(32.0)	1.260(32.0)	2.677(68.0)	.787(20.0)	.768(19.5)	.571(14.5)
RLR - 050 - 03U	95	3/4(21.0)	1.260(32.0)	1.260(32.0)	2.677(68.0)	.787(20.0)	.768(19.5)	.571(14.5)
RLR - 050 - 04U	95	7/8(23.0)	1.260(32.0)	1.260(32.0)	2.677(68.0)	.787(20.0)	.768(19.5)	.571(14.5)
RLR - 051 - 05U	120	1/4(6.5)	1.122(28.5)	.803(20.4)	2.189(55.6)	.827(21.0)	.870(22.1)	.646(16.4)
RLR - 051 - 06U	120	5/16(8.4)	1.122(28.5)	.803(20.4)	2.189(55.6)	.827(21.0)	.870(22.1)	.646(16.4)
RLR - 051 - 07U	120	3/8(10.5)	1.122(28.5)	.803(20.4)	2.189(55.6)	.827(21.0)	.870(22.1)	.646(16.4)
RLR - 051 - 01U	120	1/2(13.0)	1.122(28.5)	.803(20.4)	2.189(55.6)	.827(21.0)	.870(22.1)	.646(16.4)
RLR - 051 - 02U	120	9/16(15.0)	1.260(32.0)	1.260(32.0)	2.717(69.0)	.827(21.0)	.870(22.1)	.646(16.4)
RLR - 051 - 03U	120	5/8(17.0)	1.260(32.0)	1.260(32.0)	2.717(69.0)	.827(21.0)	.870(22.1)	.646(16.4)
RLR - 051 - 04U	120	11/16(19.0)	1.260(32.0)	1.260(32.0)	2.717(69.0)	.827(21.0)	.870(22.1)	.646(16.4)
RLR - 052 - 01U	120	3/4(21.0)	1.260(32.0)	1.260(32.0)	2.717(69.0)	.827(21.0)	.870(22.1)	.646(16.4)
RLR - 052 - 02U	120	7/8(23.0)	1.260(32.0)	1.260(32.0)	2.717(69.0)	.827(21.0)	.870(22.1)	.646(16.4)
RLR - 053 - 01U	150	5/16(8.4)	1.417(36.0)	.906(23.0)	2.598(66.0)	1.063(27.0)	1.047(26.6)	.768(19.5)
RLR - 053 - 02U	150	5/16(8.4)	1.417(36.0)	1.417(36.0)	3.189(81.0)	1.063(27.0)	1.047(26.6)	.768(19.5)
RLR - 053 - 03U	150	3/8(10.5)	1.417(36.0)	.906(23.0)	2.598(66.0)	1.063(27.0)	1.047(26.6)	.768(19.5)
RLR - 053 - 04U	150	3/8(10.5)	1.417(36.0)	1.417(36.0)	3.189(81.0)	1.063(27.0)	1.047(26.6)	.768(19.5)
RLR - 053 - 05U	150	1/2(13.0)	1.417(36.0)	.906(23.0)	2.598(66.0)	1.063(27.0)	1.047(26.6)	.768(19.5)
RLR - 053 - 06U	150	1/2(13.0)	1.417(36.0)	1.417(36.0)	3.189(81.0)	1.063(27.0)	1.047(26.6)	.768(19.5)
RLR - 053 - 07U	150	9/16(15.0)	1.417(36.0)	.906(23.0)	2.598(66.0)	1.063(27.0)	1.047(26.6)	.768(19.5)
RLR - 054 - 01U	150	5/8(17.0)	1.417(36.0)	.906(23.0)	2.598(66.0)	1.063(27.0)	1.047(26.6)	.768(19.5)
RLR - 054 - 02U	150	5/8(17.0)	1.417(36.0)	1.417(36.0)	3.189(81.0)	1.063(27.0)	1.047(26.6)	.768(19.5)
RLR - 054 - 03U	150	11/16(19.0)	1.417(36.0)	1.417(36.0)	3.189(81.0)	1.063(27.0)	1.047(26.6)	.768(19.5)
RLR - 054 - 04U	150	3/4(21.0)	1.417(36.0)	1.417(36.0)	3.189(81.0)	1.063(27.0)	1.047(26.6)	.768(19.5)
RLR - 054 - 05U	150	7/8(23.0)	1.417(36.0)	1.417(36.0)	3.189(81.0)	1.063(27.0)	1.047(26.6)	.768(19.5)
RLR - 054 - 06U	150	15/16(25.0)	1.417(36.0)	1.417(36.0)	3.189(81.0)	1.063(27.0)	1.047(26.6)	.768(19.5)

Continued...

* Non-UL

Technical Data :

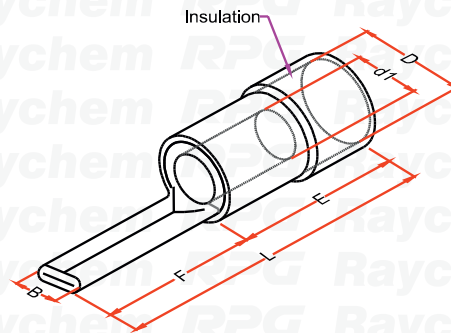
RLR Non-Insulated Terminals - Ring Type ...Continued

Catalogue Code	Nominal Cross Section Sq mm	Dimension inch (mm)						
		Stud Size d2	B	F	L	E	D	d1
RLR - 054 - 07U	150	1(28.0)	1.417(36.0)	1.417(36.0)	3.189(81.0)	1.063(27.0)	1.047(26.6)	.768(19.5)
RLR - 055 - 01U	185	5/16(8.4)	1.516(38.5)	.965(24.5)	2.717(69.0)	1.122(28.5)	1.126(28.6)	.827(21.0)
RLR - 055 - 02U	185	3/8(10.5)	1.516(38.5)	.965(24.5)	2.717(69.0)	1.122(28.5)	1.126(28.6)	.827(21.0)
RLR - 055 - 03U	185	1/2(13.0)	1.516(38.5)	.965(24.5)	2.717(69.0)	1.122(28.5)	1.126(28.6)	.827(21.0)
RLR - 055 - 04U	185	1/2(13.0)	1.516(38.5)	1.535(39.0)	3.409(86.6)	1.122(28.5)	1.126(28.6)	.827(21.0)
RLR - 055 - 05U	185	9/16(15.0)	1.516(38.5)	.965(24.5)	2.717(69.0)	1.122(28.5)	1.126(28.6)	.827(21.0)
RLR - 055 - 06U	185	5/8(17.0)	1.516(38.5)	.965(24.5)	2.717(69.0)	1.122(28.5)	1.126(28.6)	.827(21.0)
RLR - 055 - 07U	185	11/16(19.0)	1.516(38.5)	1.535(39.0)	3.409(86.6)	1.122(28.5)	1.126(28.6)	.827(21.0)
RLR - 055 - 08U	185	3/4(21.0)	1.516(38.5)	1.535(39.0)	3.409(86.6)	1.122(28.5)	1.126(28.6)	.827(21.0)
RLR - 055 - 09U	185	7/8(23.0)	1.516(38.5)	1.535(39.0)	3.409(86.6)	1.122(28.5)	1.126(28.6)	.827(21.0)
RLR - 055 - 10U	185	15/16(25.0)	1.516(38.5)	1.535(39.0)	3.409(86.6)	1.122(28.5)	1.126(28.6)	.827(21.0)
RLR - 055 - 11U	185	1(28.0)	1.516(38.5)	1.535(39.0)	3.409(86.6)	1.122(28.5)	1.126(28.6)	.827(21.0)
RLR - 056 - 01U	240	5/16(8.4)	1.732(44.0)	.965(24.5)	2.835(72.0)	1.240(31.5)	1.283(32.6)	.945(24.0)
RLR - 056 - 02U	240	5/16(8.4)	1.732(44.0)	1.476(37.5)	3.583(91.0)	1.240(31.5)	1.283(32.6)	.945(24.0)
RLR - 056 - 03U	240	3/8(10.5)	1.732(44.0)	.965(24.5)	2.835(72.0)	1.240(31.5)	1.283(32.6)	.945(24.0)
RLR - 056 - 04U	240	1/2(13.0)	1.732(44.0)	.965(24.5)	2.835(72.0)	1.240(31.5)	1.283(32.6)	.945(24.0)
RLR - 056 - 05U	240	1/2(13.0)	1.732(44.0)	1.476(37.5)	3.583(91.0)	1.240(31.5)	1.283(32.6)	.945(24.0)
RLR - 056 - 06U	240	9/16(15.0)	1.732(44.0)	.965(24.5)	2.835(72.0)	1.240(31.5)	1.283(32.6)	.945(24.0)
RLR - 056 - 07U	240	5/8(17.0)	1.732(44.0)	.965(24.5)	2.835(72.0)	1.240(31.5)	1.283(32.6)	.945(24.0)
RLR - 056 - 08U	240	5/8(17.0)	1.732(44.0)	1.476(37.5)	3.583(91.0)	1.240(31.5)	1.283(32.6)	.945(24.0)
RLR - 056 - 09U	240	11/16(19.0)	1.732(44.0)	1.476(37.5)	3.583(91.0)	1.240(31.5)	1.283(32.6)	.945(24.0)
RLR - 056 - 10U	240	3/4(21.0)	1.732(44.0)	1.476(37.5)	3.583(91.0)	1.240(31.5)	1.283(32.6)	.945(24.0)
RLR - 056 - 11U	240	7/8(23.0)	1.732(44.0)	1.476(37.5)	3.583(91.0)	1.240(31.5)	1.283(32.6)	.945(24.0)
RLR - 056 - 12U	240	15/16(25.0)	1.732(44.0)	1.476(37.5)	3.583(91.0)	1.240(31.5)	1.283(32.6)	.945(24.0)
RLR - 056 - 13U	240	1(28.0)	1.732(44.0)	1.476(37.5)	3.583(91.0)	1.240(31.5)	1.283(32.6)	.945(24.0)
RLR - 057 - 01U	300	5/16(8.4)	1.988(50.5)	1.319(33.5)	3.465(88.0)	1.398(35.5)	1.480(37.6)	1.102(28.0)
RLR - 057 - 02U	300	3/8(10.5)	1.988(50.5)	1.319(33.5)	3.465(88.0)	1.398(35.5)	1.480(37.6)	1.102(28.0)
RLR - 057 - 03U	300	1/2(13.0)	1.988(50.5)	1.319(33.5)	3.465(88.0)	1.398(35.5)	1.480(37.6)	1.102(28.0)
RLR - 057 - 04U	300	1/2(13.0)	1.988(50.5)	1.772(45.0)	4.161(105.7)	1.398(35.5)	1.480(37.6)	1.102(28.0)
RLR - 057 - 05U	300	9/16(15.0)	1.988(50.5)	1.319(33.5)	3.465(88.0)	1.398(35.5)	1.480(37.6)	1.102(28.0)
RLR - 057 - 06U	300	5/8(17.0)	1.988(50.5)	1.319(33.5)	3.465(88.0)	1.398(35.5)	1.480(37.6)	1.102(28.0)
RLR - 057 - 07U	300	5/8(17.0)	1.988(50.5)	1.772(45.0)	4.161(105.7)	1.398(35.5)	1.480(37.6)	1.102(28.0)
RLR - 057 - 08U	300	11/16(19.0)	1.988(50.5)	1.772(45.0)	4.161(105.7)	1.398(35.5)	1.480(37.6)	1.102(28.0)
RLR - 057 - 09U	300	3/4(21.0)	1.988(50.5)	1.772(45.0)	4.161(105.7)	1.398(35.5)	1.480(37.6)	1.102(28.0)
RLR - 057 - 10U	300	7/8(23.0)	1.988(50.5)	1.772(45.0)	4.161(105.7)	1.398(35.5)	1.480(37.6)	1.102(28.0)
RLR - 057 - 11U	300	15/16(25.0)	1.988(50.5)	1.772(45.0)	4.161(105.7)	1.398(35.5)	1.480(37.6)	1.102(28.0)
RLR - 057 - 12U	300	1(28.0)	1.988(50.5)	1.772(45.0)	4.161(105.7)	1.398(35.5)	1.480(37.6)	1.102(28.0)

Technical Data :

Insulated Terminals - Pin Type

For Copper Conductor, Conductor Range 0.25-6 Sq mm



Characteristics

- Maximum Electrical rating : 600 Volt
- Maximum Temperature : 75 °C
- Insulation Material : PVC or Nylon

Add Suffix

- P – PVC Insulation
- N – Nylon Insulation

Pin Cross section

- Pin Cross Section - Round

Material

- High Conductivity Copper

Finish

- Electro Tin Plated

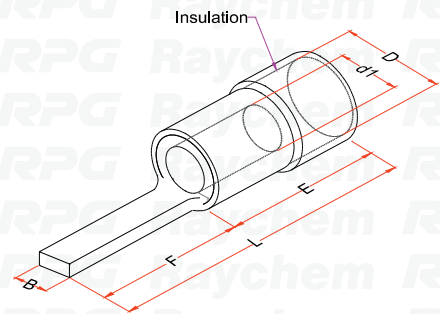
Catalogue Code	Nominal Cross Section Sq mm	Dimension inch (mm)						Colour code
		B	F	L	E	D	d1	
RLPI-01 I-01U	0.25-1.5	.075 (1.9)	.807 (20.5)	.374 (9.5)	.433 (11.0)	.161 (4.1)	.067 (1.7)	Red
RLPI-01 I-02U	0.25-1.5	.075 (1.9)	.846 (21.5)	.413 (10.5)	.433 (11.0)	.161 (4.1)	.067 (1.7)	
RLPI-01 I-03U	0.25-1.5	.075 (1.9)	.925 (23.5)	.492 (12.5)	.433 (11.0)	.161 (4.1)	.067 (1.7)	
RLPI-01 I-04U	0.25-1.5	.075 (1.9)	.965 (24.5)	.531 (13.5)	.433 (11.0)	.161 (4.1)	.067 (1.7)	
RLPI-01 I-05U	0.25-1.5	.075 (1.9)	1.161 (29.5)	.728 (18.5)	.433 (11.0)	.161 (4.1)	.067 (1.7)	
RLPI-02 I-01U	2.5	.075 (1.9)	.807 (20.5)	.374 (9.5)	.433 (11.0)	.177 (4.5)	.091 (2.3)	Blue
RLPI-02 I-02U	2.5	.075 (1.9)	.846 (21.5)	.413 (10.5)	.433 (11.0)	.177 (4.5)	.091 (2.3)	
RLPI-02 I-03U	2.5	.075 (1.9)	.925 (23.5)	.492 (12.5)	.433 (11.0)	.177 (4.5)	.091 (2.3)	
RLPI-02 I-04U	2.5	.075 (1.9)	.965 (24.5)	.531 (13.5)	.433 (11.0)	.177 (4.5)	.091 (2.3)	
RLPI-02 I-05U	2.5	.075 (1.9)	1.161 (29.5)	.728 (18.5)	.433 (11.0)	.177 (4.5)	.091 (2.3)	
RLPI-03 IU	4-6	.110 (2.8)	1.051 (26.5)	.539 (13.7)	.512 (13.0)	.256 (6.5)	.134 (3.4)	Yellow

RLPI-II

Technical Data :

Insulated Terminals - Blade Type

For Copper Conductor, Conductor Range 0.25-6 Sq mm



Characteristics

- Maximum Electrical rating : 600 Volt
- Maximum Temperature : 105 °C
- Insulation Material : PVC or Nylon

Add Suffix

- P – PVC Insulation
- N – Nylon Insulation

Pin Cross section

- Pin Cross Section - Flat

Material

- High Conductivity Copper

Finish

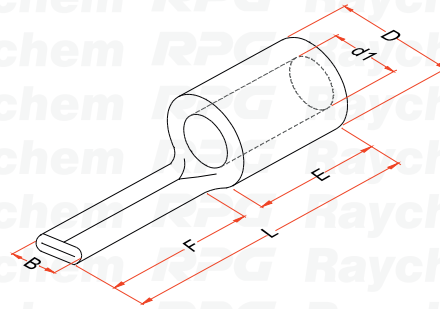
- Electro Tin Plated

Catalogue Code	Nominal Cross Section Sq mm	Dimension inch (mm)						Colour code
		B	F	L	E	D	d1	
RLPI - 01 II - 01U	0.25 - 1.5	.094 (2.4)	.854 (21.7)	.421 (10.7)	0.433 (11.0)	.161 (4.1 0)	.067 (1.7)	Red
RLPI - 01 II - 02U	0.25 - 1.5	.118 (3.0)	.866 (22.0)	.433 (11.0)	0.433 (11.1)	.161 (4.1 1)	.067 (1.7)	
RLPI - 01 II - 03U	0.25 - 1.5	.118 (3.0)	.984 (25.0)	.551 (14.0)	0.433 (11.2)	.161 (4.1 2)	.067 (1.7)	
RLPI - 01 II - 04U	0.25 - 1.5	.094 (2.4)	1.142 (29.0)	.709 (18.0)	0.433 (11.3)	.161 (4.1 3)	.067 (1.7)	
RLPI - 02 II - 01U	2.5	.110 (2.8)	.787 (20.0)	.354 (9.0)	0.433 (11.4)	.177 (4.5)	.091 (2.3)	Blue
RLPI - 02 II - 02U	2.5	.094 (2.4)	.854 (21.7)	.421 (10.7)	0.433 (11.5)	.177 (4.5)	.091 (2.3)	
RLPI - 02 II - 03U	2.5	.094 (2.4)	.945 (24.0)	.512 (13.0)	0.433 (11.6)	.177 (4.5)	.091 (2.3)	
RLPI - 02 II - 04U	2.5	.094 (2.4)	1.142 (29.0)	.709 (18.0)	0.433 (11.7)	.177 (4.5)	.091 (2.3)	
RLPI - 05 II - 01U	4-6	.110 (2.8)	.906 (23.0)	.394 (10.0)	.512 (13.0)	.256 (6.5)	.134 (3.4)	Yellow
RLPI - 05 II - 02P*	4-6	.177 (4.5)	1.063 (27.0)	.551 (14.0)	.512 (13.0)	.256 (6.5)	.134 (3.4)	
RLPI - 05 II - 03U	4-6	.118 (3.0)	1.220 (31.0)	.709 (18.0)	.512 (13.0)	.256 (6.5)	.134 (3.4)	

Technical Data :

Non-Insulated Terminals - Pin Type

For Copper Conductor, Conductor Range 0.25-6 Sq mm



Characteristics

- Maximum Electrical rating : 600 Volt
- Maximum Temperature : 75 °C

Pin Cross section

- Pin Cross Section - Round

Finish

- Electro Tin Plated

Material

- High Conductivity Copper

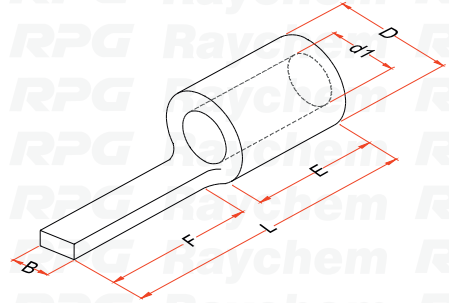
Catalogue Code	Nominal Cross Section Sq mm	Dimension inch (mm)					
		B	F	L	E	D	d1
RLP - 001 I - 01U	0.25-1.5	.075 (1.9)	.571 (14.5)	.374 (9.5)	.197 (5.0)	.134 (3.4)	.067 (1.7)
RLP - 001 I - 02U	0.25-1.5	.075 (1.9)	.610 (15.5)	.413 (10.0)	.197 (5.0)	.134 (3.4)	.067 (1.7)
RLP - 001 I - 03U	0.25-1.5	.075 (1.9)	.689 (17.5)	.492 (12.5)	.197 (5.0)	.134 (3.4)	.067 (1.7)
RLP - 001 I - 04U	0.25-1.5	.075 (1.9)	.728 (18.5)	.531 (13.5)	.197 (5.0)	.134 (3.4)	.067 (1.7)
RLP - 001 I - 05U	0.25-1.5	.075 (1.9)	.925 (23.5)	.728 (18.5)	.197 (5.0)	.134 (3.4)	.067 (1.7)
RLP - 001 I - 06U	2.5	.075 (1.9)	.571 (14.5)	.374 (9.5)	.197 (5.0)	.161 (4.1)	.091 (2.3)
RLP - 001 I - 07U	2.5	.075 (1.9)	.610 (15.5)	.413 (10.5)	.197 (5.0)	.161 (4.1)	.091 (2.3)
RLP - 002 I U	2.5	.075 (1.9)	.689 (17.5)	.492 (12.5)	.197 (5.0)	.161 (4.1)	.091 (2.3)
RLP - 003 I - 01U	2.5	.075 (1.9)	.728 (18.5)	.531 (13.5)	.197 (5.0)	.161 (4.1)	.091 (2.3)
RLP - 003 I - 02U	2.5	.075 (1.9)	.925 (23.5)	.728 (18.5)	.197 (5.0)	.161 (4.1)	.091 (2.3)
RLP - 004 IU	4-6	.110 (2.8)	.776 (19.7)	.539 (13.7)	.236 (6.0)	.220 (5.6)	.134 (3.4)

RLP-II

Technical Data :

Non-Insulated Terminals - Blade Type

For Copper Conductor, Conductor Range 0.25-6 Sq mm



Characteristics

- Maximum Electrical rating : 600 Volt
- Maximum Temperature : 105 °C

Pin Cross section

- Pin Cross Section - Flat

Finish

- Electro Tin Plated

Material

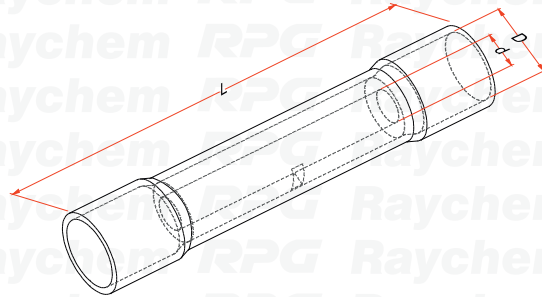
- High Conductivity Copper

Catalogue Code	Nominal Cross Section Sq mm	Dimension inch (mm)					
		B	F	L	E	D	d1
RLP - 001 II - 01U	0.25-1.5	.094 (2.4)	.618 (15.7)	.421 (10.7)	.197 (5.0)	.134 (3.4)	.067 (1.7)
RLP - 001 II - 02U	0.25-1.5	.118 (3.8)	.630 (16.0)	.433 (11.0)	.197 (5.0)	.134 (3.4)	.067 (1.7)
RLP - 001 II - 03U	0.25-1.5	.118 (3.8)	.748 (19.0)	.551 (14.0)	.197 (5.0)	.134 (3.4)	.067 (1.7)
RLP - 001 II - 04U	0.25-1.5	.094 (2.4)	.906 (23.0)	.709 (18.0)	.197 (5.0)	.134 (3.4)	.067 (1.7)
RLP - 001 II - 05U	0.25-1.5	.110 (2.8)	.551 (14.0)	.354 (9.0)	.197 (5.0)	.161 (4.1)	.091 (2.3)
RLP - 001 II - 06U	0.25-1.5	.094 (2.4)	.618 (15.7)	.421 (10.7)	.197 (5.0)	.161 (4.1)	.091 (2.3)
RLP - 002 II - 01U	2.5	.094 (2.4)	.709 (18.0)	.512 (13.0)	.197 (5.0)	.161 (4.1)	.091 (2.3)
RLP - 002 II - 02U	2.5	.094 (2.4)	.906 (23.0)	.709 (18.0)	.197 (5.0)	.161 (4.1)	.091 (2.3)
RLP - 005 II - 01U	4-6	.110 (2.8)	.630 (16.0)	.394 (10.0)	.236 (6.0)	.220 (5.6)	.134 (3.4)
RLP - 005 II - 02*	4-6	.177 (4.5)	.787 (20.0)	.551 (14.0)	.236 (6.0)	.220 (5.6)	.134 (3.4)
RLP - 005 II - 03U	4-6	.118 (3.0)	.945 (24.0)	.709 (18.0)	.236 (6.0)	.220 (5.6)	.134 (3.4)

Technical Data :

Insulated Terminals - PVC Insulated Butt Type Splices

For Copper Conductor, Conductor Range 0.15 - 10 Sq mm



Characteristics

- Maximum Electrical rating : 600 Volt
- Maximum Temperature : 75 °C
- Insulation Material : PVC

Material

- High Conductivity Copper

Finish

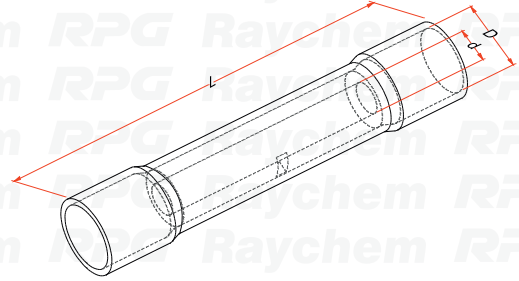
- Electro Tin Plated

Catalogue Code	Nominal Cross Section Sq mm	Dimension inch (mm)			Colour code
		L	d	D	
RLBC-01 UP	1.5	.984 (25.0)	.063 (1.6)	.161 (4.1)	Red
RLBC-02 UP	2.5	.984 (25.0)	.091 (2.3)	.177 (4.5)	Blue
RLBC-03 UP	4-6	1.024 (26.0)	.142 (3.6)	.256 (6.5)	Yellow
RLBC-04 P*	10	1.398 (35.5)	.177 (4.5)	.335 (8.5)	Red

Technical Data :

Insulated Terminals - Nylon Insulated Butt Type Splices

For Copper Conductor, Conductor Range 0.15 - 10 Sq mm



Characteristics

- Maximum Electrical rating : 600 Volt
- Maximum Temperature : 75°C
- Insulation Material : Nylon

Material

- High Conductivity Copper

Finish

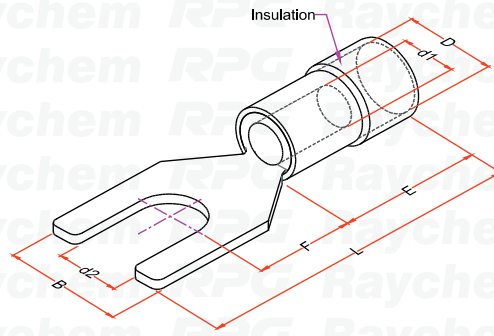
- Electro Tin Plated

Catalogue Code	Nominal Cross Section Sq mm	Dimension inch (mm)			Colour code
		L	d	D	
RLBC-01 N*	0.5	.787 (20.0)	.039 (1.0)	.091 (2.3)	Yellow
RLBC-02 UN	1.5	1.024 (26.0)	.063 (1.6)	.161 (4.1)	Red
RLBC-03 UN	2.5	1.024 (26.0)	.091 (2.3)	.189 (4.8)	Blue
RLBC-04 UN	4-6	1.102 (28.0)	.142 (3.6)	.256 (6.5)	Red

Technical Data :

PVC Insulated Terminals - DIN Fork Type

For Copper Conductor, Conductor Range 1.5 - 6 mm²



Characteristics

- Fork Terminals as Per Din 46237
- Maximum Electrical rating : 600 Volt
- Maximum Temperature : 105 °C
- Insulation Material : PVC

Material

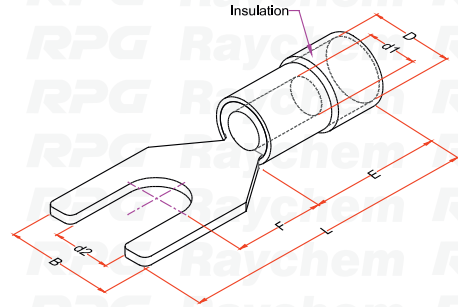
- High Conductivity Copper

Finish

- Electro Tin Plated

Catalogue Code	Nominal Cross Section Sq mm	Dimension inch (mm)							Colour code
		Stud Size d2	B	F	L	E	D	d1	
DRLFI-01 UP	1.5	#3 (2.7)	.236 (6.0)	.740 (18.8)	.630 (16.0)	.394 (10.0)	.161 (4.1)	.063 (1.6)	Red
DRLFI-02 UP	1.5	#4 (3.2)	.236 (6.0)	.740 (18.8)	.630 (16.0)	.394 (10.0)	.161 (4.1)	.063 (1.6)	
DRLFI-03 UP	1.5	#6 (3.7)	.236 (6.0)	.740 (18.8)	.630 (16.0)	.394 (10.0)	.161 (4.1)	.063 (1.6)	
DRLFI-04 UP	1.5	#8 (4.3)	.315 (8.0)	.819 (20.8)	.669 (17.0)	.394 (10.0)	.161 (4.1)	.063 (1.6)	
DRLFI-05 UP	1.5	#10 (5.3)	.394 (10.0)	.898 (22.8)	.709 (18.0)	.394 (10.0)	.161 (4.1)	.063 (1.6)	
DRLFI-06 UP	1.5	1/4 (6.5)	.433 (11.0)	.996 (25.3)	.787 (20.0)	.394 (10.0)	.161 (4.1)	.063 (1.6)	
DRLFI-07 UP	2.5	#4 (3.2)	.236 (6.0)	.740 (18.8)	.630 (16.0)	.394 (10.0)	.177 (4.5)	.091 (2.3)	Blue
DRLFI-08 UP	2.5	#6 (3.7)	.236 (6.0)	.740 (18.8)	.630 (16.0)	.394 (10.0)	.177 (4.5)	.091 (2.3)	
DRLFI-09 UP	2.5	#8 (4.3)	.315 (8.0)	.819 (20.8)	.669 (17.0)	.394 (10.0)	.177 (4.5)	.091 (2.3)	
DRLFI-10 UP	2.5	#10 (5.3)	.394 (10.0)	.937 (23.8)	.748 (19.0)	.394 (10.0)	.177 (4.5)	.091 (2.3)	
DRLFI-11 UP	2.5	1/4 (6.5)	.433 (11.0)	1.035 (26.3)	.827 (21.0)	.394 (10.0)	.177 (4.5)	.091 (2.3)	
DRLFI-12 UP	2.5	5/16 (8.4)	.551 (14.0)	1.134 (28.8)	.866 (22.0)	.394 (10.0)	.177 (4.5)	.091 (2.3)	
DRLFI-13 UP	4-6	#8 (4.3)	.315 (8.0)	.945 (24.0)	.807 (20.5)	.492 (12.5)	.256 (6.5)	.142 (3.6)	Yellow
DRLFI-14 UP	4-6	#10 (5.3)	.394 (10.0)	1.024 (26.0)	.846 (21.5)	.492 (12.5)	.256 (6.5)	.142 (3.6)	
DRLFI-15 UP	4-6	1/4 (6.5)	.433 (11.0)	1.083 (27.5)	.886 (22.5)	.492 (12.5)	.256 (6.5)	.142 (3.6)	
DRLFI-16 UP	4-6	5/16 (8.4)	.551 (14.0)	1.260 (32.0)	1.004 (25.5)	.492 (12.5)	.256 (6.5)	.142 (3.6)	

Technical Data : Nylon Insulated Terminals - DIN Fork Type For Copper Conductor, Conductor Range 0.5 - 6 mm²



Characteristics

- Fork Terminals as Per Din 46237
- Maximum Electrical rating : 600 Volt
- Maximum Temperature : 105 °C
- Insulation Material : Nylon

Material

- High Conductivity Copper

Finish

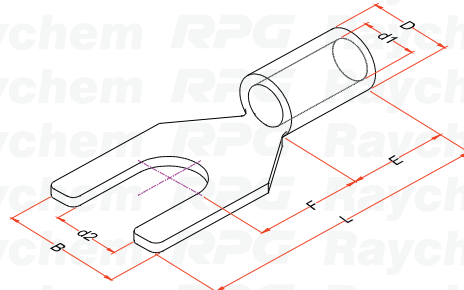
- Electro Tin Plated

Catalogue Code	Nominal Cross Section Sq mm ²	Stud Size d2	Dimension inch (mm)						Colour Code
			B	F	L	E	D	d1	
DRLFI-01 N*	0.5	#2 (2.2)	.197 (5.0)	.650 (16.5)	.551 (14.0)	.315 (8.0)	.094 (2.4)	.039 (1.0)	Red
DRLFI-02 N*	0.5	#3 (2.7)	.197 (5.0)	.650 (16.5)	.551 (14.0)	.315 (8.0)	.094 (2.4)	.039 (1.0)	
DRLFI-03 N*	0.5	#4 (3.2)	.197 (5.0)	.650 (16.5)	.551 (14.0)	.315 (8.0)	.094 (2.4)	.039 (1.0)	
DRLFI-04 N*	0.5	#6 (3.7)	.236 (6.0)	.748 (19.0)	.630 (16.0)	.315 (8.0)	.094 (2.4)	.039 (1.0)	
DRLFI-05 N*	0.5	#8 (4.3)	.256 (6.5)	.756 (19.2)	.630 (16.0)	.315 (8.0)	.094 (2.4)	.039 (1.0)	
DRLFI-06 N*	0.5	#10 (5.3)	.315 (8.5)	.787 (20.0)	.630 (16.0)	.315 (8.0)	.094 (2.4)	.039 (1.0)	
DRLFI-07 UN	1.5	#3 (2.7)	.236 (6.0)	.787 (20.0)	.669 (17.0)	.433 (11.0)	.161 (4.1)	.063 (1.6)	
DRLFI-08 UN	1.5	#4 (3.2)	.236 (6.0)	.787 (20.0)	.669 (17.0)	.433 (11.0)	.161 (4.1)	.063 (1.6)	
DRLFI-09 UN	1.5	#6 (3.7)	.236 (6.0)	.787 (20.0)	.669 (17.0)	.433 (11.0)	.161 (4.1)	.063 (1.6)	
DRLFI-10 UN	1.5	#8 (4.3)	.315 (8.5)	.866 (22.0)	.709 (18.0)	.433 (11.0)	.161 (4.1)	.063 (1.6)	
DRLFI-11 UN	1.5	#10 (5.3)	.394 (10.0)	.945 (24.0)	.748 (19.0)	.433 (11.0)	.161 (4.1)	.063 (1.6)	
DRLFI-12 UN	1.5	1/4 (6.5)	.433 (11.0)	1.043 (26.5)	.827 (21.0)	.433 (11.0)	.161 (4.1)	.063 (1.6)	
DRLFI-13 UN	2.5	#4 (3.2)	.236 (6.0)	.787 (20.0)	.669 (17.0)	.433 (11.0)	.177 (4.5)	.091 (2.3)	
DRLFI-14 UN	2.5	#6 (3.7)	.236 (6.0)	.787 (20.0)	.669 (17.0)	.433 (11.0)	.177 (4.5)	.091 (2.3)	
DRLFI-15 UN	2.5	#8 (4.3)	.315 (8.5)	.866 (22.0)	.709 (18.0)	.433 (11.0)	.177 (4.5)	.091 (2.3)	
DRLFI-16 UN	2.5	#10 (5.3)	.394 (10.0)	.984 (25.0)	.787 (20.0)	.433 (11.0)	.177 (4.5)	.091 (2.3)	
DRLFI-17 UN	2.5	1/4 (6.5)	.433 (11.0)	1.083 (27.0)	.866 (22.0)	.433 (11.0)	.177 (4.5)	.091 (2.3)	
DRLFI-18 UN	2.5	5/16 (8.4)	.551 (14.0)	1.181 (30.0)	.906 (23.0)	.433 (11.0)	.177 (4.5)	.091 (2.3)	
DRLFI-19 UN	4-6	#8 (4.3)	.315 (8.0)	.984 (25.0)	.827 (21.0)	.512 (13.0)	.256 (6.5)	.142 (3.6)	
DRLFI-20 UN	4-6	#10 (5.3)	.394 (10.0)	1.063 (27.0)	.866 (22.0)	.512 (13.0)	.256 (6.5)	.142 (3.6)	
DRLFI-21 UN	4-6	1/4 (6.5)	.433 (11.0)	1.122 (28.5)	.906 (23.0)	.512 (13.0)	.256 (6.5)	.142 (3.6)	
DRLFI-22 UN	4-6	5/16 (8.4)	.551 (14.0)	1.299 (26.0)	1.024 (26.0)	.512 (13.0)	.256 (6.5)	.142 (3.6)	
									Yellow

Technical Data :

Non-Insulated Terminals - DIN Fork Type

For Copper Conductor, Conductor Range 0.5 - 10 Sq mm



Characteristics

- Terminals as Per Din 46234
- Maximum Electrical rating : 600 Volt
- Maximum Temperature : 105 °C

Material

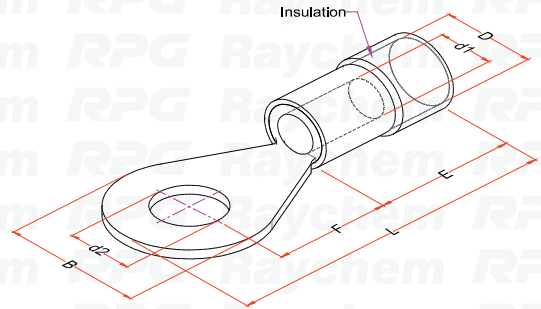
- High Conductivity Copper

Finish

- Electro Tin Plated

Catalogue Code	Nominal Cross Section Sq mm	Dimension inch (mm)						
		Stud Size d2	B	F	L	E	D	d1
DRLF-01 U	0.5	#2 (2.2)	.197 (5.0)	.492 (12.5)	.394 (10.0)	.157 (4.0)	.087 (2.2)	.039 (1.0)
DRLF-02 U	0.5	#3 (2.7)	.197 (5.0)	.492 (12.5)	.394 (10.0)	.157 (4.0)	.087 (2.2)	.039 (1.0)
DRLF-03 U	0.5	#4 (3.2)	.197 (5.0)	.492 (12.5)	.394 (10.0)	.157 (4.0)	.087 (2.2)	.039 (1.0)
DRLF-04 U	0.5	#6 (3.7)	.236 (6.0)	.591 (12.0)	.472 (12.0)	.157 (4.0)	.087 (2.2)	.039 (1.0)
DRLF-05 U	0.5	#8 (4.3)	.256 (6.5)	.598 (15.5)	.472 (12.0)	.157 (4.0)	.087 (2.2)	.039 (1.0)
DRLF-06 U	0.5	#10 (5.3)	.315 (8.0)	.630 (16.0)	.472 (12.0)	.157 (4.0)	.087 (2.2)	.039 (1.0)
DRLF-07 U	1.5	#3 (2.7)	.236 (6.0)	.543 (13.8)	.433 (11.0)	.197 (5.0)	.138 (3.5)	.063 (1.6)
DRLF-08 U	1.5	#4 (3.2)	.236 (6.0)	.543 (13.8)	.433 (11.0)	.197 (5.0)	.138 (3.5)	.063 (1.6)
DRLF-09 U	1.5	#6 (3.7)	.236 (6.0)	.543 (13.8)	.433 (11.0)	.197 (5.0)	.138 (3.5)	.063 (1.6)
DRLF-10 U	1.5	#8 (4.3)	.315 (8.0)	.622 (15.8)	.472 (12.0)	.197 (5.0)	.138 (3.5)	.063 (1.6)
DRLF-11 U	1.5	#10 (5.3)	.394 (10.0)	.701 (17.8)	.512 (13.0)	.197 (5.0)	.138 (3.5)	.063 (1.6)
DRLF-12 U	1.5	1/4 (6.5)	.433 (11.0)	.799 (20.3)	.591 (15.0)	.197 (5.0)	.138 (3.5)	.063 (1.6)
DRLF-13 U	2.5	#4 (3.2)	.236 (6.0)	.543 (13.8)	.433 (11.0)	.197 (5.0)	.161 (4.1)	.091 (2.3)
DRLF-14 U	2.5	#6 (3.7)	.236 (6.0)	.543 (13.8)	.433 (11.0)	.197 (5.0)	.161 (4.1)	.091 (2.3)
DRLF-15 U	2.5	#8 (4.3)	.315 (8.0)	.622 (15.8)	.472 (12.0)	.197 (5.0)	.161 (4.1)	.091 (2.3)
DRLF-16 U	2.5	#10 (5.3)	.394 (10.0)	.740 (18.8)	.551 (14.0)	.197 (5.0)	.161 (4.1)	.091 (2.3)
DRLF-17 U	2.5	1/4 (6.5)	.433 (11.0)	.839 (21.3)	.630 (16.0)	.197 (5.0)	.161 (4.1)	.091 (2.3)
DRLF-18 U	2.5	5/16 (8.4)	.551 (14.0)	.937 (23.8)	.669 (17.0)	.197 (5.0)	.161 (4.1)	.091 (2.3)
DRLF-19 U	4-6	#8 (4.3)	.315 (8.0)	.709 (18.0)	.551 (14.0)	.236 (6.0)	.228 (5.8)	.142 (3.6)
DRLF-20 U	4-6	#10 (5.3)	.394 (10.0)	.787 (20.0)	.630 (16.0)	.236 (6.0)	.228 (5.8)	.142 (3.6)
DRLF-21 U	4-6	1/4 (6.5)	.433 (11.0)	.846 (21.5)	.630 (16.0)	.236 (6.0)	.228 (5.8)	.142 (3.6)
DRLF-22 U	4-6	5/16 (8.4)	.551 (14.0)	1.024 (26.0)	.748 (19.0)	.236 (6.0)	.228 (5.8)	.142 (3.6)

Technical Data : PVC Insulated Terminals - DIN Ring Type For Copper Conductor, Conductor Range 1.5 - 6 Sq mm



Characteristics

- Ring Terminals as Per Din 46237
- Maximum Electrical rating : 600 Volt
- Maximum Temperature : 105 °C
- Insulation Material : PVC

Material

- High Conductivity Copper

Finish

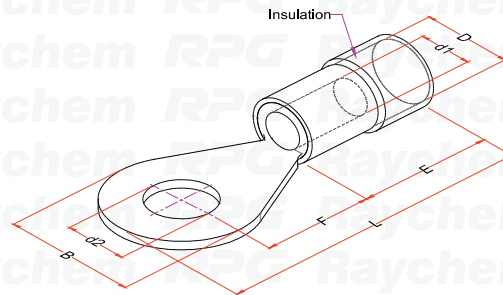
- Electro Tin Plated

Catalogue Code	Nominal Cross Section Sq mm	Dimension inch (mm)							Colour code
		Stud Size d2	B	F	L	E	D	d1	
DRLRI- 01 UP	1.5	#3 (2.7)	.236 (6.0)	.748 (19.0)	.630 (16.0)	.394 (10.0)	.161 (4.1)	.063 (1.6)	Red
DRLRI- 02 UP	1.5	#4 (3.2)	.236 (6.0)	.748 (19.0)	.630 (16.0)	.394 (10.0)	.161 (4.1)	.063 (1.6)	
DRLRI- 03 UP	1.5	#6 (3.7)	.236 (6.0)	.748 (19.0)	.630 (16.0)	.394 (10.0)	.161 (4.1)	.063 (1.6)	
DRLRI- 04 UP	1.5	#8 (4.3)	.315 (8.0)	.827 (21.0)	.669 (17.0)	.394 (10.0)	.161 (4.1)	.063 (1.6)	
DRLRI- 05 UP	1.5	#10 (5.3)	.394 (10.0)	.906 (23.0)	.709 (18.0)	.394 (10.0)	.161 (4.1)	.063 (1.6)	
DRLRI- 06 UP	1.5	1/4 (6.5)	.433 (11.0)	1.004 (25.5)	.787 (20.0)	.394 (10.0)	.161 (4.1)	.063 (1.6)	
DRLRI- 07 UP	1.5	5/ 16 (8.4)	.551 (14.0)	1.102 (28.0)	.827 (21.0)	.394 (10.0)	.161 (4.1)	.063 (1.6)	
DRLRI- 08 UP	1.5	3/8 (10.5)	.709 (18.0)	1.260 (32.0)	.906 (23.0)	.394 (10.0)	.161 (4.1)	.063 (1.6)	
DRLRI- 09 UP	2.5	#4 (3.2)	.236 (6.0)	.748 (19.0)	.630 (16.0)	.394 (10.0)	.177 (4.5)	.091 (2.3)	
DRLRI- 10 UP	2.5	#6 (3.7)	.236 (6.0)	.748 (19.0)	.630 (16.0)	.394 (10.0)	.177 (4.5)	.091 (2.3)	
DRLRI- 11 UP	2.5	#8 (4.3)	.315 (8.0)	.827 (21.0)	.669 (17.0)	.394 (10.0)	.177 (4.5)	.091 (2.3)	
DRLRI- 12 UP	2.5	# 10 (5.3)	.394 (10.0)	.945 (24.0)	.748 (19.0)	.394 (10.0)	.177 (4.5)	.091 (2.3)	
DRLRI- 13 UP	2.5	1/4 (6.5)	.433 (11.0)	1.043 (26.5)	.827 (21.0)	.394 (10.0)	.177 (4.5)	.091 (2.3)	
DRLRI- 14 UP	2.5	5/16 (8.4)	.551 (14.0)	1.142 (29.0)	.866 (22.0)	.394 (10.0)	.177 (4.5)	.091 (2.3)	
DRLRI- 15 UP	2.5	3/8 (10.5)	.709 (18.0)	1.260 (32.0)	.906 (23.0)	.394 (10.0)	.177 (4.5)	.091 (2.3)	
DRLRI- 16 UP	4-6	#8 (4.3)	.315 (8.0)	.965 (24.5)	.807 (20.5)	.492 (12.5)	.256 (6.5)	.142 (3.6)	
DRLRI- 17 UP	4-6	#10 (5.3)	.394 (10.0)	1.043 (26.5)	.846 (21.5)	.492 (12.5)	.256 (6.5)	.142 (3.6)	
DRLRI- 18 UP	4-6	1/4 (6.5)	.433 (11.0)	1.102 (28.0)	.886 (22.5)	.492 (12.5)	.256 (6.5)	.142 (3.6)	
DRLRI- 19 UP	4-6	5/16 (8.4)	.551 (14.0)	1.280 (32.5)	1.004 (25.5)	.492 (12.5)	.256 (6.5)	.142 (3.6)	
DRLRI- 20 UP	4-6	3/8 (10.5)	.709 (18.0)	1.437 (36.5)	1.083 (27.5)	.492 (12.5)	.256 (6.5)	.142 (3.6)	
DRLRI- 21 UP	4-6	1/2 (13.0)	.748 (19.0)	1.673 (42.5)	1.299 (33.0)	.492 (12.5)	.256 (6.5)	.142 (3.6)	

Technical Data :

Nylon Insulated Terminals - DIN Ring Type

For Copper Conductor, Conductor Range 1.5 - 6 Sq mm



Characteristics

- Ring Terminals as Per Din 46237
- Maximum Electrical rating : 600 Volt
- Maximum Temperature : 105 °C
- Insulation Material : Nylon

Material

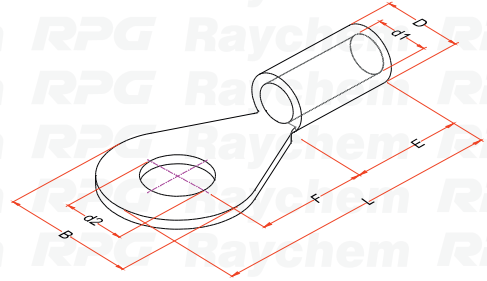
- High Conductivity Copper

Finish

- Electro Tin Plated

Catalogue Code	Nominal Cross Section Sq mm	Dimension inch (mm)							Colour Code
		Stud Size d2	B	F	L	E	D	d1	
DRLRI -01 N*	0.5	#2 (2.2)	.197 (5.0)	.650 (16.5)	.551 (14.0)	.315 (8.0)	.094 (2.4)	.039 (1.0)	Red
DRLRI -02 N*	0.5	#3 (2.7)	.197 (5.0)	.650 (16.5)	.551 (14.0)	.315 (8.0)	.094 (2.4)	.039 (1.0)	
DRLRI -03 N*	0.5	#4 (3.2)	.197 (5.0)	.650 (16.5)	.551 (14.0)	.315 (8.0)	.094 (2.4)	.039 (1.0)	
DRLRI -04 N*	0.5	#6 (3.7)	.236 (6.0)	.748 (19.0)	.630 (16.0)	.315 (8.0)	.094 (2.4)	.039 (1.0)	
DRLRI -05 N*	0.5	#8 (4.3)	.256 (6.5)	.756 (19.2)	.630 (16.0)	.315 (8.0)	.094 (2.4)	.039 (1.0)	
DRLRI -06 N*	0.5	#10 (5.3)	.315 (8.0)	.787 (20.0)	.630 (16.0)	.315 (8.0)	.094 (2.4)	.039 (1.0)	
DRLRI -07 UN	1.5	#3 (2.7)	.236 (6.0)	.787 (20.0)	.669 (17.0)	.433 (11.0)	.161 (4.1)	.063 (1.6)	
DRLRI -08 UN	1.5	#4 (3.2)	.236 (6.0)	.787 (20.0)	.669 (17.0)	.433 (11.0)	.161 (4.1)	.063 (1.6)	
DRLRI -09 UN	1.5	#6 (3.7)	.236 (6.0)	.787 (20.0)	.669 (17.0)	.433 (11.0)	.161 (4.1)	.063 (1.6)	
DRLRI -10 UN	1.5	#8 (4.3)	.315 (8.0)	.866 (22.0)	.709 (18.0)	.433 (11.0)	.161 (4.1)	.063 (1.6)	
DRLRI -11 UN	1.5	#10 (5.3)	.394 (10.0)	.945 (24.0)	.748 (19.0)	.433 (11.0)	.161 (4.1)	.063 (1.6)	
DRLRI -12 UN	1.5	1/4 (6.5)	.433 (11.0)	1.043 (26.5)	.827 (21.0)	.433 (11.0)	.161 (4.1)	.063 (1.6)	
DRLRI -13 UN	1.5	5/ 16 (8.4)	.551 (14.0)	1.142 (29.0)	.866 (22.0)	.433 (11.0)	.161 (4.1)	.063 (1.6)	
DRLRI -14 UN	1.5	3/8 (10.5)	.709 (18.0)	1.299 (33.0)	.945 (24.0)	.433 (11.0)	.161 (4.1)	.063 (1.6)	
DRLRI -15 UN	2.5	#4 (3.2)	.236 (6.0)	.787 (20.0)	.669 (17.0)	.433 (11.0)	.177 (4.5)	.091 (2.3)	
DRLRI -16 UN	2.5	#6 (3.7)	.236 (6.0)	.787 (20.0)	.669 (17.0)	.433 (11.0)	.177 (4.5)	.091 (2.3)	
DRLRI -17 UN	2.5	#8 (4.3)	.315 (8.0)	.866 (22.0)	.709 (18.0)	.433 (11.0)	.177 (4.5)	.091 (2.3)	
DRLRI -18 UN	2.5	#10 (5.3)	.394 (10.0)	.984 (25.0)	.787 (20.0)	.433 (11.0)	.177 (4.5)	.091 (2.3)	
DRLRI -19 UN	2.5	1/4 (6.5)	.433 (11.0)	1.083 (27.5)	.866 (22.0)	.433 (11.0)	.177 (4.5)	.091 (2.3)	
DRLRI -20 UN	2.5	5/ 16 (8.4)	.551 (14.0)	1.181 (30.0)	.906 (23.0)	.433 (11.0)	.177 (4.5)	.091 (2.3)	
DRLRI -21 UN	2.5	3/8 (10.5)	.709 (18.0)	1.299 (33.0)	.945 (24.0)	.433 (11.0)	.177 (4.5)	.091 (2.3)	
DRLRI -22 UN	4-6	#8 (4.3)	.315 (8.0)	.984 (25.0)	.827 (21.0)	.512 (13.0)	.256 (6.5)	.142 (3.6)	
DRLRI -23 UN	4-6	#10 (5.3)	.394 (10.0)	1.063 (27.0)	.866 (22.0)	.512 (13.0)	.256 (6.5)	.142 (3.6)	
DRLRI -24 UN	4-6	1/4 (6.5)	.433 (11.0)	1.122 (28.5)	.906 (23.0)	.512 (13.0)	.256 (6.5)	.142 (3.6)	
DRLRI -25 UN	4-6	5/16 (8.4)	.551 (14.0)	1.299 (33.0)	1.024 (26.0)	.512 (13.0)	.256 (6.5)	.142 (3.6)	
DRLRI -26 UN	4-6	3/8 (10.5)	.709 (18.0)	1.457 (37.0)	1.102 (28.0)	.512 (13.0)	.256 (6.5)	.142 (3.6)	
DRLRI -27 UN	4-6	1/2 (13.0)	.748 (19.0)	1.693 (43.0)	1.319 (33.5)	.512 (13.0)	.256 (6.5)	.142 (3.6)	

Technical Data :
Non-Insulated Terminals - DIN Ring Type
 For Copper Conductor, Conductor Range 0.5 - 240 Sq mm



Characteristics

- Ring Terminals as Per Din 46234
- Maximum Electrical rating : 600 Volt
- Maximum Temperature : 105 °C

Material

- High Conductivity Copper

Finish

- Electro Tin Plated

Catalogue Code	Nominal Cross Section Sq mm	Stud Size d2	Dimension inch (mm)					
			B	F	L	E	D	d1
DRLR-01 U	0.5	#2 (2.2)	.197 (5.0)	.492 (12.5)	.394 (10.0)	.157 (4.0)	.087 (2.2)	.039 (1.0)
DRLR-02 U	0.5	#3 (2.7)	.197 (5.0)	.492 (12.5)	.394 (10.0)	.157 (4.0)	.087 (2.2)	.039 (1.0)
DRLR-03 U	0.5	#4 (3.2)	.197 (5.0)	.492 (12.5)	.394 (10.0)	.157 (4.0)	.087 (2.2)	.039 (1.0)
DRLR-04 U	0.5	#6 (3.7)	.236 (6.0)	.591 (15.0)	.472 (12.0)	.157 (4.0)	.087 (2.2)	.039 (1.0)
DRLR-05 U	0.5	#8 (4.3)	.256 (6.5)	.598 (15.2)	.472 (12.0)	.157 (4.0)	.087 (2.2)	.039 (1.0)
DRLR-06 U	0.5	#10 (5.3)	.315 (8.0)	.630 (16.0)	.472 (12.0)	.157 (4.0)	.087 (2.2)	.039 (1.0)
DRLR-07 U	1.5	#3 (2.7)	.236 (6.0)	.551 (14.0)	.433 (11.0)	.197 (5.0)	.038 (3.5)	.063 (1.6)
DRLR-08 U	1.5	#4 (3.2)	.236 (6.0)	.551 (14.0)	.433 (11.0)	.197 (5.0)	.038 (3.5)	.063 (1.6)
DRLR-09 U	1.5	#6 (3.7)	.236 (6.0)	.551 (14.0)	.433 (11.0)	.197 (5.0)	.038 (3.5)	.063 (1.6)
DRLR-10 U	1.5	#8 (4.3)	.315 (8.0)	.630 (16.0)	.472 (12.0)	.197 (5.0)	.038 (3.5)	.063 (1.6)
DRLR-11 U	1.5	#10 (5.3)	.394 (10.0)	.709 (18.0)	.512 (13.0)	.197 (5.0)	.038 (3.5)	.063 (1.6)
DRLR-12 U	1.5	1/4 (6.5)	.433 (11.0)	.807 (20.5)	.591 (15.0)	.197 (5.0)	.038 (3.5)	.063 (1.6)
DRLR-13 U	1.5	5/16 (8.4)	.551 (14.0)	.906 (23.0)	.630 (16.0)	.197 (5.0)	.038 (3.5)	.063 (1.6)
DRLR-14 U	1.5	3/8 (10.5)	.709 (18.0)	1.063 (27.0)	.709 (18.0)	.197 (5.0)	.038 (3.5)	.063 (1.6)
DRLR-15 U	2.5	#4 (3.2)	.236 (6.0)	.551 (14.0)	.433 (11.0)	.197 (5.0)	.161 (4.1)	.091 (2.3)
DRLR-16 U	2.5	#6 (3.7)	.236 (6.0)	.551 (14.0)	.433 (11.0)	.197 (5.0)	.161 (4.1)	.091 (2.3)
DRLR-17 U	2.5	#8 (4.3)	.315 (8.0)	.630 (16.0)	.472 (12.0)	.197 (5.0)	.161 (4.1)	.091 (2.3)
DRLR-18 U	2.5	#10 (5.3)	.394 (10.0)	.748 (19.0)	.551 (14.0)	.197 (5.0)	.161 (4.1)	.091 (2.3)
DRLR-19 U	2.5	1/4 (6.5)	.433 (11.0)	.846 (21.5)	.630 (16.0)	.197 (5.0)	.161 (4.1)	.091 (2.3)
DRLR-20 U	2.5	5/16 (8.4)	.551 (14.0)	.945 (24.0)	.669 (17.0)	.197 (5.0)	.161 (4.1)	.091 (2.3)
DRLR-21 U	2.5	3/8 (10.5)	.709 (18.0)	1.063 (27.0)	.709 (18.0)	.197 (5.0)	.161 (4.1)	.091 (2.3)
DRLR-22 U	6	#8 (4.3)	.315 (8.0)	.709 (18.0)	.551 (14.0)	.236 (6.0)	.228 (5.8)	.142 (3.6)
DRLR-23 U	6	#10 (5.3)	.394 (10.0)	.787 (20.0)	.591 (15.0)	.236 (6.0)	.228 (5.8)	.142 (3.6)
DRLR-24 U	6	1/4 (6.5)	.433 (11.0)	.846 (21.5)	.630 (16.0)	.236 (6.0)	.228 (5.8)	.142 (3.6)
DRLR-25 U	6	5/16 (8.4)	.551 (14.0)	1.024 (26.0)	.748 (19.0)	.236 (6.0)	.228 (5.8)	.142 (3.6)
DRLR-26 U	6	3/8 (10.5)	.709 (18.0)	1.181 (30.0)	.827 (21.0)	.236 (6.0)	.228 (5.8)	.142 (3.6)

Continued...

Technical Data :

DRLR Non-Insulated Terminals - DIN Ring Type ...Continued

Catalogue Code	Nominal Cross Section Sq mm	Dimension inch (mm)						
		Stud Size d2	B	F	L	E	D	d1
DRLR-27 U	6	1/2 (13.0)	.748 (19.0)	1.417 (36.0)	1.043 (26.5)	.236 (6.0)	.228 (5.8)	.142 (3.6)
DRLR-28 U	10	#10 (5.3)	.394 (10.0)	.827 (21.0)	.630 (16.0)	.315 (8.0)	.276 (7.0)	.177 (4.5)
DRLR-29 U	10	1/4 (6.5)	.433 (11.0)	.886 (22.5)	.669 (17.0)	.315 (8.0)	.276 (7.0)	.177 (4.5)
DRLR-30 U	10	5/16 (8.4)	.551 (14.0)	1.063 (27.0)	.787 (20.0)	.315 (8.0)	.276 (7.0)	.177 (4.5)
DRLR-31 U	10	3/8 (10.5)	.709 (18.0)	1.181 (30.0)	.827 (21.0)	.315 (8.0)	.276 (7.0)	.177 (4.5)
DRLR-32 U	10	1/2 (13.0)	.866 (22.0)	1.339 (34.0)	.906 (23.0)	.315 (8.0)	.276 (7.0)	.177 (4.5)
DRLR-33 U	16	#10 (5.3)	.433 (11.0)	1.004 (25.5)	.787 (20.0)	.394 (10.0)	.335 (8.5)	.228 (5.8)
DRLR-34 U	16	1/4 (6.5)	.433 (11.0)	1.004 (25.5)	.787 (20.0)	.394 (10.0)	.335 (8.5)	.228 (5.8)
DRLR-35 U	16	5/16 (8.4)	.551 (14.0)	1.142 (29.0)	.866 (22.0)	.394 (10.0)	.335 (8.5)	.228 (5.8)
DRLR-36 U	16	3/8 (10.5)	.709 (18.0)	1.299 (33.0)	.945 (24.0)	.394 (10.0)	.335 (8.5)	.228 (5.8)
DRLR-37 U	16	1/2 (13.0)	.866 (22.0)	1.457 (37.0)	1.024 (26.0)	.394 (10.0)	.335 (8.5)	.228 (5.8)
DRLR-38 U	25	#10 (5.3)	.472 (12.0)	1.220 (31.0)	.984 (25.0)	.433 (11.0)	.425 (10.8)	.295 (7.5)
DRLR-39 U	25	1/4 (6.5)	.472 (12.0)	1.220 (31.0)	.984 (25.0)	.433 (11.0)	.425 (10.8)	.295 (7.5)
DRLR-40 U	25	5/16 (8.4)	.630 (16.0)	1.299 (33.0)	.984 (25.0)	.433 (11.0)	.425 (10.8)	.295 (7.5)
DRLR-41 U	25	3/8 (10.5)	.709 (18.0)	1.378 (35.0)	1.024 (26.0)	.433 (11.0)	.425 (10.8)	.295 (7.5)
DRLR-42 U	25	1/2 (13.0)	.866 (22.0)	1.654 (42.0)	1.220 (31.0)	.433 (11.0)	.425 (10.8)	.295 (7.5)
DRLR-43 U	25	5/8 (17.0)	1.102 (28.0)	1.929 (49.0)	1.378 (35.0)	.433 (11.0)	.425 (10.8)	.295 (7.5)
DRLR-44 U	35	1/4 (6.5)	.591 (15.0)	1.319 (33.5)	1.024 (26.0)	.472 (12.0)	.496 (12.6)	.354 (9.0)
DRLR-45 U	35	5/16 (8.4)	.630 (16.0)	1.339 (34.0)	1.024 (26.0)	.472 (12.0)	.496 (12.6)	.354 (9.0)
DRLR-46 U	35	3/8 (10.5)	.709 (18.0)	1.417 (36.0)	1.063 (27.0)	.472 (12.0)	.496 (12.6)	.354 (9.0)
DRLR-47 U	35	1/2 (13.0)	.866 (22.0)	1.654 (42.0)	1.220 (31.0)	.472 (12.0)	.496 (12.6)	.354 (9.0)
DRLR-48 U	35	5/8 (17.0)	1.102 (28.0)	1.969 (50.0)	1.417 (36.0)	.472 (12.0)	.496 (12.6)	.354 (9.0)
DRLR-49 U	50	1/4 (6.5)	.709 (18.0)	1.693 (43.0)	1.339 (34.0)	.630 (16.0)	.591 (15.0)	.433 (11.0)
DRLR-50 U	50	5/16 (8.4)	.709 (18.0)	1.693 (43.0)	1.339 (34.0)	.630 (16.0)	.591 (15.0)	.433 (11.0)
DRLR-51 U	50	3/8 (10.5)	.709 (18.0)	1.693 (43.0)	1.339 (34.0)	.630 (16.0)	.591 (15.0)	.433 (11.0)
DRLR-52 U	50	1/2 (13.0)	.866 (22.0)	1.850 (47.0)	1.417 (36.0)	.630 (16.0)	.591 (15.0)	.433 (11.0)
DRLR-53 U	50	5/8 (17.0)	1.102 (28.0)	2.126 (54.0)	1.575 (40.0)	.630 (16.0)	.591 (15.0)	.433 (11.0)
DRLR-54 U	70	1/4 (6.5)	.866 (22.0)	1.929 (49.0)	1.496 (38.0)	.709 (18.0)	.689 (17.5)	.512 (13.0)
DRLR-55 U	70	5/16 (8.4)	.866 (22.0)	1.929 (49.0)	1.496 (38.0)	.709 (18.0)	.689 (17.5)	.512 (13.0)
DRLR-56 U	70	3/8 (10.5)	.866 (22.0)	1.929 (49.0)	1.496 (38.0)	.709 (18.0)	.689 (17.5)	.512 (13.0)
DRLR-57 U	70	1/2 (13.0)	.866 (22.0)	1.929 (49.0)	1.496 (38.0)	.709 (18.0)	.689 (17.5)	.512 (13.0)
DRLR-58 U	70	5/8 (17.0)	1.102 (28.0)	2.205 (56.0)	1.654 (42.0)	.709 (18.0)	.689 (17.5)	.512 (13.0)
DRLR-59 U	95	5/16 (8.4)	.945 (24.0)	2.126 (54.0)	1.654 (42.0)	.787 (20.0)	.807 (20.5)	.591 (15.0)
DRLR-60 U	95	3/8 (10.5)	.945 (24.0)	2.126 (54.0)	1.654 (42.0)	.787 (20.0)	.807 (20.5)	.591 (15.0)
DRLR-61 U	95	1/2 (13.0)	.945 (24.0)	2.126 (54.0)	1.654 (42.0)	.787 (20.0)	.807 (20.5)	.591 (15.0)
DRLR-62 U	95	5/8 (17.0)	1.102 (28.0)	2.283 (58.0)	1.732 (44.0)	.787 (20.0)	.807 (20.5)	.591 (15.0)

Continued...

* Non-UL

Technical Data :

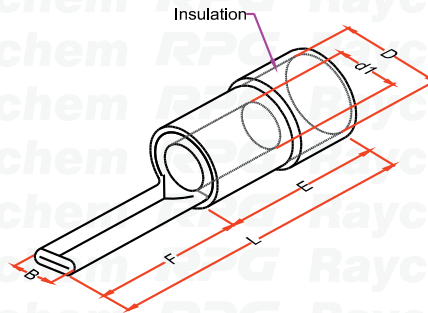
DRLR Non-Insulated Terminals - DIN Ring Type ...Continued

Catalogue Code	Nominal Cross Section Sq mm	Dimension inch (mm)						
		Stud Size d2	B	F	L	E	D	d1
DRLR-63 U	120	5/ 16 (8.4)	.945 (24.0)	2.205 (56.0)	1.732 (44.0)	.866 (22.0)	.906 (23.0)	.650 (16.5)
DRLR-64 U	120	3/8 (10.5)	.945 (24.0)	2.205 (56.0)	1.732 (44.0)	.866 (22.0)	.906 (23.0)	.650 (16.5)
DRLR-65 U	120	1/2 (13.0)	.945 (24.0)	2.205 (56.0)	1.732 (44.0)	.866 (22.0)	.906 (23.0)	.650 (16.5)
DRLR-66 U	120	5/8 (17.0)	1.102 (28.0)	2.441 (62.0)	1.890 (48.0)	.866 (22.0)	.906 (23.0)	.650 (16.5)
DRLR-67 U	150	3/8 (10.5)	1.181 (30.0)	2.559 (65.0)	1.969 (50.0)	.945 (24.0)	1.024 (26.0)	.748 (19.0)
DRLR-68 U	150	1/2 (13.0)	1.181 (30.0)	2.559 (65.0)	1.969 (50.0)	.945 (24.0)	1.024 (26.0)	.748 (19.0)
DRLR-69 U	150	5/8 (17.0)	1.181 (30.0)	2.559 (65.0)	1.969 (50.0)	.945 (24.0)	1.024 (26.0)	.748 (19.0)
DRLR-70 U	185	3/8 (10.5)	1.417 (36.0)	2.677 (68.0)	1.969 (50.0)	1.102 (28.0)	1.134 (28.8)	.827 (21.0)
DRLR-71 U	185	1/2 (13.0)	1.417 (36.0)	2.677 (68.0)	1.969 (50.0)	1.102 (28.0)	1.134 (28.8)	.827 (21.0)
DRLR-72 U	185	5/8 (17.0)	1.417 (36.0)	2.677 (68.0)	1.969 (50.0)	1.102 (28.0)	1.134 (28.8)	.827 (21.0)
DRLR-73 U	240	3/8 (10.5)	1.496 (38.0)	2.953 (75.0)	2.205 (56.0)	1.260 (32.0)	1.272 (32.3)	.925 (23.5)
DRLR-74 U	240	1/2 (13.0)	1.496 (38.0)	2.953 (75.0)	2.205 (56.0)	1.260 (32.0)	1.272 (32.3)	.925 (23.5)
DRLR-75 U	240	5/8 (17.0)	1.496 (38.0)	2.953 (75.0)	2.205 (56.0)	1.260 (32.0)	1.272 (32.3)	.925 (23.5)

Technical Data :

PVC Insulated Terminals - DIN Pin Type

For Copper Conductor, Conductor Range 1.5 - 6 Sq mm



Characteristics

- Pin Terminals as Per Din 46231
- Maximum Electrical rating : 600 Volt
- Maximum Temperature : 75 °C
- Insulation Material : PVC

Material

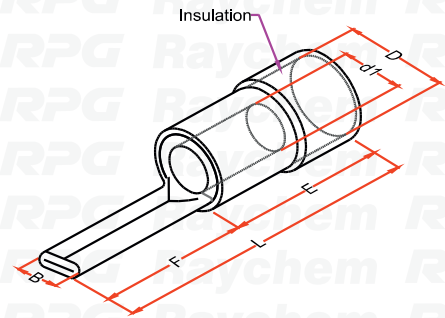
- High Conductivity Copper

Finish

- Electro Tin Plated

Catalogue Code	Nominal Cross Section mm ²	Dimension inch (mm)						Colour code
		B	F	L	E	D	d1	
DRLPI-01 UP	1.5	.075 (1.9)	.728 (18.5)	.236 (6.0)	.394 (10.0)	.161 (4.1)	.063 (1.6)	Red
DRLPI-02 UP	1.5	.075 (1.9)	.807 (20.5)	.315 (8.0)	.394 (10.0)	.161 (4.1)	.063 (1.6)	
DRLPI-03 UP	1.5	.075 (1.9)	.886 (22.5)	.394 (10.0)	.394 (10.0)	.161 (4.1)	.063 (1.6)	
DRLPI-04 UP	1.5	.075 (1.9)	.925 (23.5)	.433 (11.0)	.394 (10.0)	.161 (4.1)	.063 (1.6)	
DRLPI-05 UP	1.5	.075 (1.9)	1.083 (27.5)	.591 (15.0)	.394 (10.0)	.161 (4.1)	.063 (1.6)	Blue
DRLPI-06 UP	2.5	.075 (1.9)	.728 (18.5)	.236 (6.0)	.394 (10.0)	.177 (4.5)	.091 (2.3)	
DRLPI-07 UP	2.5	.075 (1.9)	.807 (20.5)	.315 (8.0)	.394 (10.0)	.177 (4.5)	.091 (2.3)	
DRLPI-08 UP	2.5	.075 (1.9)	.886 (22.5)	.394 (10.0)	.394 (10.0)	.177 (4.5)	.091 (2.3)	
DRLPI-09 UP	2.5	.075 (1.9)	.925 (23.5)	.433 (11.0)	.394 (10.0)	.177 (4.5)	.091 (2.3)	Yellow
DRLPI-10 UP	2.5	.075 (1.9)	1.083 (27.5)	.591 (15.0)	.394 (10.0)	.177 (4.5)	.091 (2.3)	
DRLPI-11 UP	4-6	.106 (2.7)	.906 (23.0)	.315 (8.0)	.492 (12.5)	.256 (6.5)	.142 (3.6)	
DRLPI-12 UP	4-6	.106 (2.7)	.984 (25.0)	.394 (10.0)	.492 (12.5)	.256 (6.5)	.142 (3.6)	
DRLPI-13 UP	4-6	.106 (2.7)	1.024 (26.0)	.433 (11.0)	.492 (12.5)	.256 (6.5)	.142 (3.6)	Yellow
DRLPI-14 UP	4-6	.106 (2.7)	1.181 (30.0)	.591 (15.0)	.492 (12.5)	.256 (6.5)	.142 (3.6)	

Technical Data :
Nylon Insulated Terminals - DIN Pin Type
 For Copper Conductor, Conductor Range 1.5 - 6 Sq mm



Characteristics

- Pin Terminals as Per Din 46231
- Maximum Electrical rating : 600 Volt
- Maximum Temperature : 75 °C
- Insulation Material : Nylon

Material

- High Conductivity Copper

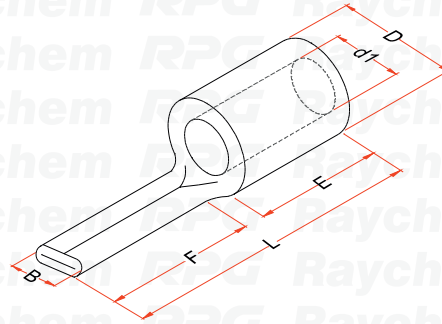
Finish

- Electro Tin Plated

Catalogue Code	Nominal Cross Section mm ²	Dimension inch (mm)						Colour code
		B	F	L	E	D	d1	
DRLPI-01 UN	1.5	.075 (1.9)	.768 (19.5)	.236 (6.0)	.433 (11.0)	.161 (4.1)	.063 (1.6)	Red
DRLPI-02 UN	1.5	.075 (1.9)	.846 (21.5)	.315 (8.0)	.433 (11.0)	.161 (4.1)	.063 (1.6)	
DRLPI-03 UN	1.5	.075 (1.9)	.925 (23.5)	.394 (10.0)	.433 (11.0)	.161 (4.1)	.063 (1.6)	
DRLPI-04 UN	1.5	.075 (1.9)	.965 (24.5)	.433 (11.0)	.433 (11.0)	.161 (4.1)	.063 (1.6)	
DRLPI-05 UN	1.5	.075 (1.9)	1.122 (28.5)	.591 (15.0)	.433 (11.0)	.161 (4.1)	.063 (1.6)	
DRLPI-06 UN	2.5	.075 (1.9)	.768 (19.5)	.236 (6.0)	.433 (11.0)	.177 (4.5)	.091 (2.3)	Blue
DRLPI-07 UN	2.5	.075 (1.9)	.846 (21.5)	.315 (8.0)	.433 (11.0)	.177 (4.5)	.091 (2.3)	
DRLPI-08 UN	2.5	.075 (1.9)	.925 (23.5)	.394 (10.0)	.433 (11.0)	.177 (4.5)	.091 (2.3)	
DRLPI-09 UN	2.5	.075 (1.9)	.965 (24.5)	.433 (11.0)	.433 (11.0)	.177 (4.5)	.091 (2.3)	
DRLPI-10 UN	2.5	.075 (1.9)	1.122 (28.5)	.591 (15.0)	.433 (11.0)	.177 (4.5)	.091 (2.3)	
DRLPI-11 UN	4-6	.106 (2.7)	.925 (23.5)	.315 (8.0)	.512 (13.0)	.256 (6.5)	.142 (3.6)	Yellow
DRLPI-12 UN	4-6	.106 (2.7)	1.004 (25.5)	.394 (10.0)	.512 (13.0)	.256 (6.5)	.142 (3.6)	
DRLPI-13 UN	4-6	.106 (2.7)	1.043 (26.5)	.433 (11.0)	.512 (13.0)	.256 (6.5)	.142 (3.6)	
DRLPI-14 UN	4-6	.106 (2.7)	1.201 (30.5)	.591 (15.0)	.512 (13.0)	.256 (6.5)	.142 (3.6)	

DRLP

Technical Data :
Non-Insulated Terminals - DIN Pin Type
 For Copper Conductor, Conductor Range 1.5 - 6 Sq mm



Characteristics

- Maximum Electrical rating : 600 Volt
- Maximum Temperature : 75 °C

Material

- High Conductivity Copper

Finish

- Electro Tin Plated

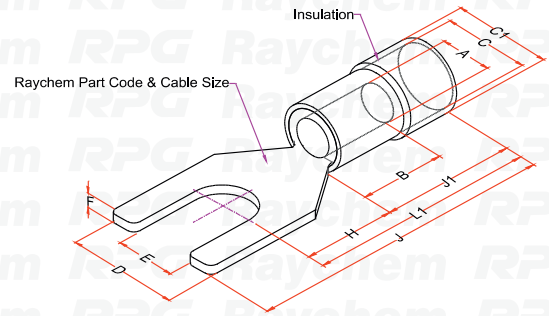
Catalogue Code	Nominal Cross Section mm ²	Dimension inch (mm)					
		B	F	L	E	D	d1
DRLP -01 U	1.5	.075 (1.9)	.531 (13.5)	.236 (6.0)	.197 (5.0)	.138 (3.5)	.063 (1.6)
DRLP -02 U	1.5	.075 (1.9)	.610 (15.5)	.315 (8.0)	.197 (5.0)	.138 (3.5)	.063 (1.6)
DRLP -03*	1.5	.075 (1.9)	.689 (17.5)	.394 (10.0)	.197 (5.0)	.138 (3.5)	.063 (1.6)
DRLP -04 U	1.5	.075 (1.9)	.728 (18.5)	.433 (11.0)	.197 (5.0)	.138 (3.5)	.063 (1.6)
DRLP -05 U	1.5	.075 (1.9)	.886 (22.5)	.591 (15.0)	.197 (5.0)	.138 (3.5)	.063 (1.6)
DRLP -06 U	2.5	.075 (1.9)	.531 (13.5)	.236 (6.0)	.197 (5.0)	.161 (4.1)	.091 (2.3)
DRLP -07 U	2.5	.075 (1.9)	.571 (14.5)	.276 (7.0)	.197 (5.0)	.161 (4.1)	.091 (2.3)
DRLP -08 U	2.5	.075 (1.9)	.610 (15.5)	.315 (8.0)	.197 (5.0)	.161 (4.1)	.091 (2.3)
DRLP -09 U	2.5	.075 (1.9)	.689 (17.5)	.394 (10.0)	.197 (5.0)	.161 (4.1)	.091 (2.3)
DRLP -10 U	2.5	.075 (1.9)	.728 (18.5)	.433 (11.0)	.197 (5.0)	.161 (4.1)	.091 (2.3)
DRLP -11 U	2.5	.075 (1.9)	.886 (22.5)	.591 (15.0)	.197 (5.0)	.161 (4.1)	.091 (2.3)
DRLP -12 U	2.5	.075 (1.9)	.925 (23.5)	.630 (16.0)	.197 (5.0)	.161 (4.1)	.091 (2.3)
DRLP -13 U	4-6	.106 (2.7)	.650 (16.5)	.315 (8.0)	.236 (6.0)	.228 (5.8)	.142 (3.6)
DRLP -14*	4-6	.106 (2.7)	.728 (18.5)	.394 (10.0)	.236 (6.0)	.228 (5.8)	.142 (3.6)
DRLP -15 U	4-6	.106 (2.7)	.768 (19.5)	.433 (11.0)	.236 (6.0)	.228 (5.8)	.142 (3.6)
DRLP -16 U	4-6	.106 (2.7)	.925 (23.5)	.591 (15.0)	.236 (6.0)	.228 (5.8)	.142 (3.6)

* Non-UL

Technical Data :

Insulated Terminals - Fork Type

For Copper Conductor, Conductor Range 1.5 - 10 Sq mm



Characteristics

- Maximum Electrical rating : 600 Volt
- Maximum Temperature : 105 °C
- Insulation Material : PVC or Nylon

Material

- High Conductivity Copper

Finish

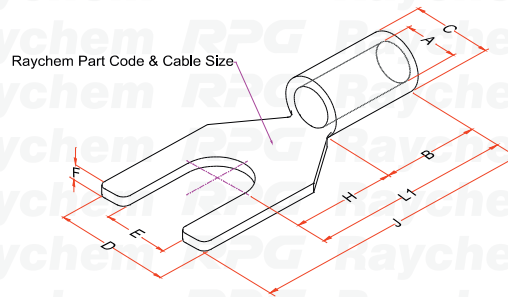
- Electro Tin Plated

Catalogue Code	Nominal Cross Section mm ²	Dimension (mm)												Colour code
		Stud Size d2	A	C	D	F	B	H	J	L1	C1	J1	L3	
RLFI-01	1.5	5.1	1.6	3.2	8.0	0.8	5.0	10.0	21.0	17.0	4.8	10.0	27.0	Red
RLFI-02		3.5	1.6	3.2	6.8	0.8	4.0	4.8	13.0	8.8	4.8	10.0	20.8	
RLFI-03		3	2	2.8	6.2	0.4	5.0	3.1	13.0	10.5	4.8	10.0	20.5	
RLFI-04	2.5	3.5	2.3	3.9	6.5	0.8	5.0	4.3	15.0	11.8	5.5	10.0	21.8	Blue
RLFI-05		5	2.6	4.6	10.6	1.6	6.2	6.2	21.0	12.4	5.5	10.0	20.0	
RLFI-06	4-6	3.1	3.5	5.5	6.0	1.0	6.0	5.5	15.0	11.5	7.1	14.0	27.5	Yellow
RLFI-07		3.5	3.5	5.5	6.0	1.0	6.0	5.0	15.0	11.0	7.1	14.0	27.0	
RLFI-08	10	6.5	4.5	6.9	16.0	1.2	8.0	11.0	27.0	19.0	7.9	16.0	35.0	Black
RLFI-09		8.2	4.5	6.9	16.0	1.2	8.0	11.0	27.0	19.0	7.9	16.0	35.0	

Technical Data :

Non-Insulated Terminals - Fork Type

For Copper Conductor, Conductor Range 1.5 - 10 Sq mm



Characteristics

- Maximum Electrical rating : 600 Volt
- Maximum Temperature : 105 °C

Material

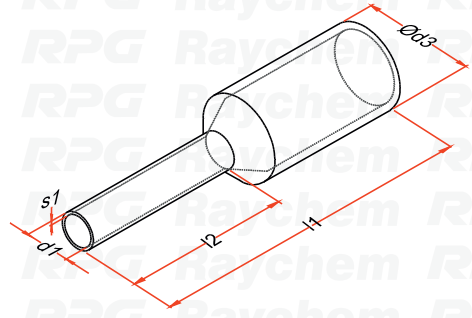
- High Conductivity Copper

Finish

- Electro Tin Plated

Catalogue Code	Nominal Cross Section Sq mm	Dimension (mm)								
		Stud Size d2	A	C	D	F	B	H	J	L1
RLF-01	1.5	5.1	1.6	3.2	8.0	0.8	5.0	10.0	21.0	17.0
RLF-02		3.5	1.6	3.2	6.8	0.8	4.0	4.8	13.0	8.8
RLF-03		3	2	2.8	6.2	0.4	5.0	3.1	13.0	10.5
RLF-04	2.5	3.5	2.3	3.9	6.5	0.8	5.0	4.3	15.0	11.8
RLF-05		5	2.6	4.6	10.6	1.6	6.2	6.2	21.0	12.4
RLF-06	4-6	3.1	3.5	5.5	6.0	1.0	6.0	5.5	15.0	11.5
RLF-07		3.5	3.5	5.5	6.0	1.0	6.0	5.0	15.0	11.0
RLF-08	10	6.5	4.5	6.9	16.0	1.2	8.0	11.0	27.0	19.0
RLF-09		8.2	4.5	6.9	16	1.2	8	11	27	19

Technical Data :
Insulated Cable Ends - Bootless Sleeves
 For Copper Conductor, Conductor Range 0.5 - 150 Sq mm



Characteristics

- Maximum Temperature : 105 °C
- Insulation Material : Nylon

Material

- High Conductivity Copper

Finish

- Electro Tin Plated

Catalogue Code	Nominal Cross Section Sq mm	Dimensions (mm)					Colour Code
		d1	d3	l1	l2	s1	
RLBI 0.5 x 6	0.50	1.00	3.10	12.00	6.00	0.15	WHITE
RLBI 0.5 x 8		1.00	3.10	14.00	8.00	0.15	
RLBI 0.5 x 10		1.00	3.10	16.00	10.00	0.15	
RLBI 0.75 x 6	0.75	1.20	3.30	12.00	6.00	0.15	GREY
RLBI 0.75 x 8		1.20	3.30	14.00	8.00	0.15	
RLBI 0.75 x 10		1.20	3.30	16.00	10.00	0.15	
RLBI 0.75 x 12		1.20	3.30	18.00	12.00	0.15	
RLBI 1 x 6	1.00	1.40	3.50	12.00	6.00	0.15	RED
RLBI 1 x 8		1.40	3.50	14.00	8.00	0.15	
RLBI 1 x 10		1.40	3.50	16.00	10.00	0.15	
RLBI 1 x 12		1.40	3.50	18.00	12.00	0.15	
RLBI 1.5 x 6	1.50	1.70	4.00	12.00	6.00	0.15	BLACK
RLBI 1.5 x 8		1.70	4.00	14.00	8.00	0.15	
RLBI 1.5 x 10		1.70	4.00	16.00	10.00	0.15	
RLBI 1.5 x 12		1.70	4.00	18.00	12.00	0.15	
RLBI 1.5 x 18		1.70	4.00	24.00	18.00	0.15	
RLBI 2.5 x 8	2.50	2.20	4.70	14.00	8.00	0.15	BLUE
RLBI 2.5 x 10		2.20	4.70	16.00	10.00	0.15	
RLBI 2.5 x 12		2.20	4.70	18.00	12.00	0.15	
RLBI 2.5 x 18		2.20	4.70	24.00	18.00	0.20	
RLBI 4 x 8	4.00	2.80	5.40	15.00	8.00	0.20	GREY
RLBI 4 x 10		2.80	5.40	17.00	10.00	0.20	
RLBI 4 x 12		2.80	5.40	20.00	12.00	0.20	
RLBI 4 x 18		2.80	5.40	26.00	18.00	0.20	

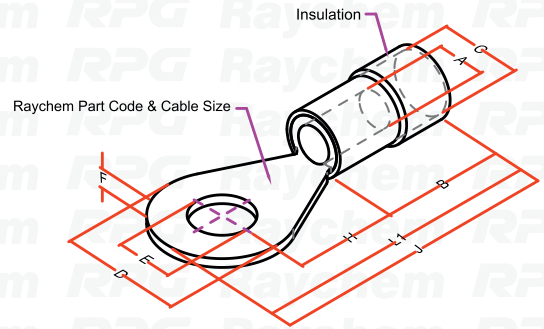
Continued...

Technical Data :

RLBI Insulated Cable Ends - Bootless Sleeves ...Continued

Catalogue Code	Nominal Cross Section Sq mm	Dimensions (mm)					Colour Code
		d1	d3	l1	l2	s1	
RLBI 6 x 10	6.00	3.50	6.90	18.00	10.00	0.20	YELLOW
RLBI 6 x 12		3.50	6.90	20.00	12.00	0.20	
RLBI 6 x 18		3.50	6.90	26.00	18.00	0.20	
RLBI 10 x 12	10.00	4.50	8.40	22.00	12.00	0.20	RED
RLBI 10 x 18		4.50	8.40	28.00	18.00	0.20	
RLBI 16 x 12	16.00	5.80	9.60	22.00	12.00	0.20	BLUE
RLBI 16 x 18		5.80	9.60	28.00	18.00	0.20	
RLBI 25 x 16	25.00	7.30	12.00	26.50	16.00	0.20	YELLOW
RLBI 25 x 18		7.30	12.00	29.00	18.00	0.20	
RLBI 25 x 22		7.30	12.00	36.00	22.00	0.20	
RLBI 35 x 16	35.00	8.30	13.50	30.00	16.00	0.20	RED
RLBI 35 x 18		8.30	13.50	32.00	18.00	0.20	
RLBI 35 x 25		8.30	13.50	39.00	25.00	0.20	
RLBI 50 x 20	50.00	10.30	16.00	36.00	20.00	0.30	RED
RLBI 50 x 25		10.30	16.00	40.00	25.00	0.30	
RLBI 70 x 21	70.00	13.50	17.20	37.00	21.00	0.40	YELLOW
RLBI 95 x 25	95.00	14.70	19.20	44.00	25.00	0.40	BLUE
RLBI 120 x 27	120.00	16.70	21.40	48.00	27.00	0.45	BLUE
RLBI 150 x 32	150.00	19.50	25.00	58.00	32.00	0.50	YELLOW

Technical Data :
Insulated Terminals - Ring Type
 For Copper Conductor, Conductor Range 1.5 - 6 Sq mm



Characteristics

- Maximum Electrical rating : 600 Volt
- Maximum Temperature : 105 °C
- Insulation Material : PVC or Nylon

Material

- High Conductivity Copper

Finish

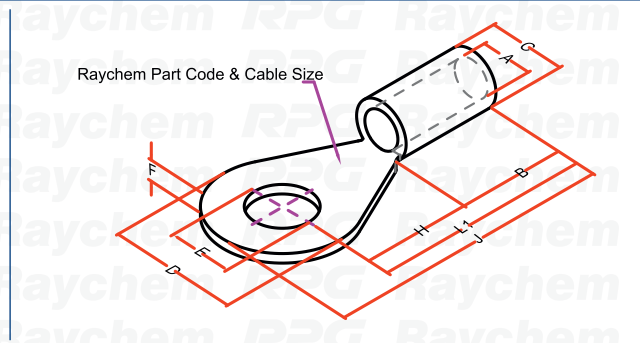
- Electro Tin Plated

Catalogue Code	Nominal Cross Section Sq mm	Dimension (mm)											Colour code
		Stud Size d2	A	C	D	F	B	H	J	L1	C1	J1	
RLRI-001	1.5	2.2	1.6	3.2	6.0	0.8	5.0	4.0	14.0	11.0	4.8	10.0	Red
RLRI-002		2.6	1.6	3.2	6.0	0.8	5.0	4.0	14.0	11.0	4.8	10.0	
RLRI-003		3.2	1.6	3.2	6.0	0.8	5.0	4.0	14.0	11.0	4.8	10.0	
RLRI-004		3.7	1.6	3.2	6.0	0.8	5.0	4.0	14.0	11.0	4.8	10.0	
RLRI-005		4.2	1.6	3.2	6.0	0.8	5.0	4.0	14.0	11.0	4.8	10.0	
RLRI-006		5.2	1.6	3.2	8.0	0.8	5.0	5.0	16.0	12.0	4.8	10.0	
RLRI-007		6.4	1.6	3.2	10.0	0.8	5.0	6.0	18.0	13.0	4.8	10.0	
RLRI-008	2.5	3.2	2.3	3.9	6.5	0.8	5.0	3.5	12.7	9.5	5.4	10.0	Blue
RLRI-009		3.7	2.3	3.9	6.5	0.8	5.0	3.5	12.7	9.5	5.4	10.0	
RLRI-010		4.2	2.3	3.9	8.0	0.8	5.0	5.0	16.0	12.0	5.4	10.0	
RLRI-011		5.2	2.3	3.9	8.0	0.8	5.0	5.0	16.0	12.0	5.4	10.0	
RLRI-012		6.4	2.3	3.9	10.0	0.8	5.0	7.0	18.0	13.0	5.4	10.0	
RLRI-013		8.2	2.3	3.9	12.0	0.8	5.0	9.0	22.0	16.0	5.4	10.0	
RLRI-014		8.2	2.3	3.9	16.0	0.8	5.0	10.0	25.0	17.0	5.4	10.0	
RLRI-015		10.2	2.3	3.9	16.0	0.8	5.0	10.0	25.0	17.0	5.4	10.0	
RLRI-016		12.7	2.3	3.9	18.0	0.8	5.0	14.0	29.0	20.0	5.4	10.0	
RLRI-017	4-6	4.2	3.5	5.5	10.0	1.0	6.0	5.0	19.0	14.0	7.1	15.0	Yellow
RLRI-018		5.2	3.5	5.5	10.0	1.0	6.0	5.0	19.0	14.0	7.1	15.0	
RLRI-019		6.4	3.5	5.5	12.0	1.0	6.0	6.0	20.0	14.0	7.1	15.0	
RLRI-020		8.2	3.5	5.5	12.0	1.0	6.0	6.0	20.0	14.0	7.1	15.0	
RLRI-021		8.2	3.5	5.5	14.0	1.0	6.0	10.5	25.5	18.5	7.1	15.0	
RLRI-022		9.7	3.5	5.5	14.0	1.0	6.0	10.5	25.5	18.5	7.1	15.0	

Technical Data :

Non-Insulated Terminals - Ring Type

For Copper Conductor, Conductor Range 1.5 - 150 Sq mm



Characteristics

- Maximum Electrical rating : 600 Volt
- Maximum Temperature : 105 °C

Material

- High Conductivity Copper

Finish

- Electro Tin Plated

Catalogue Code	Nominal Cross Section Sq mm	Dimension (mm)								
		Stud Size d2	A	C	D	F	B	H	J	L1
RLR-001	1.5	2.2	1.6	3.2	6	0.8	5	4	14	11
RLR-002		2.6	1.6	3.2	6	0.8	5	4	14	11
RLR-003		3.2	1.6	3.2	6	0.8	5	4	14	11
RLR-004		3.7	1.6	3.2	6	0.8	5	4	14	11
RLR-005		4.2	1.6	3.2	6	0.8	5	4	14	11
RLR-006		5.2	1.6	3.2	8	0.8	5	5	16	12
RLR-007		6.4	1.6	3.2	10	0.8	5	6	18	13
RLR-008	2.5	3.2	2.3	3.9	6.5	0.8	5	3.5	12.7	9.5
RLR-009		3.7	2.3	3.9	6.5	0.8	5	3.5	12.7	9.5
RLR-010		4.2	2.3	3.9	8	0.8	5	5	16	12
RLR-011		5.2	2.3	3.9	8	0.8	5	5	16	12
RLR-012		6.4	2.3	3.9	10	0.8	5	7	18	13
RLR-013		8.2	2.3	3.9	12	0.8	5	9	22	16
RLR-014		8.2	2.3	3.9	16	0.8	5	10	25	17
RLR-015		10.2	2.3	3.9	16	0.8	5	10	25	17
RLR-016		12.7	2.3	3.9	18	0.8	5	14	29	20
RLR-017	4-6	4.2	3.5	5.5	10	1	6	5	19	14
RLR-018		5.2	3.5	5.5	10	1	6	5	19	14
RLR-019		6.4	3.5	5.5	12	1	6	6	20	14
RLR-020		8.2	3.5	5.5	12	1	6	6	20	14
RLR-021		8.2	3.5	5.5	14	1	6	10.5	25.5	18.5
RLR-022		9.7	3.5	5.5	14	1	6	10.5	25.5	18.5
RLR-023	10	4.2	4.3	6.3	10	1	8	7	22	17
RLR-024		5.2	4.3	6.3	10	1	8	7	22	17
RLR-025		6.4	4.3	6.3	12	1	8	7	23	17
RLR-026		8.2	4.3	6.3	16	1	8	7	27	19
RLR-027		10.2	4.3	6.3	22	1	8	10	34	23
RLR-028		12.7	4.3	6.3	22	1	8	10	34	23

Continued...

Technical Data :

RLR Non-Insulated Terminals - Ring Type ...Continued

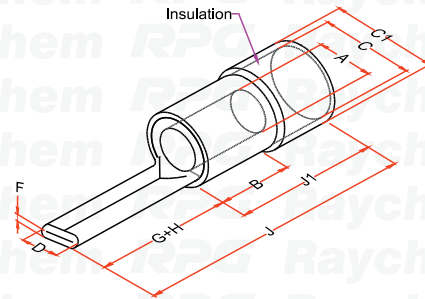
Catalogue Code	Nominal Cross Section Sq mm	Dimension (mm)								
		Stud Size d2	A	C	D	F	B	H	J	L1
RLR-029	16	6.4	5.6	8	16	1.2	10	8	30	22
RLR-030		8.2	5.6	8	16	1.2	10	8	30	22
RLR-031		10.2	5.6	8	22	1.2	10	8	35	24
RLR-032		12.7	5.6	8	22	1.2	10	8	35	24
RLR-033	25	6.4	7.5	11.1	16	1.8	11	6	30	22
RLR-034		8.2	7.5	11.1	16	1.8	11	6	30	22
RLR-035		10.2	7.5	11.1	16	1.8	11	6	30	22
RLR-036		12.7	7.5	11.1	22	1.8	11	14	42	31
RLR-037	35	6.4	9	12.6	16	1.8	12	6	31	23
RLR-038		8.2	9	12.6	16	1.8	12	6	31	23
RLR-039		10.2	9	12.6	22	1.8	12	15	42	31
RLR-040		12.7	9	12.6	22	1.8	12	15	42	31
RLR-041	50	8.2	10.5	14.1	18	1.8	16	12	43	34
RLR-042		10.2	10.5	14.1	24	1.8	16	14	48	36
RLR-043		12.7	10.5	14.1	24	1.8	16	14	48	36
RLR-044		16.2	10.5	14.1	32	1.8	16	15	54	38
RLR-045	70	10.2	12	16	22	2	18	11	47	36
RLR-046		12.7	12	16	22	2	18	11	47	36
RLR-047		16.2	12	16	28	2	18	16	54	40
RLR-048	95	10.2	13.5	18.1	24	2.3	20	12	50	38
RLR-049		12.7	13.5	18.1	24	2.3	20	12	50	38
RLR-050		16.2	13.5	18.1	28	2.3	20	17	58	44
RLR-051	120	12.7	15	20.2	26	2.6	22	7	52	39
RLR-052		20.3	15	20.2	34	2.6	24	20	66	49
RLR-053	150	16.2	16.5	23.7	34	3.6	24	20	66	49
RLR-054		20.3	16.5	23.7	40	3.6	24	20	74	54

RLPI

Technical Data :

Insulated Terminals - Pin Type

For Copper Conductor, Conductor Range 1.5-16 Sq mm



Characteristics

- Maximum Electrical rating : 600 Volt
- Maximum Temperature : 75 °C
- Insulation Material : PVC or Nylon

Material

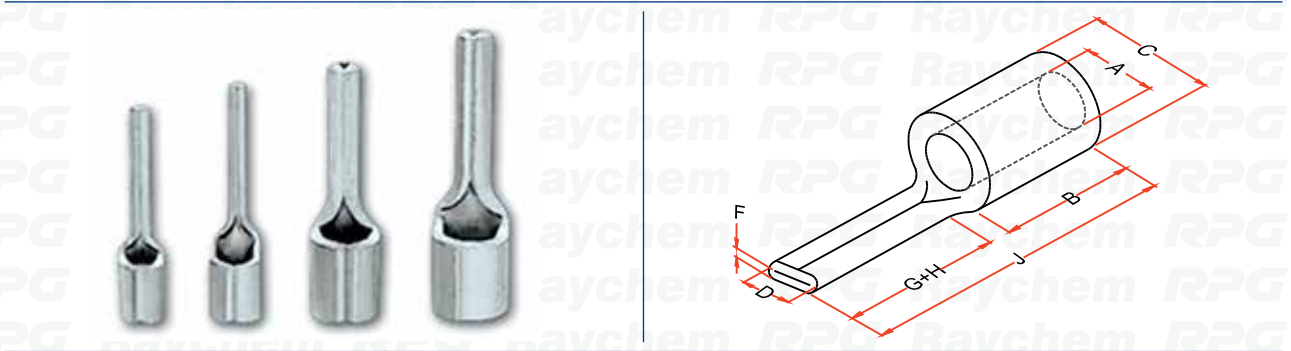
- High Conductivity Copper

Finish

- Electro Tin Plated

Catalogue Code	Nominal Cross Section Sq mm	Type	Dimensions (mm)									Colour Code
			A	C	D	F	B	G+H	J	C1	J1	
RLPI-01	1.5	I	1.6	3.2	1.9	0.8	5.0	10.5	17.3	4.8	10.0	Red
RLPI-02	2.5	I	2.3	3.9	1.9	0.8	5.0	10.0	17.0	5.5	10.0	Blue
RLPI-03	4	I	2.9	4.9	2.7	1.0	6.0	12.8	20.5	7.1	14.0	Yellow
RLPI-04	6	I	3.7	5.5	2.5	1.0	6.0	12.3	20.2	7.1	14.0	Yellow
RLPI-01	1.5	II	1.6	3.3	3.2	0.8	5.2	10.5	17.3	4.8	10.0	Red
RLPI-02	2.5	II	2.5	3.9	3.0	0.8	5.2	10.7	17.3	5.5	10.0	Blue
RLPI-03	4	II	2.9	4.9	5.2	1.0	6.2	12.0	20.5	7.1	14.0	Yellow
RLPI-04	6	II	3.6	5.6	5.2	1.0	6.0	12.4	20.0	7.9	14.0	Yellow
RLPI-06	10	III	4.7	6.6	4.2	1.0	8.1	11.0	22.4	7.9	16.0	Black
RLPI-07	16	III	6.0	8.2	5.6	1.2	10.0	14.0	26.0	10.0	20.0	Black

Technical Data :
Non-Insulated Terminals - Pin Type
 For Copper Conductor, Conductor Range 1.5-95 Sq mm



Characteristics

- Maximum Electrical rating : 600 Volt
- Maximum Temperature : 75 °C

Pin Cross section Type

- Type I : Pin Cross Section - Round
- Type II : Pin Cross Section - Flat
- Type III : Pin Cross Section - Elliptical

Material

- High Conductivity Copper


Finish

- Electro Tin Plated

Catalogue Code	Nominal Cross Section Sq mm	Type	Dimensions (mm)						
			A	C	D	F	B	G+H	J
RLP-001	1.5	I	1.6	3.2	1.9	0.8	5.0	10.5	17.3
RLP-002	2.5	I	2.3	3.9	1.9	0.8	5.0	10.0	17.0
RLP-003	4	I	2.9	4.9	2.7	1.0	6.0	12.8	20.5
RLP-004	6	I	3.7	5.5	2.5	1.0	5.8	12.3	20.2
RLP-001	1.5	II	1.6	3.3	3.2	0.8	5.2	10.5	17.3
RLP-002	2.5	II	2.5	3.9	3.0	0.8	5.2	10.7	17.3
RLP-003	4	II	2.9	4.9	5.2	1.0	6.2	12.0	20.5
RLP-004	6	II	3.6	5.6	5.2	1.0	6.0	12.4	20.0
RLP-006	10	III	4.7	6.6	4.2	1.0	8.1	11.0	22.4
RLP-007	16	III	6.0	8.2	5.6	1.2	10.0	14.0	26.0
RLP-008	25	III	7.4	10.9	7.4	1.7	11.0	15.0	33.1
RLP-009	35	III	9.1	12.5	8.3	1.8	12.0	15.3	33.0
RLP-010	50	III	10.6	14.2	9.2	1.8	16.0	19.0	41.0
RLP-011	70	III	12.0	16.0	9.7	1.8	16.0	25.0	46.0
RLP-012	95	III	13.8	18.0	9.5	2.3	20.0	24.5	51.0

APPROVALS & CERTIFICATES

Page 1 of 2



Date: 30th July, 2018
 Customer : Raychem RPG Pvt Ltd.
 Lab Address : Raychem RPG Pvt Ltd.
 Plot No 9, S No 62, Hissa No 263,
 Near Bharat Petroleum Pump, Off Western Express
 Highway, Valsiv Village, Post Sativali,
 Vasai (E), Maharashtra, 401208,
 India.

Contact Person : Mr. Shivaji Mane
 Project Number : 4788367392.1.1
 Scope : Lab qualification (CCN: ZMVV)
 Standards : UL Standard : UL 486A - 486B, 2nd Ed, Revised January 20, 2016.
 : CSA Standard : CSA C22.2 No. 65-13, 5th Ed, Revised January 20,
 2016

Test Details : 1) Mechanical Sequence (UL 486A/B, Cl.: 7.4, 8.4, 9.4)
 2) Static Heat Sequence (UL 486A/B, Cl.: 7.3, 8.3, 9.3)
 3) Current Cycling Test (UL 486A/B, Cl.: 7.2, 8.2, 9.2)
 4) Construction Requirement (UL 486A/B, Cl.: 6)
 5) Marking, Labeling and Packaging (UL 486A/B, Cl.: 10)

Subject : Letter Report for completion of Lab Qualification Project
 4788367392.1.1.

Dear Mr. Shivaji Mane,

We have completed our work under the above project and this letter will serve as a letter report of our findings. For the record we are using requirements from the below standards;

- 1) UL 486A - 486B, 2nd Ed, Revised January 20, 2016.
- 2) CSA C22.2 No. 65-13, 5th Ed, Revised January 20, 2016

DETAILED EVALUATION OF LAB COMMENTS AND REQUIREMENTS

The following tests are witnessed with the below referenced requirements

CCN : ZMVV

Sl. No.	Test Name / Lab requirement	Requirements - standard/clause	Comments
1	Secureness Test Mechanical Sequence)	UL486A and UL486B 7.4, 8.4, 9.4 and 7.3.2, 7.4.1, 9.3.2.	Test procedure, process, test method and test Set up (Equipment) verified and found OK. Instrument capable to test from 18 AWG to 2000kcmil.
2	Pull out Test Mechanical Sequence)	UL486A and UL486B 7.4, 8.4, 9.4 and 7.3.3, 7.4.2, 9.3.4.	Test procedure, process, test method and test Set up (Equipment) verified and found OK. Equipment Range up to 3000Kg. Calibration report for load cell found within a range. from 0.1Kg to 3000Kg.
3	Static Heat Sequence	UL486A and UL486B	Test procedure, process, test

UL 1933P Valsiv Road
 401208 Vasai (E) Dist. Palghar, Maharashtra, India
 T: 912041354409 / 91204828413450 / W: L1.com



Certificate of Acceptance



This is to certify that

Raychem RPG Private Limited
 1/62, M.G. Road, Near Bharat Petroleum Pump, Off Western Express Highway,
 Post Sativali, Bassein, Taluka Vasai (E), Dist. Palghar - 401208, Maharashtra,
 India

has been accepted as a **Customer's Testing Facility (CTF)**
 of the National Certification Body (NCB) of TÜV Rheinland InterCert Kft.

The above Testing Laboratory has been assessed in accordance with the IECCE CB Scheme Utilization of Customers' Testing Facilities Program (stage 1 and found to comply with the applicable requirements of ISO/IEC 17025:2005 for the testing of products according to the standard(s) listed below:

IEC 61238-1: 2003

TÜV Rheinland

Registration No.: MU 69262366 0001
 Assessment Report No.: 19676682 001
 Date of expiry: 2020-11-10

This document is no accreditation certificate.
 TÜV Rheinland InterCert Kft refers to the above mentioned Testing Laboratory and it is not transferable.
 TÜV Rheinland InterCert Kft is to be promptly notified about any changes in the laboratory which may affect the basis of this acceptance. The certificate may be withdrawn if the conditions are no longer fulfilled.
 This certificate does not permit the use of logos and marks of conformity of TÜV Rheinland.

TÜV Rheinland InterCert Kft
 Certification Body
 Tünde Potencsik

Date of Issue:
 Budapest, 2020-02-05

TÜV Rheinland InterCert Kft., MEEI Division - Certification Body - H-1132 Budapest, Váci út 48A-B - www.tuv.com
 Validity of certificate can be checked on www.CERTIPEDIA.com

Raychem RPG

ENGINEERING GROWTH . PIONEERING EXCELLENCE

Raychem RPG (P) Ltd.

CORPORATE OFFICE

RPG House, 463, Dr. A. B. Road, Worli, Mumbai - 400 030
Tel.: +91 22 24937485 / 24937486 | Fax.: +91 22 24938879

International Business Division (IBD) - EBU

1,62, M.G. Rd., Near Bharat Petroleum Pump, Off. Western Express Highway,
P. Satavali, Bassein, Taluka Vasai, Dist. Palghar
Tel.: +91 250 3057500 | Fax: +91 250 2480046

Email : cablelugs@raychemrpg.com

www.raychemrpg.com



(A TE-Connectivity - RPG Enterprises JV)

Copyright 2019
All Rights Reserved to Raychem RPG (P) Limited
V01052020