

EARTHING & LIGHTNING PROTECTION SOLUTION

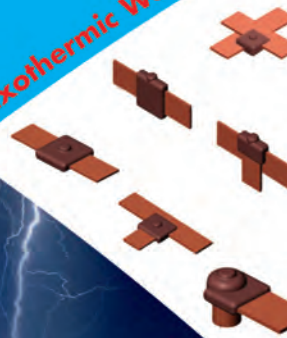
Air Termination Network Solution



Earthing Solution



Exothermic Welding



**ELPS
DESIGN
SOLUTION**

CONTENT

| | |
|---|----------------|
| 1. INTRODUCTION TO RAYCHEM RPG | 3 |
| 1.1. Company Profile | |
| 1.2. Earthing & Lightning Protection Solution | |
| 2. LIGHTNING PROTECTION | 8 - 20 |
| 2.1. Direct Lightning Protection (Direct Strike to Structures) | 8 - 12 |
| 2.1.1. Air terminal Rods - Passive Components | |
| 2.1.2. Multipoint | |
| 2.1.3. Strike Pad | |
| 2.1.4. Air Terminal Base, Clamps & Bonds | |
| 2.2. Down Conductor Network | 13 - 20 |
| 2.2.1. Down Conductor (Ex.: Tape / Conductor) | |
| 2.2.2. Clamping Accessories | |
| 2.2.3. Bonding Components | |
| 2.2.4. Additional Accessories | |
| 3. EARTHING PROTECTION | 22 - 29 |
| 3.1. Earthing and Grounding Solutions | 22 |
| 3.1.1. Copper Bonded Earth Rod & Accessories | |
| 3.1.2. Solid Copper Earth Rod & Accessories | 23 |
| 3.2. Clamps & Bonds | 24 |
| 3.3. Earth Lattice | 26 |
| 3.4. Solid Earth Plate | 26 |
| 3.5. Earth Inspection Housing Pits | 27 |
| 3.5.1. Concrete Inspection Pit | |
| 3.5.2. Light Weight Inspection Pit | |
| 3.6. Earth Enhancing Compound | 27 |
| 3.7. Inspection Housing Earth Bar | 27 |
| 3.8. Additional Accessories | 28-29 |
| 3.8.1. Earth Bar with Disconnecting Link | |
| 3.9. Test Link | 30 |
| 4. EXOTHERMIC WELDING | 32 - 37 |
| 4.1. Introduction | 32 |
| 4.2. Installation Guidelines | 33 |
| 4.3. Weld Mould Components | 34 - 78 |
| 4.3.1. Bar (Tape) to Bar (Tape)* Type - 1 Mould | |
| 4.3.2. Standard Cable to Standard Cable* Type - 2 Mould | |
| 4.3.3. Standard Cable to Standard Cable* Type - 3 Mould | |
| 4.3.4. Bar (Tape) / Standard Cable to Steel Surface Bonding* Type - 4 Mould | |
| 4.3.5. Bar (Tape) to Standard Cable* Type - 5 Mould | |
| 4.3.6. Standard Cable to Rebar Bonding* Type - 6 Mould | |
| 4.3.7. Bar (Tape) / Standard Cable to Earth Electrode Bonding* Type - 7 Mould | |
| 4.4. Accessories | 79 |
| 4.4.1. Handle Clamps | |
| 4.4.2. Exo-Thermic Weld Powder | |
| 4.4.3. Other Miscellaneous Accessories | |
| 5. ADDITIONAL PRODUCTS AVAILABLE | 80 |

1. INTRODUCTION TO RAYCHEM RPG

1.1. Company Profile

Raychem RPG (P) Ltd., incorporated in 1989, is a 50:50 joint Venture between TE Connectivity, U.S.A. (formerly Tyco Electronics) and RPG Enterprises, India.

TE Connectivity is a US\$13 Billion global provider for solutions in Network, Transportation, Consumers and Industrial for over 50 years.

RPG Enterprises, an establishment of over 30 years, is one of India's fastest growing business groups with turnover of US\$ 3 Billion. The group has more than fifteen companies managing diverse business interests in the areas of Automotive Tyres, Infrastructure, IT and Specialty including Pharmaceuticals, Power Ancillaries & Plantations.

1.2. Earthing & Lightning Protection Solution

At Raychem RPG we provide you with complete one stop solution for all your Earthing and Lightning protection needs. As a solution provider we offer you with :-

1. Lightning Protection Solution which includes:

- **Risk Assessment Calculation:**

The aim of the risk assessment process is to remove a hazard or reduce the level of risk by adding precautions or control measures as necessary. By doing so, we aim to create a safe workplace.

Raychem RPG technical team has developed Arrestek (software RA.version-01), an invaluable tool which automates the complex calculations required by IEC/EN 62305-2.

To access the tool please use the below link:
<http://raychemrpg.com/risk-assessment-software/>

- **Direct Lightning:**

As per the Risk Assessment Calculation protection level will be finalised. Based on the protection level and as per the requirements of the project / client, Lightning Protection Passive System (BS EN / IEC 62305) & (NFPA 780) and Active System (NFC 17-102) will be proposed.

- **Indirect Lightning Protection: Surge Protection DevTice (SPD)**

Indirect lightning system protects against transient induced over voltage / current to the internal equipments like:

- 1) Power
- 2) Data & Telecommunication

2. Earthing Solution which includes:

- **On-Site Soil Resistivity Survey and Ground Resistance Measurement:**

Raychem RPG conducts the soil resistivity survey to determine the electrical resistance of the ground at a specific location. This is done by high end test instrument, capable of filtering out unwanted electrical noise that may foul the results gained.

Our team of Engineers and Technicians will attend to your site and carryout a full electrical assessment of the ground.

All work is carried out in accordance with BS 7430:2015 (Code of practice for protective earthing of electrical installations), BS EN 50522:2010 (Earthing of power installations exceeding 1kV a.c.).

- **Earthing Calculation:**

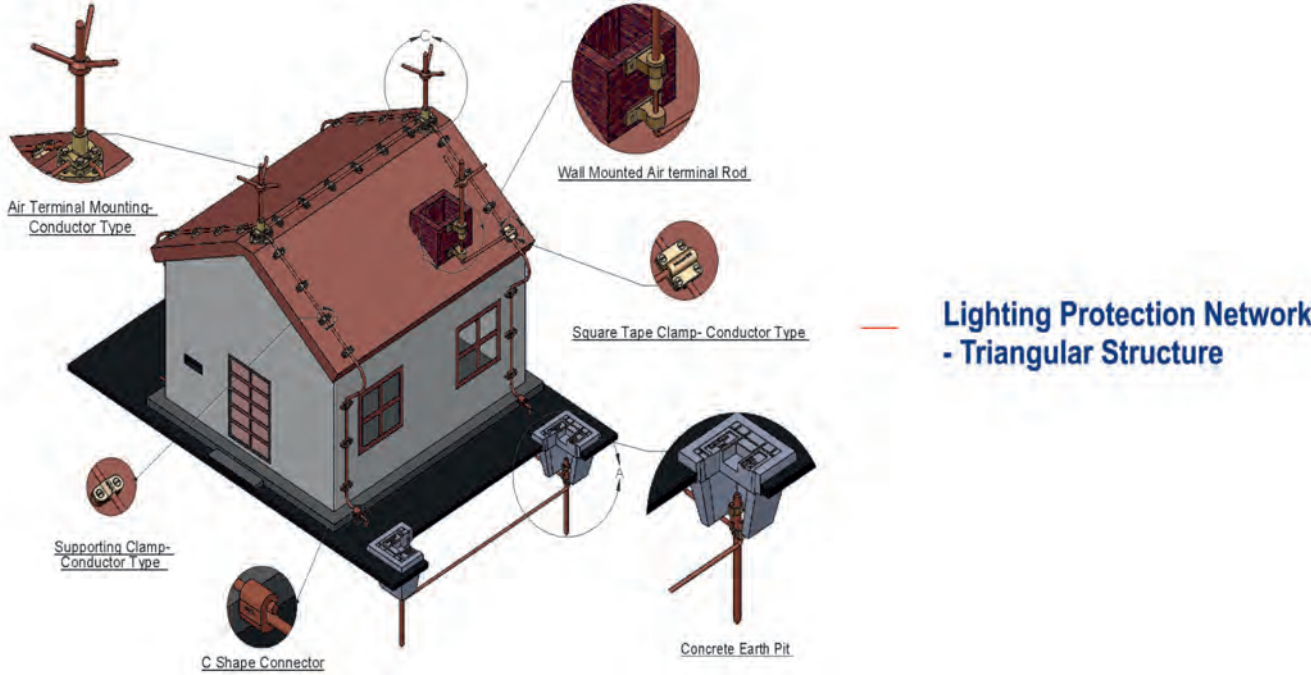
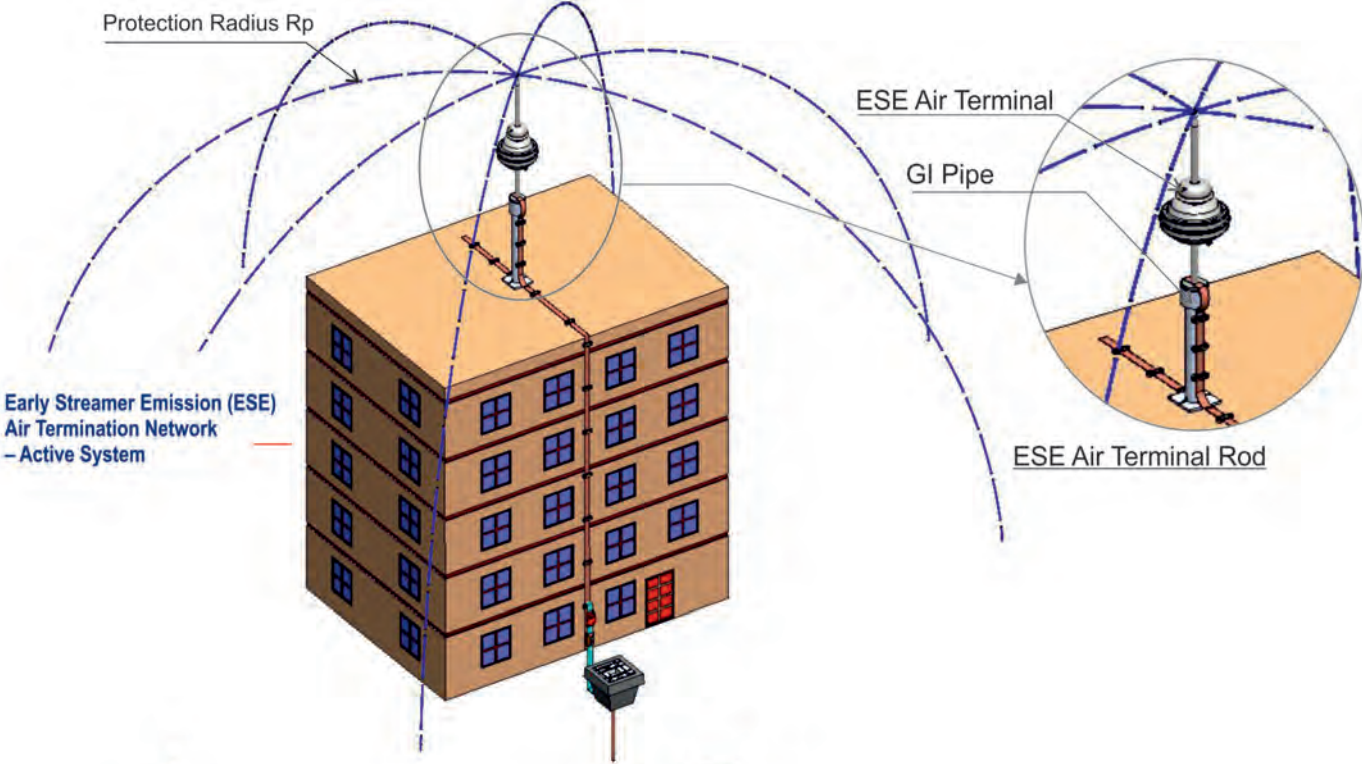
Earthing calculations (Earth Grid Conductor Cross section, Earth rod cross section and earthing grid calculations to achieve the <1 Ωm) for Residential, Commercial and Industrial projects based on soil resistivity survey value of site, fault current in kA of Main Distribution Board (MDB).

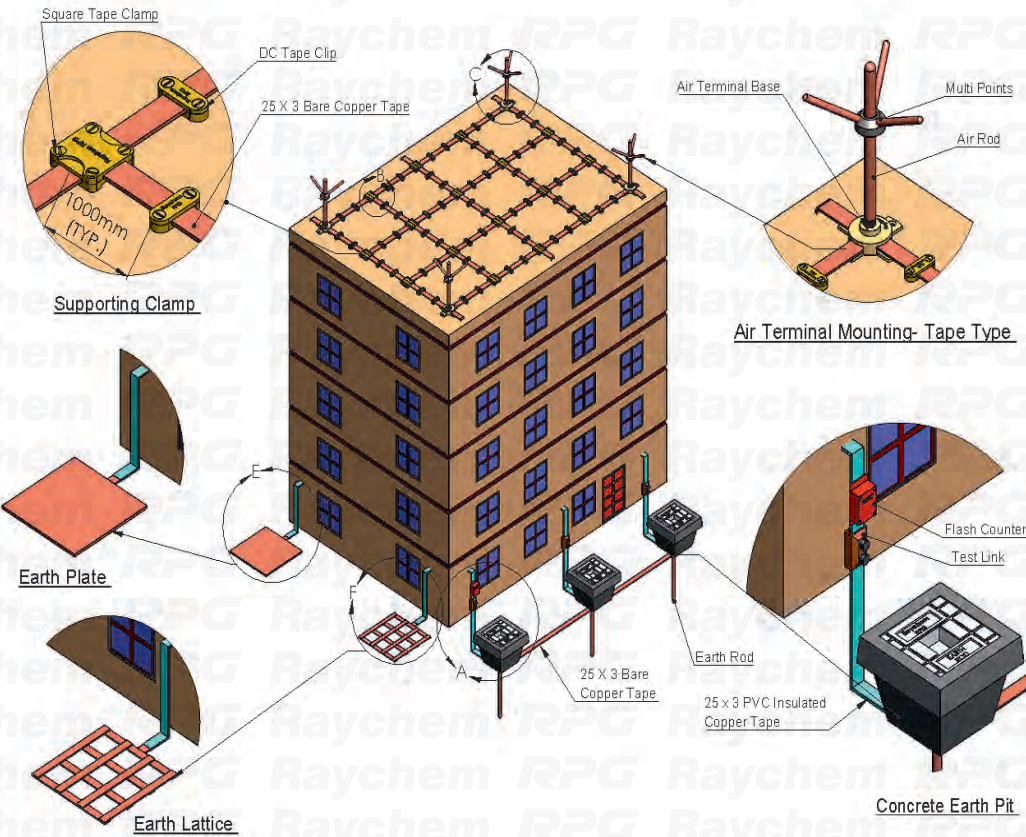
- **Earthing Design:**

Based on the earthing calculation (BS 7430 / IEEE 80), we provide earthing system design for different type of structures. We also recommend back fill component where corrosive atmosphere to achieve required ground resistance.

EARTHING & LIGHTNING

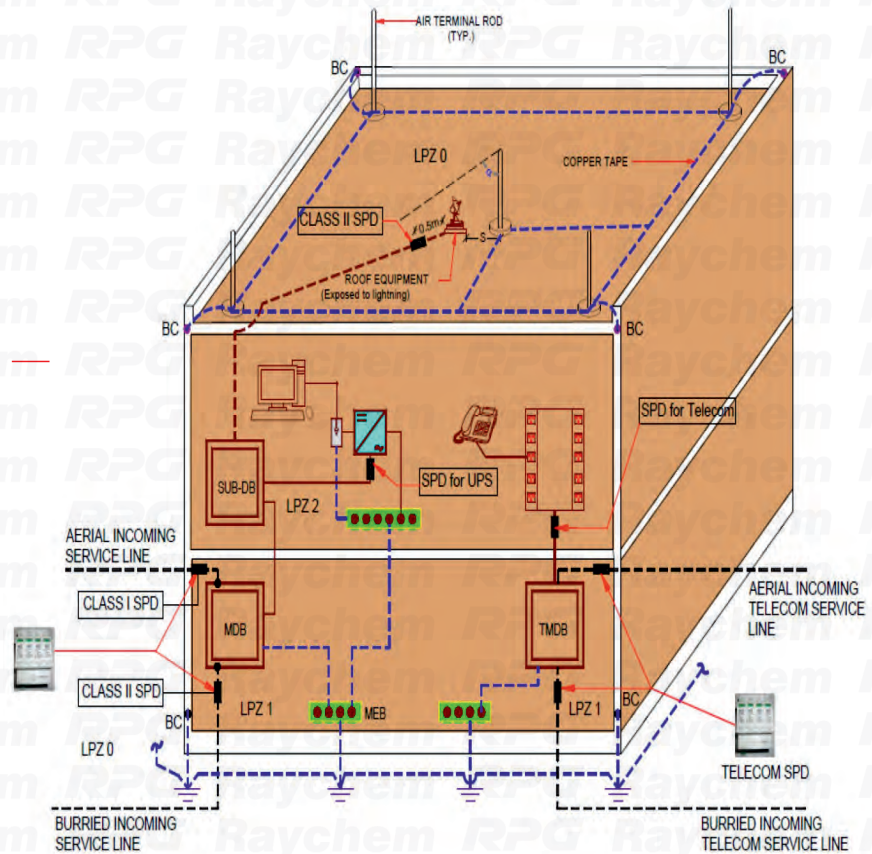
Protection Solution





**Conventional
Air Termination Network
- Passive System**

**Surge Protection Device (SPD)
- Indirect Lightning Protection**



2. LIGHTNING PROTECTION

2. LIGHTNING PROTECTION

2.1. Direct Lightning Protection (Direct Strike To Structures)

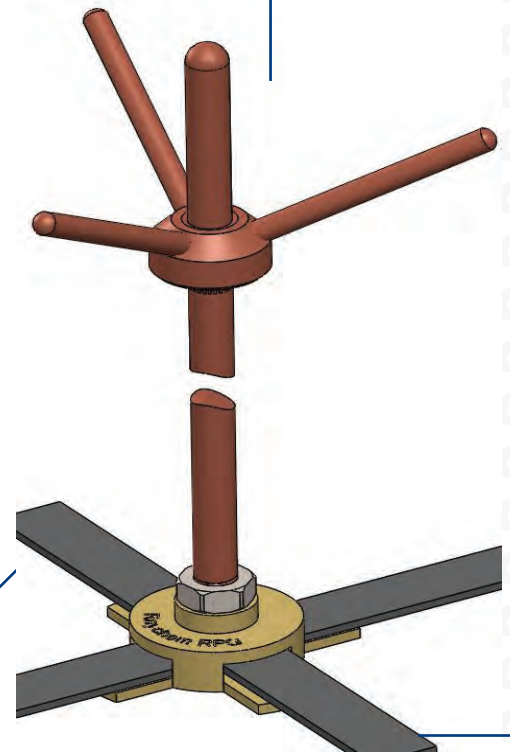
2.1.1. Conventional

Air terminal Rods - Passive Components

Air Terminal Rod is used on highest point of an elevated structure to captures maximum lightning strike .

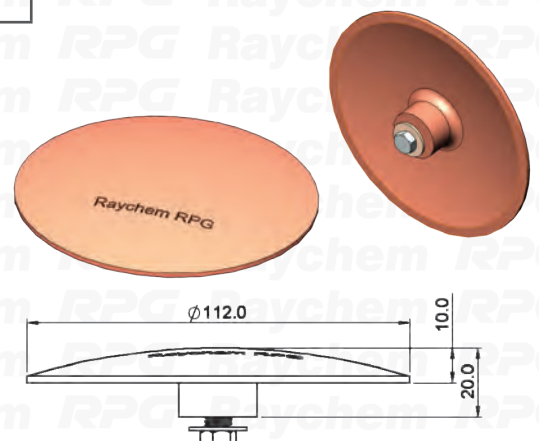
| Product Code | | Nominal dia. in mm | Thread Size | Length mm |
|--------------|-----------|--------------------|-------------|-----------|
| Copper # | Aluminium | | | |
| RAR -01 | RARA -01 | 15 | M16 | 300 |
| RAR -02 | RARA -02 | 15 | M16 | 500 |
| RAR -03 | RARA -03 | 15 | M16 | 1000 |
| RAR -04 | RARA -04 | 15 | M16 | 1500 |
| RAR -05 | RARA -05 | 15 | M16 | 2000 |
| RAR -06 | RARA -06 | 19 | M20 | 300 |
| RAR -07 | RARA -07 | 19 | M20 | 500 |
| RAR -08 | RARA -08 | 19 | M20 | 1000 |
| RAR -09 | RARA -09 | 19 | M20 | 1500 |
| RAR -10 | RARA -10 | 19 | M20 | 2000 |

- Grade of Copper used is ETP - Cu, having 99.9% purity.
- It is recommended to use Raychem's Guy Wire Support Flange for Air Rod over 1000 mm.



2.1.2. Multipoint

| Product Code | | Product Name |
|--------------|-----------|----------------------------------|
| Copper Alloy | Aluminium | |
| RMP-01 | RMPA - 01 | Multipoint Set for 15mm dia. rod |
| RMP-02 | RMPA - 02 | Multipoint Set for 19mm dia. rod |



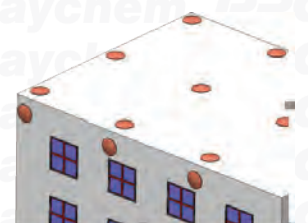
2.1.3. Strike Pad

Used where it is not possible to install conductor on the roof or side of a building. A typical application would be on the roof of a car park where the conductor is laid underneath the tarmac and the strike pads fitted on top.

Material: High Strength Copper Alloy

| Part Code | Dia |
|-----------|--------|
| RASP-01 | 112 mm |

- Additional accessories (Stem, Locknut, etc..) can be provided as per request.

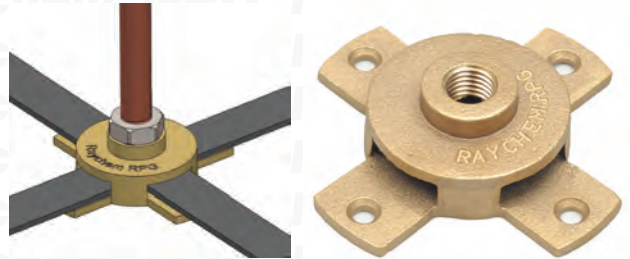


2.1.4. Air Terminal Base

Base: Tape Type

Electrical connection between air terminal rod and down conductor.

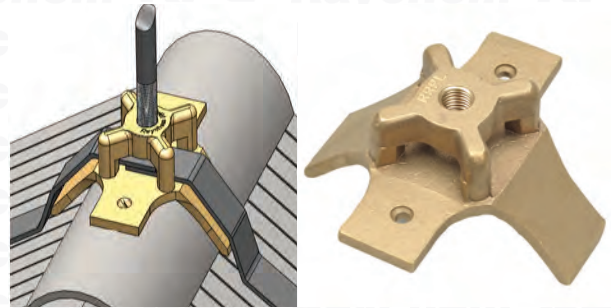
| Product Code | | Thread Dia | Tape in mm |
|--------------|-----------|------------|------------|
| Copper Alloy | Aluminium | | |
| # RAT-01 | RATA-01 | M16 | 25 x 3 |
| # RAT-03 | RATA-03 | M20 | 25 x 3 |



Ridge Saddle: Tape Type

Used to provide support to the Air terminal rod on roof ridges.

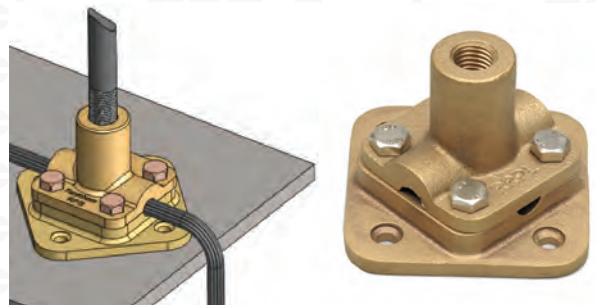
| Product Code | | Thread Dia. | Max. Tape Size in mm |
|--------------|-----------|-------------|----------------------|
| Copper Alloy | Aluminium | | |
| RRS-01 | RRSA-01 | M16 | 30 x 6 |
| RRS-03 | RRSA-03 | M20 | 30 x 6 |



Conductor Type

Electrical connection between air terminal rod and down conductor (conductor).

| Product Code | | Cross Section in mm ² | Threading Dia. |
|--------------|------------|----------------------------------|----------------|
| Copper Alloy | Aluminium | | |
| RAT – 101 | RATA – 101 | 50 | M16 |
| RAT – 102 | RATA – 102 | 50 | M20 |
| RAT – 103 | RATA – 103 | 70 | M16 |
| RAT – 104 | RATA – 104 | 70 | M20 |
| RAT – 105 | RATA – 105 | 95 | M16 |
| RAT – 106 | RATA – 106 | 95 | M20 |



2. LIGHTNING PROTECTION

Side Mounting Rod Brackets

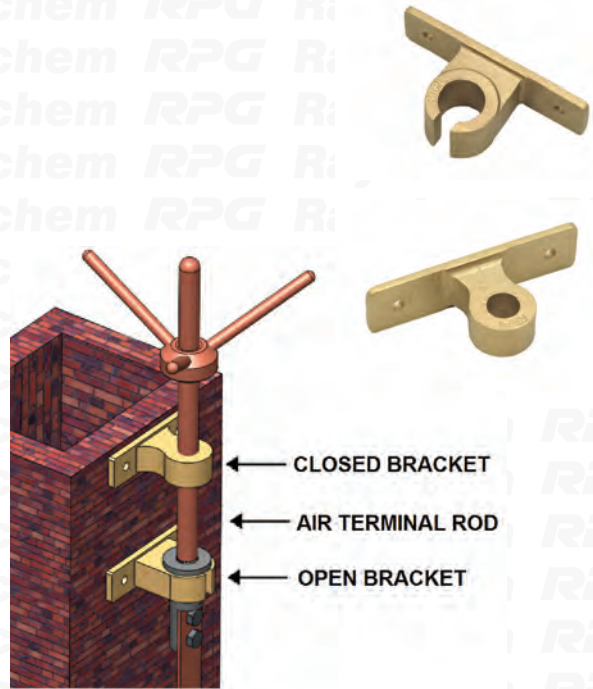
Used to provide support to the Air terminal rod on side / wall mounting.

Open Type Bracket

| Product Code (Open Type) | | Rod Dia. in mm |
|--------------------------|-----------|----------------|
| Copper Alloy | Aluminium | |
| RROB-01 | RROBA-01 | 15 |
| RROB-02 | RROBA-02 | 19 |

Closed Type Bracket

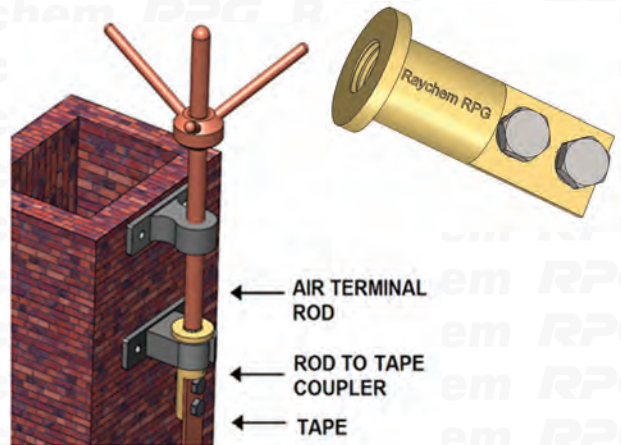
| Product Code (Closed Type) | | Rod Dia. in mm | Tape Size in mm |
|----------------------------|-----------|----------------|-----------------|
| Copper Alloy | Aluminium | | |
| RRCB-01 | RRCBA-01 | 15 | 25x3 |
| RRCB-02 | RRCBA-02 | 19 | 25x3 |



Connection Clamp: Rod to Tape Coupling

Used to provide coupling support to the Air terminal rod to Tape on side / wall mounting bracket.

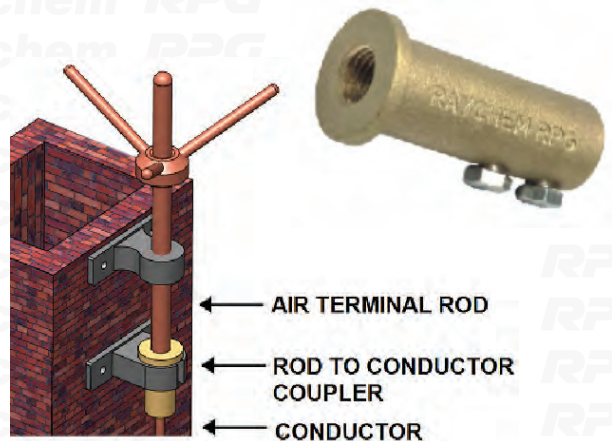
| Product Code | | Thread dia. | Tape Size in mm |
|--------------|-----------|-------------|-----------------|
| Copper Alloy | Aluminium | | |
| RTC-01 | RTCA-01 | M16 | 25x3 |
| RTC-03 | RTCA-03 | M20 | 25x3 |



Connection Clamp: Rod to Cable Coupling

Used to provide coupling support to the Air terminal rod to Cable / conductor on side / wall mounting bracket.

| Product Code | | Thread Dia. | C / S Range in mm ² |
|--------------|-----------|-------------|--------------------------------|
| Copper Alloy | Aluminium | | |
| RRC-01 | RRCA-01 | M16 | 35 - 95 |
| RRC-02 | RRCA-02 | M20 | 35 - 95 |



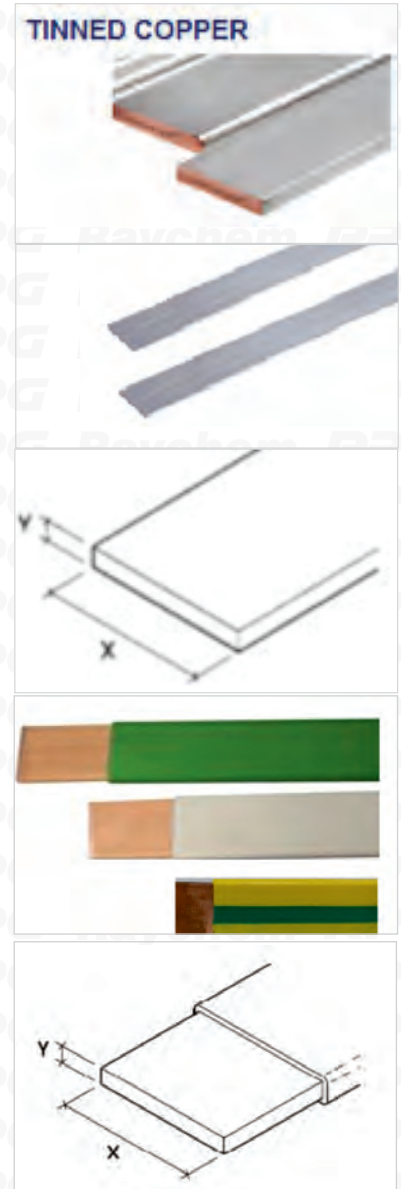
2.2. Down Conductor Network

2.2.1. Down Conductors - Tape

- Tape provides least resistance path from lightning fault current to ground earth pit.
- PVC Insulation provides protection against shock while carrying fault current of bare conductor

| Product Code | | | | Bare Tape (X * Y) mm |
|--------------|----------------------|-----------|--------------------|------------------------|
| Bare Tape | | | PVC Covered Copper | |
| Copper | Tinned Coated Copper | Aluminium | | |
| RBCT - 01 | RTCT-01 | RBAT - 01 | RPCT-01 | 12.5 x 1.5 |
| RBCT - 02 | RTCT-02 | RBAT - 02 | RPCT-02 | 12.5 x 3 |
| # RBCT - 03 | # RTCT-03 | RBAT - 03 | RPCT-03 | 20 x 1.5 |
| # RBCT - 04 | # RTCT-04 | RBAT - 04 | RPCT-04 | 20 x 3 |
| # RBCT - 05 | # RTCT-05 | RBAT - 05 | RPCT-05 | 25 x 1.5 |
| # RBCT - 06 | # RTCT-06 | RBAT - 06 | RPCT-06 | 25 x 3 |
| # RBCT - 07 | # RTCT-07 | RBAT - 07 | RPCT-07 | 25 x 4 |
| # RBCT - 08 | # RTCT-08 | RBAT - 08 | RPCT-08 | 25 x 6 |
| # RBCT - 09 | # RTCT-09 | RBAT - 09 | RPCT-09 | 30 x 3 |
| # RBCT - 10 | # RTCT-10 | RBAT - 10 | RPCT-10 | 30 x 6 |
| # RBCT - 11 | # RTCT-11 | RBAT - 11 | RPCT-11 | 38 x 3 |
| # RBCT - 12 | # RTCT-12 | RBAT - 12 | RPCT-12 | 38 x 5 |
| # RBCT - 13 | # RTCT-13 | RBAT - 13 | RPCT-13 | 38 x 6 |
| # RBCT - 14 | # RTCT-14 | RBAT - 14 | RPCT-14 | 40 x 4 |
| # RBCT - 15 | # RTCT-15 | RBAT - 15 | RPCT-15 | 40 x 6 |
| # RBCT - 16 | # RTCT-16 | RBAT - 16 | RPCT-16 | 50 x 3 |
| # RBCT - 17 | # RTCT-17 | RBAT - 17 | RPCT-17 | 50 x 4 |
| # RBCT - 18 | # RTCT-18 | RBAT - 18 | RPCT-18 | 50 x 6 |
| # RBCT - 19 | # RTCT-19 | RBAT - 19 | RPCT-19 | 30 x 2 |
| # RBCT - 20 | # RTCT-20 | RBAT - 20 | RPCT-20 | 30 x 4 |
| # RBCT - 21 | # RTCT-21 | RBAT - 21 | RPCT-21 | 30 x 5 |
| # RBCT - 22 | # RTCT-22 | RBAT - 22 | RPCT-22 | 31 x 6 |
| # RBCT - 23 | # RTCT-23 | RBAT - 23 | RPCT-23 | 40 x 5 |
| # RBCT - 24 | # RTCT-24 | RBAT - 24 | RPCT-24 | 50 x 5 |

- Representative products colours as per BS 5252.
- PVC Sheath colour needs to be specified clearly while placing PO.
- Grade of Copper used is ETP - Cu, having 99.9% purity.



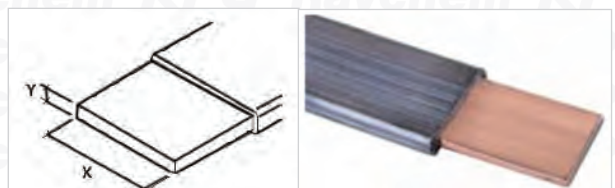
- Representative products tested for IEC 62561-2:2018.
- Tinplating is only for aesthetic reasons.

Lead Covered Copper Tape

Lead-covered (Pb), high conductivity, annealed 25 x 3mm flat copper earthing tape.

Lead covered for use in highly contaminated areas.

Pb-covered lead-copper tape is annealed for ultimate ductility and has radiused edges.



| Product Code | Tape Size in mm |
|--------------|-----------------|
| RLST-06 | 25 x 3 |

- Material: Copper to BS EN 13601 (formerly BS 1432).
- Customized cross section available on customer request

2. LIGHTNING PROTECTION

DOWN CONDUCTORS - STRANDED CONDUCTOR & SHEATHED

Bare Stranded Copper Conductor

- Copper stranded copper conductor provides least resistance path from lightning fault current to ground earth pit.
- Sheathed Insulation provides protection against shock while carrying fault current of bare conductor.



| Bare Stranded Product Code | Sheathed Conductor Product Code | C/S Area in Sq.mm |
|----------------------------|---------------------------------|-------------------|
| RBSCC - 4 | RPSCC - 4 | 4 |
| RBSCC - 6 | RPSCC - 6 | 6 |
| RBSCC - 10 | RPSCC - 10 | 10 |
| RBSCC - 16 | RPSCC - 16 | 16 |
| RBSCC - 25 | RPSCC - 25 | 25 |
| RBSCC - 35 | RPSCC - 35 | 35 |
| RBSCC - 50 | RPSCC - 50 | 50 |
| RBSCC - 70 | RPSCC - 70 | 70 |
| RBSCC - 95 | RPSCC - 95 | 95 |
| RBSCC - 120 | RPSCC - 120 | 120 |
| RBSCC - 150 | RPSCC - 150 | 150 |
| RBSCC - 185 | RPSCC - 185 | 185 |
| RBSCC - 240 | RPSCC - 240 | 240 |
| RBSCC - 300 | RPSCC - 300 | 300 |
| RBSCC - 400 | RPSCC - 400 | 400 |

- Grade of Copper used is ETP - Cu, having 99.9% purity.
- PVC Sheath colour needs to be specified clearly while placing PO.

Bare Solid Conductor

Copper solid copper conductor provides least resistance path from lightning fault current to ground earth pit.



| Product Code | C/S Area in Sq.mm |
|--------------|-------------------|
| RBSC - 50 | 50 |
| RBSC - 70 | 70 |

- Grade of Copper used is ETP - Cu, having 99.9% purity.

Hard Drawn Copper Flat

Hard drawn copper flat bars suitable for used as copper bus bars.



| Product Code | C/S Area in mm |
|--------------|----------------|
| RHCT-01 | 25 x 3 |
| RHCT-02 | 25 x 6 |
| RHCT-03 | 38 x 6 |
| RHCT-04 | 50 x 6 |
| RHCT-05 | 50 x 10 |
| RHCT-06 | 75 x 6 |
| RHCT-07 | 100 x 6 |

2.2.2. Clamping Accessories

D.C. Tape Clip – Tape Type

It provides support to the down conductor tape and is rigid enough to withstand mechanical stresses, lightning stresses, and thermal expansion and contraction of the conductor tapes.



| Product Code | | Copper Tape / Strip Size in mm |
|----------------|-----------|--------------------------------|
| Copper Alloy # | Aluminium | |
| RDC - 01 | RDCA - 01 | 20 x 3 |
| RDC - 02 | RDCA - 02 | 25 x 3 |
| RDC - 03 | RDCA - 03 | 25 x 4 |
| RDC - 04 | RDCA - 04 | 25 x 6 |
| RDC - 05 | RDCA - 05 | 31 x 3 |
| RDC - 06 | RDCA - 06 | 31 x 6 |
| RDC - 07 | RDCA - 07 | 38 x 3 |
| RDC - 08 | RDCA - 08 | 38 x 5 |
| RDC - 09 | RDCA - 09 | 38 x 6 |
| RDC - 10 | RDCA - 10 | 50 x 3 |
| RDC - 11 | RDCA - 11 | 50 x 4 |
| RDC - 12 | RDCA - 12 | 50 x 6 |
| RDC - 13 | RDCA - 13 | 50 x 8 |
| RDC - 17 | RDCA - 17 | 30 x 5 |
| RDC - 18 | RDCA - 18 | 40 x 5 |
| RDC - 19 | RDCA - 19 | 31 x 7 |
| RDC - 20 | RDCA - 20 | 50 x 5 |



* Representative products tested for IEC 62561-2:2018

Tape Clip – Tape Type

It supports tape / strip on the flat surface.

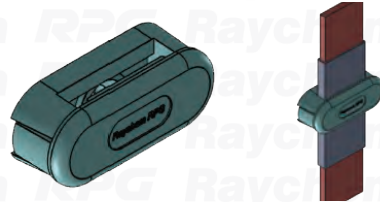


| Product Code | | Conductor Size in mm |
|--------------|------------|----------------------|
| Copper | Aluminium | |
| RTC - 101 | RTCA - 101 | 20 x 3 |
| RTC - 102 | RTCA - 102 | 25 x 3 |
| RTC - 103 | RTCA - 103 | 50 x 6 |
| RTC - 106 | RTCA - 106 | 31 x 6 |

Non Metallic D.C. Tape Clip

It provides support to the PVC insulated tape and is rigid enough to withstand mechanical stresses, lightning stresses, and thermal expansion and contraction of the conductor tapes.

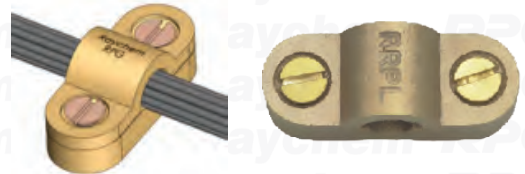
Material : Polyamide, UV Resistant



| Product Code | Tape Size in mm | Colour | Tape |
|--------------|-----------------|--------|--------------------|
| RDGP - 01 | 25 x 3 | Grey | PVC Insulated Tape |
| RDGP - 02 | 25 x 3 | Grey | Bare Copper Tape |

Heavy Duty Conductor Saddle

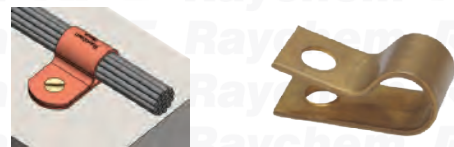
It uses in conjunction wall mounted air terminal bases.



| Product Code | | Conductor Dia. in Sq. mm |
|--------------|-------------|--------------------------|
| Copper Alloy | Aluminium | |
| RHDS - 50 | RHDSA - 50 | 50 |
| RHDS - 70 | RHDSA - 70 | 70 |
| RHDS - 95 | RHDSA - 95 | 95 |
| RHDS - 240 | RHDSA - 240 | 240 |
| RHDS - 120 | RHDSA - 120 | 120 |

One Hole Clip

It supports round conductor on the flat surface



| Product Code | | Conductor in Sq.mm |
|--------------|-----------|--------------------|
| Copper | Aluminium | |
| RHC-01 | RHCA-01 | 25 - 35 |
| RHC-02 | RHCA-02 | 50 - 70 |
| RHC-03 | RHCA-03 | 95 |
| RHC-04 | RHCA-04 | 120 |
| RHC-05 | RHCA-05 | 150 |
| RHC-06 | RHCA-06 | 185 |
| RHC-07 | RHCA-07 | 240 |
| RHC-08 | RHCA-08 | 300 |

2. LIGHTNING PROTECTION

Back Plate Holdfast Clamp

It's required for installation of tape / conductor, when the tape/conductor is to be secured away from the face of wall.

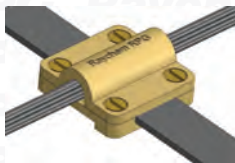
Note: This should be used with appropriate D.C Tape Clip / Conductor Saddle.



| Product Code | Material |
|--------------|--------------|
| RBPH - 01 | Copper Alloy |
| RBPH - 02 | Aluminium |
| RBPH - 03 | Brass |

Square Clamp - Tape To Conductor

Square Clamp are used to cross joints between the tape to solid conductor.



| Product Code | Tape Size | Conductor Size in Sq. mm. |
|---------------------|---------------|---------------------------|
| Copper Alloy | Copper | |
| RTSC-70253 | 25X3 | 70 |



Square Tape Clamp (Type 1)

Square tape clamp are used for supporting or fixing the 4-Way connection.

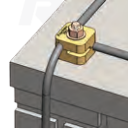


| Product Code | | Copper Tape / Strip size in mm |
|--------------|-----------|--------------------------------|
| Copper Alloy | Aluminium | |
| RSC-01 | RSCA-01 | 20 x 3 |
| RSC-02 | RSCA-02 | 25 x 3 |
| RSC-04 | RSCA-04 | 25 x 6 |
| RSC-05 | RSCA-05 | 38 x 3 |
| RSC-07 | RSCA-07 | 38 x 6 |
| RSC-08 | RSCA-08 | 50 x 3 |
| RSC-09 | RSCA-09 | 50 x 6 |



Square Conductor Clamp - Type 1

Square conductor clamps are used for supporting or fixing the 3 - way connections on down conductor and an effective low resistive connection between overlapping conductors.



| Product Code | | Conductor Size. in Sq.mm |
|--------------|------------|--------------------------|
| Copper Alloy | Aluminium | |
| RSC - 101 | RSCA - 101 | 35 |
| RSC - 102 | RSCA - 102 | 50 |
| RSC - 103 | RSCA - 103 | 70 |
| RSC - 104 | RSCA - 104 | 95 |



Square Conductor Clamp - Type 2

Square conductor Clamps are used for supporting or fixing the 4 - way connections on down conductor and an effective low resistive connection between overlapping conductors.



| Product Code | | Conductor C/S in Sq.mm |
|--------------|-----------|------------------------|
| Copper Alloy | Aluminium | |
| RSC-201 | RSCA-201 | 35 |
| RSC-202 | RSCA-202 | 50 |
| RSC-203 | RSCA-203 | 70 |
| RSC-204 | RSCA-204 | 95 |
| RSC-205 | RSCA-205 | 120 |



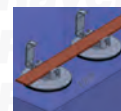
Self Adhesive D.C. Tape Clip

It secures conductors to surfaces that cannot be penetrated by a screw.

Suitable for aluminum, copper, Insulated tapes. Applicable for glass, Perspex, enamel and stainless steel etc.

Disc Dia.: 85mm

Material: Polyamide base with Polyamide clip, UV Resistant.



| Product Code | Tape Size in mm |
|--------------|-----------------|
| RSADC-253 | 25 X 3 |

Compound for Self Adhesive D.C. Tape Clip: Very High Bond (VHB) Double Sided Foam Type

1. Very conformable, double-sided, pressure-sensitive, closed-cell acrylic foam tape.
2. High strength, Durable and Clean appearance.

Tee Clamp

It provides effective low resistance cross joints in solid circular conductor networks.

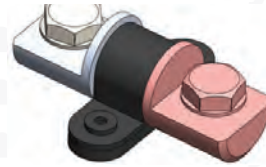


| Product Code | | Conductor in Sq.mm |
|--------------|-----------|--------------------|
| Copper Alloy | Aluminium | |
| RTC-135 | RTCA-35 | 35 |
| RTC-150 | RTCA-150 | 50-95 |



Bi-Metallic Connector

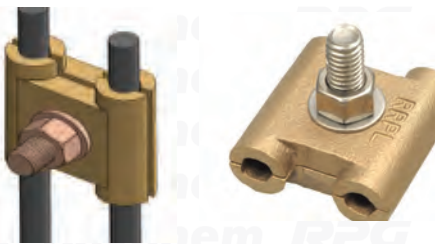
Bi-Metallic connectors are used to join aluminium and copper tapes / cables together. They enable a neat and practical jointing method without the need for tinning, riveting or wrapping the joint.



| Product Code | Tape Size in mm |
|--------------|-----------------|
| RBMC - 01 | 20 x 3 |
| RBMC - 02 | 25 x 3 |

Jointing Clamp

It provides effective low resistance cross joints in solid circular conductor networks.

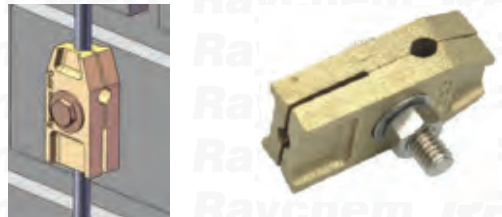


| Product Code | | Conductor Dia. in mm |
|--------------|-----------|----------------------|
| Copper Alloy | Aluminium | |
| RJC-01 | RJCA-01 | 8 |



Interface Test Clamp

Provides an effective low resistance connection and disconnection between overlapping conductors.



| Product Code | | Conductor dia. mm | Conductor Size in mm |
|--------------|------------|-------------------|----------------------|
| Copper Alloy | Aluminium | | |
| RITC - 01 | RITCA - 01 | 8 | 25 x 3 |



Plate Test Clamp

It's used for supporting or fixing the 4 - way connections on down conductor and an effective low resistive connection between overlapping conductors.



| Product Code | | Tape Size in mm |
|--------------|-----------|-----------------|
| Copper Alloy | Aluminium | |
| RPC - 33 | RPCA - 33 | 25 x 3 |



Screwdown Test Clamp

It's used to create a disconnection joint between the down conductor system with 4 - way connections and earthing system.



| Product Code | | Tape Size in mm |
|--------------|------------|-----------------|
| Copper Alloy | Aluminium | |
| RSC - 253 | RSCA - 253 | 25 x 3 |



2. LIGHTNING PROTECTION

2.2.3. Bonding Components

Earth Boss

Stainless Steel Earth Boss

The Earth Boss is manufactured from Stainless Steel SS304 / SS316.

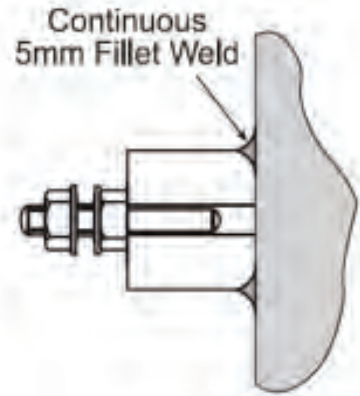
| Length in mm | Dia. in mm |
|--------------|------------|
| 25 | 25 |
| 30 | 30 |
| 30 | 40 |
| 30 | 50 |
| 40 | 30 |
| 40 | 40 |
| 40 | 50 |
| 50 | 30 |
| 50 | 40 |
| 50 | 50 |

Product Key:

REB X XX (XXX)



1. Material:
S – Stainless Steel
2. Size – (Length x Diameter)
3. Thread Size - (As per customer requirement.)



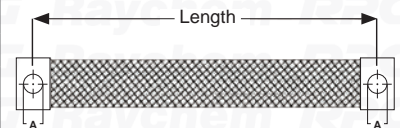
Braid

Flexible / Circular Braid

Raychem RPG Manufacturers flexible bonding conductors / flexible earth braid as per IEC 62561-2:2018, BS EN 50164-2:2009 & BS 7430.

Flat Flexible Earth Braid

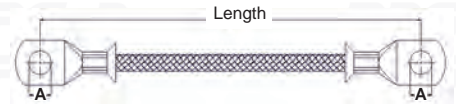
| Product Code | Product Code | Cross Section Area | Nominal Dimension | Length of Braid | Hole Diameter (A) |
|-----------------|-----------------|--------------------|-------------------|-----------------|-------------------|
| Bare | Tinned | Sq.mm | mm | mm | mm |
| RBCB 200-6-7 | RTCB 200-6-7 | 6 | 12 x 1 | 200 | 7 |
| RBCB 400-6-7 | RTCB 400-6-7 | 6 | 12 x 1 | 400 | 7 |
| RBCB 200-10-7 | RTCB 200-10-7 | 10 | 15 x 1.5 | 200 | 7 |
| RBCB 400-10-7 | RTCB 400-10-7 | 10 | 15 x 1.5 | 400 | 7 |
| RBCB 200-16-9 | RTCB 200-16-9 | 16 | 19 x 2.5 | 200 | 9 |
| RBCB 400-16-9 | RTCB 400-16-9 | 16 | 19 x 2.5 | 400 | 9 |
| RBCB 200-25-11 | RTCB 200-25-11 | 25 | 25 x 3.0 | 200 | 11 |
| RBCB 400-25-11 | RTCB 400-25-11 | 25 | 25 x 3.0 | 400 | 11 |
| RBCB 200-35-11 | RTCB 200-35-11 | 35 | 25 x 3.5 | 200 | 11 |
| RBCB 400-35-11 | RTCB 400-35-11 | 35 | 25 x 3.5 | 400 | 11 |
| RBCB 200-50-11 | RTCB 200-50-11 | 50 | 30 x 5.0 | 200 | 11 |
| RBCB 400-50-11 | RTCB 400-50-11 | 50 | 30 x 5.0 | 400 | 11 |
| RBCB 200-70-13 | RTCB 200-70-13 | 70 | 32 x 6.0 | 200 | 13 |
| RBCB 400-70-13 | RTCB 400-70-13 | 70 | 32 x 6.0 | 400 | 13 |
| RBCB 200-95-13 | RTCB 200-95-13 | 95 | 37 x 6.0 | 200 | 13 |
| RBCB 400-95-13 | RTCB 400-95-13 | 95 | 37 x 6.0 | 400 | 13 |
| RBCB 200-120-17 | RTCB 200-120-17 | 120 | 45 x 6.0 | 200 | 17 |
| RBCB 400-120-17 | RTCB 400-120-17 | 120 | 45 x 6.0 | 400 | 17 |
| RBCB 200-150-17 | RTCB 200-150-17 | 150 | 50 x 8.0 | 200 | 17 |
| RBCB 400-150-17 | RTCB 400-150-17 | 150 | 50 x 8.0 | 400 | 17 |



- Grade of Copper used is ETP - Cu, having 99.9% purity.
- Customised **Sizes** and **Length** available as per the request.

Circular Flexible Earth Braid

| Product Code | Product Code | Cross Section Area | Length of Braid | Hole Diameter (A) |
|-----------------|-----------------|--------------------|-----------------|-------------------|
| Bare | Tinned | Sq.mm | mm | Amps |
| RBCCB 200-6-7 | RTCCB 200-6-7 | 6 | 200 | 7 |
| RBCCB 400-6-7 | RTCCB 400-6-7 | 6 | 400 | 7 |
| RBCCB 200-10-7 | RTCCB 200-10-7 | 10 | 200 | 7 |
| RBCCB 400-10-7 | RTCCB 400-10-7 | 10 | 400 | 7 |
| RBCCB 200-16-9 | RTCCB 200-16-9 | 16 | 200 | 9 |
| RBCCB 400-16-9 | RTCCB 400-16-9 | 16 | 400 | 9 |
| RBCCB 200-25-11 | RTCCB 200-25-1 | 25 | 200 | 11 |
| RBCCB 400-25-11 | RTCCB 400-25-11 | 25 | 400 | 11 |
| RBCCB 200-35-11 | RTCCB 200-35-1 | 35 | 200 | 11 |
| RBCCB 400-35-11 | RTCCB 400-35-11 | 35 | 400 | 11 |
| RBCCB 200-50-11 | RTCCB 200-50-1 | 50 | 200 | 11 |
| RBCCB 400-50-11 | RTCCB 400-50-11 | 50 | 400 | 11 |
| RBCCB 200-70-13 | RTCCB 200-70-13 | 70 | 200 | 13 |
| RBCCB 400-70-13 | RTCCB 400-70-13 | 70 | 400 | 13 |
| RBCCB 200-95-13 | RTCCB 200-95-13 | 95 | 200 | 13 |
| RBCCB 400-95-13 | RTCCB 400-95-13 | 95 | 400 | 13 |



- Grade of Copper used is ETP - Cu, having 99.9% purity.
- Customised Sizes and Length available as per the request.

Watermain Pipe Bond – Tape Type

Water main Pipe Bonds are used for bonding metallic water main pipes and copper tapes to earthing system. They are used for bonding large diameter pipes and tape to earthing system.

| Product Code | | Max. Tape Width in mm | Conductor Tape Material |
|--------------|-----------|-----------------------|-------------------------|
| Copper Alloy | Aluminium | | |
| RWP - 01 | RWPA - 01 | 26 | Copper / Aluminium |
| RWP - 03 | RWPA - 03 | 31 | Copper / Aluminium |



Rain Water Pipe Bond – Tape Type

Rain Water Pipe Bonds are used for bonding metallic rain water pipes and tapes to earthing system.

For use with Solid Tapes

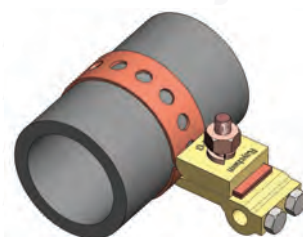
| Product Code | | Max. Tape Width in mm | Conductor Tape Material |
|--------------|-----------|-----------------------|-------------------------|
| Copper Alloy | Aluminium | | |
| RRP – 01 | RRPA – 01 | 26 | Copper / Aluminium |
| RRP – 03 | RRPA – 03 | 38 | Copper / Aluminium |



For use with Bare Solid Conductor and Perforated tape

| Product Code | Conductor Size in mm | Material |
|--------------|----------------------|--|
| RRP-101-XXX | 8 | Copper Alloy with Perforated copper tape |

- XXX - Pipe Dia. in mm
- For bonding to ducts and large Dia. of pipe works.
- Perforated Strip can be supplied separately in 50m Roll.



2. LIGHTNING PROTECTION

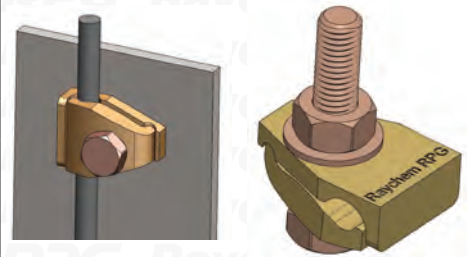
2.2.4. Additional Accessories

Tower Earth Clamp

Bonding for copper conductors onto steel surfaces.

The double plate design provides robust fixing in areas cladding may be installed or the entire surface may be covered with cement.

| Product Code | | Conductor Range in Sq. mm | Channel Thickness in mm | Bolt Size |
|--------------|-----------|---------------------------|-------------------------|-----------|
| Copper Alloy | Aluminium | | | |
| RTB – 01 | RTBA – 01 | 16-70 | 10 | M10 |
| RTB – 02 | RTBA – 02 | 70-120 | 10 | M12 |
| RTB – 03 | RTBA – 03 | 25-50 | 10 | M10 |
| RTB – 04 | RTBA – 04 | 120-185 | 10 | M12 |
| RTB – 05 | RTBA – 05 | 185-240 | 10 | M12 |



B Bond Clamp

Bonding for tape to steel surfaces.

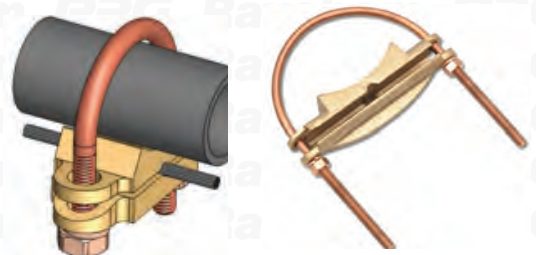
| Product Code | | Max. Tape Size in mm | Bolt Size | Conductor Tape Material |
|--------------|-----------|----------------------|-----------|-------------------------|
| Copper Alloy | Aluminium | | | |
| RBB – 01 | RBBA – 01 | 26 | M10 | Copper |
| RBB – 03 | RBBA – 03 | 31 | M10 | Copper |



Pipe Clamp (Type 1)

Bonding for conductor to pipe. It provides earth continuity to pipelines.

| Product Code | | Pipe Dia. in Inch | Conductor in Sq.mm |
|--------------|------------|-------------------|--------------------|
| Copper Alloy | Aluminium | | |
| RPC – 101 | RPCA – 101 | 1/2" - 1" | 25 - 95 |
| RPC – 102 | RPCA – 102 | 1.1/4" - 2" | 25 - 95 |
| RPC – 103 | RPCA – 103 | 2.1/2" - 3.1/2" | 25 - 95 |
| RPC – 104 | RPCA – 104 | 4" - 5" | 25 - 95 |
| RPC – 105 | RPCA – 105 | 6" | 25 - 95 |
| RPC – 106 | RPCA – 106 | 8" | 25 - 95 |
| RPC – 107 | RPCA – 107 | 10" | 25 - 95 |
| RPC – 108 | RPCA – 108 | 12" | 25 - 95 |



Pipe Clamp (Type 2)

Bonding for conductor to pipe. It provides earth continuity to pipelines.

| Product Code | | Pipe Size in Inch | Conductor Range in Sq. mm |
|--------------|-----------|-------------------|---------------------------|
| Copper Alloy | Aluminium | | |
| RPC – 01 | RPCA – 01 | 1/2"-1" | Up to 16 |
| RPC – 02 | RPCA – 02 | 1¼" – 2" | Up to 16 |
| RPC – 03 | RPCA – 03 | 2½" – 4" | Up to 16 |



Split Connector Clamp

Direct connection of stranded cables lugs to earth rods and most suitable for unthreaded / threaded rods.

Unthreaded Clamp:

| Product Code | | Nominal Rod Dia. in mm |
|--------------|------------|------------------------|
| Copper Alloy | Aluminium | |
| RSBU – 01 | RSBUA – 01 | 9.5 |
| RSBU – 02 | RSBUA – 02 | 12.7 |
| RSBU – 03 | RSBUA – 03 | 14.2 |
| RSBU – 04 | RSBUA – 04 | 17.2 |
| RSBU – 05 | RSBUA – 05 | 25.4 |



Threaded Clamp:

| Product Code | | Earth Rod Size in UNC Thread |
|--------------|------------|------------------------------|
| Copper Alloy | Aluminium | |
| RSBT – 01 | RSBTA – 01 | 3/8" |
| RSBT – 02 | RSBTA – 02 | 1/2" |
| RSBT – 03 | RSBTA – 03 | 5/8" |
| RSBT – 04 | RSBTA – 04 | 3/4" |
| RSBT – 05 | RSBTA – 05 | 1" |

3.

EARTHING PROTECTION

3. EARTHING PROTECTION

3.1. Earthing And Grounding Solutions

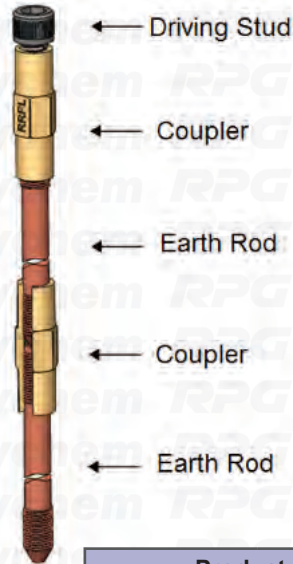
3.1.1. Copper Bonded Earth Rod & Accessories

Externally Threaded

Protective earthing of commercial and industrial buildings by dispersing the lightning flashes and fault currents of distribution to the earth.

| Product Code (254 microns) | Shank Dia.mm | Earth Rod Size in UNC Thread | Rod Length in mm |
|-------------------------------|--------------|------------------------------|------------------|
| RET - 01 | 12.7 | 9/16" | 1200 |
| RET - 02 | 12.7 | 9/16" | 1500 |
| RET - 03 | 12.7 | 9/16" | 1800 |
| # RET - 04 | 12.7 | 9/16" | 2440 |
| # RET - 05 | 12.7 | 9/16" | 3050 |
| RET - 06 | 14.2 | 5/8" | 1200 |
| RET - 07 | 14.2 | 5/8" | 1500 |
| RET - 08 | 14.2 | 5/8" | 1800 |
| # RET - 09 | 14.2 | 5/8" | 2440 |
| # RET - 10 | 14.2 | 5/8" | 3050 |
| RET - 15 | 17.2 | 3/4" | 1200 |
| RET - 16 | 17.2 | 3/4" | 1500 |
| RET - 17 | 17.2 | 3/4" | 1800 |
| # RET - 18 | 17.2 | 3/4" | 2440 |
| # RET - 19 | 17.2 | 3/4" | 3050 |

- For Copper plating thickness <254 microns.



Driving Stud:

The driving stud is used as the impact bearing head when deep driving of earth electrode is required.

| Product Code | Earth Rod Size in UNC Thread |
|--------------|------------------------------|
| RID - 01 | 5 / 8" |
| RID - 02 | 3 / 4" |
| RID - 03 | 9/16" |

Coupler:

Coupler used to combine two / more earth rods.

| Product Code | | Earth Rod Size in UNC Thread |
|--------------|-------------|------------------------------|
| Brass | Al. Bronze | |
| RECBR - 01 | # RECB - 01 | 9/16" |
| RECBR - 02 | # RECB - 02 | 5 / 8" |
| RECBR - 03 | # RECB - 03 | 3/4" |

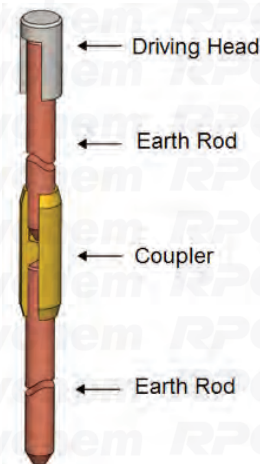


UnThreaded

Protective earthing of commercial and industrial buildings by dispersing the lightning flashes and fault currents of distribution to the earth.

| Product Code (254 microns) | Earth Rod Dia. in mm | Rod Length in mm |
|-------------------------------|----------------------|------------------|
| REU - 04 | 12.7 | 1200 |
| REU - 05 | 12.7 | 1500 |
| REU - 06 | 12.7 | 1800 |
| # REU - 07 | 12.7 | 2440 |
| # REU - 08 | 12.7 | 3050 |
| REU - 09 | 14.2 | 1200 |
| REU - 10 | 14.2 | 1500 |
| REU - 11 | 14.2 | 1800 |
| # REU - 12 | 14.2 | 2440 |
| # REU - 13 | 14.2 | 3050 |
| REU - 14 | 17.2 | 1200 |
| REU - 15 | 17.2 | 1500 |
| REU - 16 | 17.2 | 1800 |
| # REU - 17 | 17.2 | 2440 |
| # REU - 18 | 17.2 | 3050 |

- For Copper plating thickness <254 microns.



Driving Head:

The driving stud is used as the impact bearing head when deep driving of earth electrode is required.

| Product Code | Earth Rod Size in UNC Thread |
|--------------|------------------------------|
| RDH - 01 | 12.7 |
| RDH - 02 | 14.2 |
| RDH - 03 | 17.2 |

Coupler:

Coupler used to combine two / more earth rods.

| Product Code | | Earth Rod Size in UNC Thread |
|--------------|------------|------------------------------|
| Brass | Al. Bronze | |
| REBU - 01 | RECU - 01 | 12.7 |
| REBU - 02 | RECU - 02 | 14.2 |
| REBU - 03 | RECU - 03 | 17.2 |

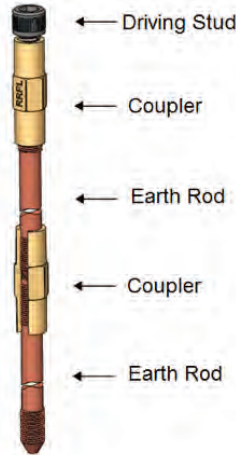


3.1.2. Solid Copper Earth Rod & Accessories

Externally Threaded

Solid Copper Earth rods used in protective earthing of commercial and industrial buildings by dispersing the lightning flashes and fault currents of distribution to the earth.

| Product Code | Earth Rod Size in UNC Thread | Shank Dia. in mm | Length in mm |
|--------------|------------------------------|------------------|--------------|
| RES-01 | 9/16" | 12.7 | 1200 |
| RES-02 | 9/16" | 12.7 | 1500 |
| RES-03 | 9/16" | 12.7 | 1800 |
| # RES-04 | 9/16" | 12.7 | 2440 |
| # RES-05 | 9/16" | 12.7 | 3050 |
| RES-06 | 5/8" | 14.2 | 1200 |
| RES-07 | 5/8" | 14.2 | 1500 |
| RES-08 | 5/8" | 14.2 | 1800 |
| # RES-09 | 5/8" | 14.2 | 2440 |
| # RES-10 | 5/8" | 14.2 | 3050 |
| RES-11 | 5/8" | 16 | 1200 |
| RES-12 | 5/8" | 16 | 1800 |
| # RES-13 | 5/8" | 16 | 2440 |
| # RES-14 | 5/8" | 16 | 3050 |
| RES-15 | 3/4" | 17.2 | 1200 |
| RES-16 | 3/4" | 17.2 | 1500 |
| RES-17 | 3/4" | 17.2 | 1800 |
| # RES-18 | 3/4" | 17.2 | 2440 |
| # RES-19 | 3/4" | 17.2 | 3050 |



Driving Stud:

The driving stud is used as the impact bearing head when deep driving of earth electrode is required.

| Product Code | Earth Rod Dia. | |
|--------------|----------------|-------|
| | UNC Thread | In mm |
| RID - 01 | 5 / 8 | 14.2 |
| RID - 02 | 3 / 4 | 17.2 |
| RID - 03 | 9 / 16 | 12.7 |

Coupler:

Coupler is used to combine two / more earth rods.

| Earth Rod Size in UNC Thread | Product Code | |
|------------------------------|--------------|-------------|
| | Brass | Al. Bronze |
| 9/16 | RECBR - 01 | # RECB - 01 |
| 5 / 8 | RECBR - 02 | # RECB - 02 |
| 3/4 | RECBR - 03 | # RECB - 03 |

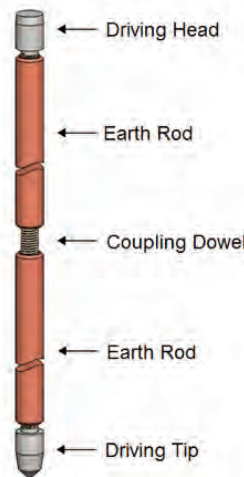
- Representative products tested for **IEC 62561-2:2018**
- Grade of Copper used is ETP - Cu, having 99.9% purity.
- Earth Rods available in Stainless Steel AISI 316 UL Listed. Add "S" for SS earth rods (e.g. RESS / RISS).



Internally Threaded

Solid Copper Earth rods used in protective earthing of commercial and industrial buildings by dispersing the lightning flashes and fault currents of distribution to the earth.

| Product Code | Thread Dia. | Shank Dia. in mm | Length in mm |
|--------------|-------------|------------------|--------------|
| RIS-01 | M10 | 15 | 1200 |
| RIS-07 | M10 | 15 | 1500 |
| RIS-02 | M10 | 15 | 1800 |
| # RIS-03 | M10 | 15 | 2440 |
| # RIS-08 | M10 | 15 | 3050 |
| RIS-04 | M12 | 20 | 1200 |
| RIS-09 | M12 | 20 | 1500 |
| RIS-05 | M12 | 20 | 1800 |
| # RIS-06 | M12 | 20 | 2440 |
| # RIS-10 | M12 | 20 | 3050 |
| RIS-11 | M10 | 16 | 1200 |
| RIS-12 | M10 | 16 | 1500 |
| RIS-13 | M10 | 16 | 1800 |
| # RIS-14 | M10 | 16 | 2440 |
| # RIS-15 | M10 | 16 | 3050 |
| RIS-16 | M12 | 19 | 1200 |
| RIS-17 | M12 | 19 | 1500 |
| RIS-18 | M12 | 19 | 1800 |
| # RIS-19 | M12 | 19 | 2440 |
| # RIS-20 | M12 | 19 | 3050 |



Driving Head:

The driving stud is used as the impact bearing head when deep driving of earth electrode is required.

| Product Code | Earth Rod Dia. in mm | Thread Size |
|--------------|----------------------|-------------|
| RDS - 02 | 15 | M10 |
| RDS - 03 | 20 | M12 |
| RDS - 04 | 16 | M10 |
| RDS - 05 | 19 | M12 |

Coupling Dowell:

Coupler dowell used to combine two / more earth rods.

| Product Code | Earth Rod Dia. in mm |
|--------------|----------------------|
| RIC - 01 | 15 |
| RIC - 02 | 20 |
| RIC - 03 | 16 |
| RIC - 04 | 19 |

Driving Tip:

Driving Tip is used as the bottom of the earth rod.

| Product Code | Earth Rod Dia. in mm |
|--------------|----------------------|
| RIT - 01 | 15 |
| RIT - 02 | 20 |
| RIT - 03 | 16 |
| RIT - 04 | 19 |

- Grade of Copper used is ETP - Cu, having 99.9% purity.
- The Earth Rods can be supplied with tinplating of 1µm. The tinplating is only for aesthetic reasons.
- Earth Rods available in Stainless Steel AISI 316 UL Listed. Add "S" for SS earth rods (e.g. RESS / RISS).

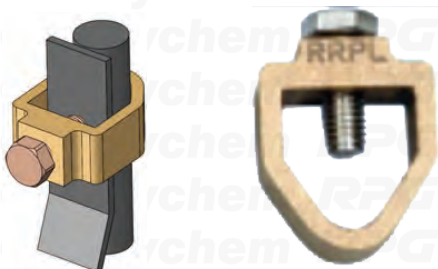


3. EARTHING PROTECTION

3.2. Clamps & Bonds

Rod to Tape Clamp (Type A)

Rod to Cable Clamp is used for providing a secure connection between the down conductor cable and the earth rod.

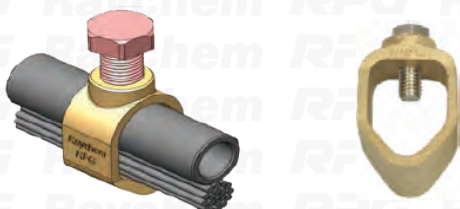


| Product Code | | Earth Rod Size in UNC Thread | Max. Tape In mm |
|--------------|-----------|------------------------------|-----------------|
| Copper Alloy | Aluminium | | |
| RCA - 01 | RCAA - 01 | 1/2" | 26 x 12 |
| RCA - 02 | RCAA - 02 | 5/8" | 26 x 12 |
| RCA - 03 | RCAA - 03 | 3/4" | 26 x 10 |
| RCA - 04 | RCAA - 04 | 5/8" | 30 x 2 |
| RCA - 05 | RCAA - 05 | 3/4" | 30 x 2 |
| RCA - 06 | RCAA - 06 | 5/8" | 40 x 12 |
| RCA - 07 | RCAA - 07 | 5/8" | 51 x 8 |
| RCA - 08 | RCAA - 08 | 3/4" | 51 x 12 |
| RCA - 09 | RCAA - 09 | 1/2" | 26 x 20 |
| RCA - 10 | RCAA - 10 | 5/8" | 26 x 18 |
| RCA - 11 | RCAA - 11 | 1" | 26 x 10 |



Rod to Cable Clamp (Type G)

Rod to Cable Clamp is used for providing a secure connection between the down conductor cable and the earth rod.

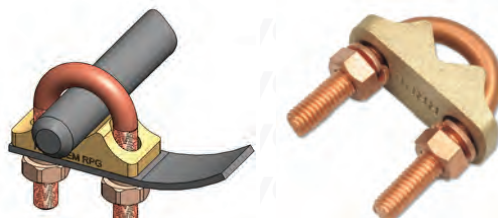


| Product Code | | Earth Rod Size in UNC Thread | Cross Section in Sq. mm |
|--------------|-----------|------------------------------|-------------------------|
| Copper Alloy | Aluminium | | |
| RCG - 01 | RCGA - 01 | 3/8" | 6 - 35 |
| RCG - 02 | RCGA - 02 | 1/2" | 16 - 50 |
| RCG - 03 | RCGA - 03 | 5/8" | 16 - 70 |
| RCG - 04 | RCGA - 04 | 3/4" | 16 - 95 |
| RCG - 05 | RCGA - 05 | 1" | 70 - 120 |
| RCG - 06 | RCGA - 06 | 1.1/2" | 120 - 150 |



U-Bolt : Single Plate Type For Horizontal Flat Tape (Type "E")

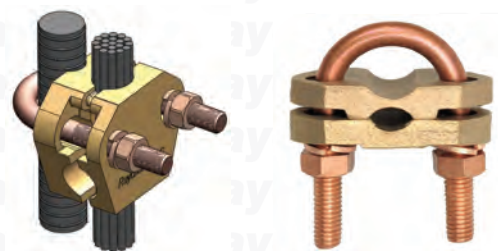
U-bolt Clamps- Single Plate Type is used for providing a secure connection between the horizontal tape and the earth rod.



| Product Code | | Earth Rod Size in UNC Thread | Hole Centre In mm |
|--------------|-----------|------------------------------|-------------------|
| Copper Alloy | Aluminium | | |
| RUE - 01 | RUEA - 01 | 5/8" | 37 |
| RUE - 02 | RUEA - 02 | 3/4" | 37 |
| RUE - 03 | RUEA - 03 | 1" | 37 |
| RUE - 04 | RUEA - 04 | 1.1/2" | 54 |
| RUE - 05 | RUEA - 05 | 2" | 64 |

U-Bolt : Double Plate Type for Vertical Stranded Cable Type

U-bolt Clamps- Double Plate Type for Vertical Stranded Cable Type GUV is used for providing a secure connection between the down conductor vertical stranded cable and the earth rod.



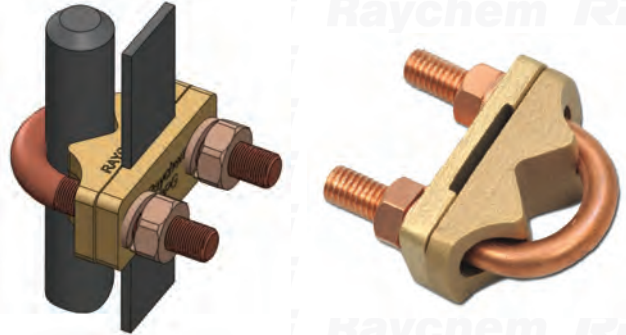
| Product Code | | Earth Rod Size in UNC Thread | Conductor Range in Sq. mm |
|--------------|-----------|------------------------------|---------------------------|
| Copper Alloy | Aluminium | | |
| RUC - 01 | RUCA - 01 | 5/8" | 35 - 120 |
| RUC - 02 | RUCA - 02 | 5/8" | 120 - 300 |
| RUC - 03 | RUCA - 03 | 3/4" | 35 - 120 |
| RUC - 04 | RUCA - 04 | 3/4" | 120 - 300 |
| RUC - 05 | RUCA - 05 | 1" | 35 - 120 |
| RUC - 06 | RUCA - 06 | 1" | 120 - 300 |



U-Bolt : Double Plate Type Vertical Flat Tape (Type “E”)

U-bolt Clamps- Double Plate Type is used for providing a secure connection between the vertical tape and the steel reinforcement bar.

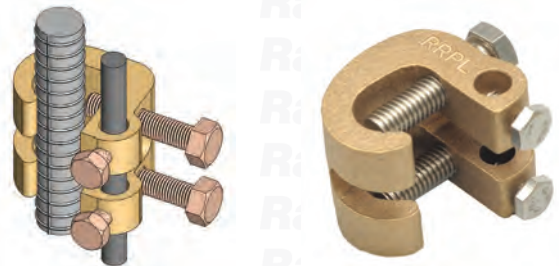
| Product Code | | Earth Rod Size in UNC Thread | Tape Size in mm |
|--------------|-----------|------------------------------|-----------------|
| Copper Alloy | Aluminium | | |
| RUD - 01 | RUDA - 01 | 5/8" | 25 x 3 |
| RUD - 02 | RUDA - 02 | 3/4" | 25 x 3 |
| RUD - 03 | RUDA - 03 | 1" | 25 x 3 |
| RUD - 04 | RUDA - 04 | 1.1/2" | 25 x 3 |
| RUD - 05 | RUDA - 05 | 2" | 25 x 3 |



Rebar Clamps

Rebar Clamp is used for providing a secure connection between the down conductor cable and reinforcing bar, steam pipes, handrails etc.

| Product Code | | Conductor Dia. in mm | Rebar Dia. in mm |
|--------------|------------|----------------------|------------------|
| Copper Alloy | Aluminium | | |
| RREC - 01 | RRECA - 01 | 8 | 8 - 18 |
| RREC - 02 | RRECA - 02 | 8 | 8 - 38 |



Denso Tape: Anti-Corrosive Petrolatum Tape

It is highly resistant to mineral acids, alkalis, salts and micro – organism and highly impermeable to water and water vapor and gases.

- Used for protection of buried or exposed pipes, rods, cables, valves from metal fittings from corrosion.
- Temperature Range :
For Application : 5° to 55°
For Service : -20° to 70°

| Product Code | Length in m | Thickness in mm | Width in mm | Breaking Strength | Elongation at Break | Weight |
|--------------|-------------|-----------------|-------------|-------------------|---------------------|-------------------------|
| RDT-10 | 10 | 1.15 | 50 | 200N / 50m | 10% avge | 1.44kg / m ² |



3. EARTHING PROTECTION

3.3. Earth Lattice

Earth Lattice used, where touch and step potential could cause a problem.

| Product Code | | Lattice Size in mm | No. of Strips |
|------------------|---------------------------|--------------------|---------------|
| ETP Grade Copper | Stainless Steel (SS 316L) | | |
| REL - 01 | RELS - 01 | 500 x 500 x 2 | 10 |
| REL - 02 | RELS - 02 | 500 x 500 x 3 | 10 |
| REL - 03 | RELS - 03 | 500 x 500 x 5 | 10 |
| REL - 04 | RELS - 04 | 600 x 600 x 2 | 10 |
| REL - 05 | RELS - 05 | 600 x 600 x 3 | 10 |
| REL - 06 | RELS - 06 | 600 x 600 x 5 | 10 |
| REL - 07 | RELS - 07 | 900 x 900 x 2 | 10 |
| REL - 08 | RELS - 08 | 900 x 900 x 3 | 10 |
| REL - 09 | RELS - 09 | 900 x 900 x 5 | 10 |
| REL - 10 | RELS - 10 | 1000 x 1000 x 2 | 12 |
| REL - 11 | RELS - 11 | 1000 x 1000 x 3 | 12 |
| REL - 12 | RELS - 12 | 1000 x 1000 x 5 | 12 |

Note : Customized sizes can be available as per the request.



3.4. Solid Earth Plate

Solid Earth Plate is ideally suitable where soil conditions are very corrosive, such as soil with high salt and moisture content.

| Product Code | | Plate Size in mm |
|------------------|---------------------------|-------------------|
| ETP Grade Copper | Stainless Steel (SS 316L) | |
| REP - 01 | REPS - 01 | 500 x 500 x 1.5 |
| REP - 02 | REPS - 02 | 500 x 500 x 3 |
| REP - 03 | REPS - 03 | 600 x 600 x 1.5 |
| REP - 04 | REPS - 04 | 600 x 600 x 3 |
| REP - 05 | REPS - 05 | 900 x 900 x 1.5 |
| REP - 06 | REPS - 06 | 900 x 900 x 3 |
| REP - 07 | REPS - 07 | 1000 x 1000 x 1.5 |
| REP - 08 | REPS - 08 | 1000 x 1000 x 3 |

Note : Customized sizes can be available as per the request.



3.5. Earth Inspection Housing Pits

3.5.1. Concrete Inspection Pit

This facilitates periodic inspection of the connection for corrosion and regular maintenance, to ensure the safety of personnel and equipment from earth fault currents and the high currents injected into the earth by a lightning protection system.



| Product Code | Dimensions in mm | Rated Load Kg |
|--------------|-----------------------------|---------------|
| RIP - 33 | 325 (L) x 325 (W) x 190 (D) | 3500 |

3.5.2. Light weight Inspection Pit

Manufactured from high-performance, UV stable and chemically resistant polymer with either polymer or concrete lid to suit the application.



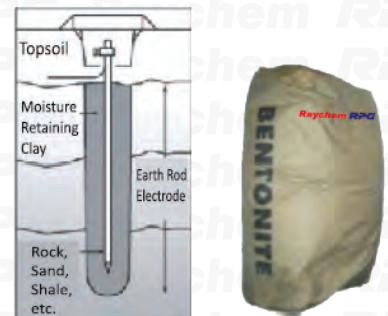
| Product Code | Dimension in mm | Rated Load Kg |
|--------------|--------------------------|---------------|
| REP - 33 | 200 (Dia.) x 156 (Depth) | 5000 kg |



- Representative products tested for IEC 62561-2:2018

3.6. Earth Enhancing Compound

This Earth enhancing compound used as an earth electrode backfill to reduce soil resistivity. The clay is a sodium activated montmorillonite, which when mixed with water swells to many times its dry volume. It has the ability to hold its moisture content for a considerable period of time and to absorb moisture from the surrounding soil. (e.g. rain fall)



| Product Code | Description | Weight (kg.) |
|--------------|---|--------------|
| RBM - 33 | Bentonite Moisture Retaining Clay | 25 |
| RBFC - 33 | Backfill Earth Enhancing Compound with Pre-Mixed Concrete | 25 |

3.7. Inspection Housing Earth Bar

These earth bars fit into the slots provided in the concrete inspection housing and are used when multiple connections to the earth rod are required.

| Product Code | Hole Dia. in mm | No of Holes | Application |
|--------------|-----------------|-------------|----------------------|
| RIH - 01 | 11 | 5 | Refer product RIP-33 |
| RIH - 02 | 11 | 7 | Refer product RIP-33 |
| RIH - 03 | 11 | 5 | Refer product REP-33 |
| RIH - 04 | 11 | 7 | Refer product REP-33 |



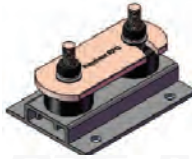
- Grade of Copper used is ETP - Cu, having 99.9% purity.
- Earth Bar cross section (30 x 6)mm.

3. EARTHING PROTECTION

3.8. Additional Accessories

3.8.1. Earth Bar With Disconnecting Link

Disconnecting Link / Test Link

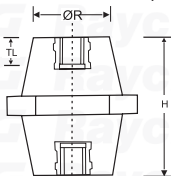


| Description | Part Code | Total Length | Total Width | Total Height |
|--------------------|-----------|--------------|-------------|--------------|
| Disconnecting Link | RDL-01 | 125mm | 90mm | 77mm |

Standoff Insulators

Standoff Insulators combine high mechanical strength with high arc resistance and dielectric properties at elevated temperatures and humidity.

Material: DMC (Dough Moulding Compound).



| Product Code | Dimensions | | | | Nominal Voltage (AC / DC) |
|---------------|------------|------------|------------|------------------|---------------------------|
| | Rt Ø mm | Rb Ø mm | TL Ø mm | Height (H) mm | |
| RH 1045 (M10) | 40 | 32 | 12 | 45 | 1000 / 1200 |
| RH 1050 (M10) | 46 | 35.5 | 17 | 50 | 1200 / 1500 |

Insert: Brass and Mild Steel. TL: Effective Length

Earth Bar



| Description | Total Length in mm | Total Width in mm | Total Height in mm | Part No. |
|-------------|--------------------|-------------------|--------------------|----------|
| 6 way | 400 | 90 | 77 | RREB-6 |
| 8 way | 500 | 90 | 77 | RREB-8 |
| 10 way | 650 | 90 | 77 | RREB-10 |
| 12 way | 750 | 90 | 77 | RREB-12 |
| 14 way | 850 | 90 | 77 | RREB-14 |
| 16 way | 950 | 90 | 77 | RREB-16 |
| 18 way | 1050 | 90 | 77 | RREB-18 |
| 20 way | 1200 | 90 | 77 | RREB-20 |
| 22 way | 1300 | 90 | 77 | RREB-22 |
| 24 way | 1400 | 90 | 77 | RREB-24 |
| 26 way | 1500 | 90 | 77 | RREB-26 |
| 28 way | 1650 | 90 | 77 | RREB-28 |
| 30 way | 1750 | 90 | 77 | RREB-30 |

- Grade of Copper used is ETP - Cu, having 99.9% purity.
- Earth Bar cross section (50 X 6)mm.
- The Earth bar can be supplied with tinplating.
- For Tinned Earth Bar add suffix "T" part code. Ex. RREBT

Fasteners:

Fasteners for earthing components are selected from recommended standard BS 7430:2015.

Earth Bar with Single Disconnecting Link



| Description | Total Length in mm | Total Width in mm | Total Height in mm | Part No. |
|-------------|--------------------|-------------------|--------------------|-----------|
| 6 way | 475 | 90 | 77 | RREB-1-6 |
| 8 way | 575 | 90 | 77 | RREB-1-8 |
| 10 way | 725 | 90 | 77 | RREB-1-10 |
| 12 way | 825 | 90 | 77 | RREB-1-12 |
| 14 way | 925 | 90 | 77 | RREB-1-14 |
| 16 way | 1025 | 90 | 77 | RREB-1-16 |
| 18 way | 1125 | 90 | 77 | RREB-1-18 |
| 20 way | 1275 | 90 | 77 | RREB-1-20 |
| 22 way | 1375 | 90 | 77 | RREB-1-22 |
| 24 way | 1475 | 90 | 77 | RREB-1-24 |
| 26 way | 1575 | 90 | 77 | RREB-1-26 |
| 28 way | 1725 | 90 | 77 | RREB-1-28 |
| 30 way | 1825 | 90 | 77 | RREB-1-30 |

Earth Bar with Twin Disconnecting Link



| Description | Total Length in mm | Total Width in mm | Total Height in mm | Part No. |
|-------------|--------------------|-------------------|--------------------|-----------|
| 6 way | 550 | 90 | 77 | RREB-2-6 |
| 8 way | 650 | 90 | 77 | RREB-2-8 |
| 10 way | 800 | 90 | 77 | RREB-2-10 |
| 12 way | 900 | 90 | 77 | RREB-2-12 |
| 14 way | 1000 | 90 | 77 | RREB-2-14 |
| 16 way | 1100 | 90 | 77 | RREB-2-16 |
| 18 way | 1200 | 90 | 77 | RREB-2-18 |
| 20 way | 1350 | 90 | 77 | RREB-2-20 |
| 22 way | 1450 | 90 | 77 | RREB-2-22 |
| 24 way | 1550 | 90 | 77 | RREB-2-24 |
| 26 way | 1650 | 90 | 77 | RREB-2-26 |
| 28 way | 1800 | 90 | 77 | RREB-2-28 |
| 30 way | 1900 | 90 | 77 | RREB-2-30 |

Telecom Earth Bar

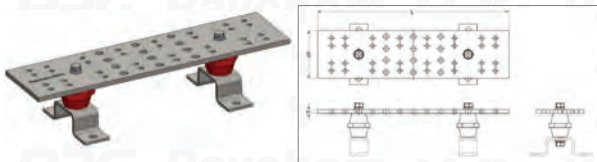
Telecommunication grounding earth bar manufactured according to TIA 607C: 2015. The grounding earth bar provides a common grounding point within the telecommunications room and is typically located on walls within a data room.

Primary Earth Bar: Primary Earth Bar used for termination to earth inspection pit.

| Part Code (Tinned) | Length in mm | Width in mm | Total Height in mm | No. of Pairs of pairs |
|--------------------|--------------|-------------|--------------------|-----------------------|
| RTMGB-16-8T | 400 | 100 | 109 | 16 |

Tin Coating only for asthetic purpose only

Grade of Copper used is ETP - Cu, having 99.9% purity.



Secondary Earth Bar: Secondary Earth Bar used for bonding to the sub distribution boards.

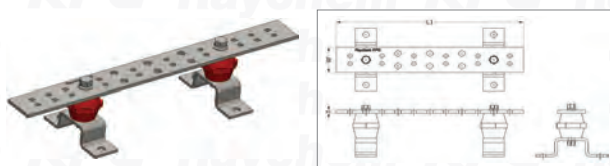
| Part Code (Tinned) | Part Code (Bare) | Length in mm | Width in mm | Total Height in mm | No. of Pairs of pairs |
|--------------------|------------------|--------------|-------------|--------------------|-----------------------|
| RTGB-6T | RTGB-6 | 305 | 50 | 107 | 6 |
| RTGB-8T | RTGB-8 | 407 | 50 | 107 | 8 |
| RTGB-10T | RTGB-10 | 458 | 50 | 107 | 10 |
| RTGB-12T | RTGB-12 | 508 | 50 | 107 | 12 |
| RTGB-14T | RTGB-14 | 610 | 50 | 107 | 14 |

Tin Coating only for asthetic purpose only

Grade of Copper used is ETP - Cu, having 99.9% purity.

Fasteners:

Fasteners for earthing components are selected from recommended standard BS 7430:2015.



Earth Rod Seal

Raychem RPG earth seal is a versatile solution to effectively block ingress of ground water into the earthing systems which are installed below ground. Unique features of this solution is..

- Combines with heavy duty polymer inspection pit
- Accommodates a wide range of earth rods – copper bonded / solid copper rods
- Effortless installation
- Compact kit with very few components
- Comprehensive sealing on earth rod, protective pipe & membrane
- Available in options of Single flange / double flange.
- Complies with BS EN / IEC 62561-5 & BS EN / IEC 62305-3
(Sustains 80psi or 5 Bar pressure equivalent to 55m head of water)
- Earth seal comprise of ..
 - Double Flange seal : Earth rod seal, pipe seal & DPM seal
 - Single Flange seal: Earth rod seal, pipe seal.
- Use along with clean, smooth Type “A” membrane.
- Supplied with standard protective uPVC tube of 1.5m. Can be customized as per customer requirement.



Earth Rod Seal



Membrane Seal



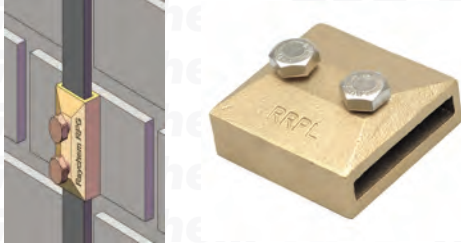
Earth Seal Tube

| Flange Type | Product Code | Earth Rod Size |
|--------------------|--------------|----------------|
| Single Flange Seal | RSFS-58 | 5/8" (14.2 mm) |
| | RSFS-34 | 3/4" (17.2 mm) |
| | RSFS-15 | 15 mm |
| | RSFS-16 | 16 mm |
| | RSFS-20 | 20 mm |
| Double Flange Seal | RDFS-58 | 5/8" (14.2 mm) |
| | RDFS-34 | 3/4" (17.2 mm) |
| | RDFS-15 | 15 mm |
| | RDFS-16 | 16 mm |
| | RDFS-20 | 20 mm |

3.9. Test Link

Oblong Test Clamp

Provides an effective low resistance connection and disconnection between overlapping tape / strip conductors.
Material: High Strength Copper Alloy



| Product Code | Conductor Size in mm | Material |
|--------------|----------------------|--------------|
| ROC – 01 | 26 x 8 | Copper Alloy |
| ROC – 02 | 38 x 6 | Copper Alloy |
| ROC – 03 | 51 x 10 | Copper Alloy |



Test Clamp

Provides an effective low resistance connection and disconnection between overlapping conductors.



| Product Code | | Conductor Size in Sq mm |
|--------------|------------|-------------------------|
| Copper Alloy | Aluminium | |
| RRCT – 01 | RRCTA – 01 | 35 |
| RRCT – 02 | RRCTA – 02 | 50 |
| RRCT – 03 | RRCTA – 03 | 70 |
| RRCT – 04 | RRCTA – 04 | 95 |



Earth Point with Prewelded Tail

Direct connection to earth conductors or down conductors.

The earth points enable connection to internal rebar arrangements via mechanical clamps as per BS EN 1982:2009 & BS 7430.



Product Key : REPT-XX-YY-ZZZZ

XX - Earth Point no. (Refer below table for selection)

YY - Cu. Conductor C/S Area in sq. mm

ZZZZ - Length of conductor in mm

Earth Points

Material: High Strength Copper Alloy

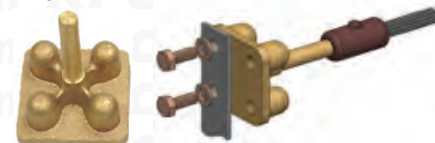
1 HOLE



2 HOLE



4 HOLE



| Earth Point No. (XX) | Product Code | Material | Hole Size in mm |
|----------------------|--------------|--------------|-----------------|
| 1 HOLE | | | |
| 01 | RBP – 01 | Copper Alloy | M8 |
| 02 | RBP – 02 | Copper Alloy | M10 |
| 03 | RBP – 03 | Copper Alloy | M12 |
| 04 | RBP – 04 | Copper Alloy | M16 |
| 2 HOLE | | | |
| 05 | RBP – 05 | Copper Alloy | M8 |
| 06 | RBP – 06 | Copper Alloy | M10 |
| 4 HOLE | | | |
| 07 | RBP – 07 | Copper Alloy | M8 |
| 08 | RBP – 08 | Copper Alloy | M10 |

Note: All sizes available in pre-welded tail

4. EXOTHERMIC WELDING

4. EXOTHERMIC WELDING

4.1. Introduction

- The exothermic welding process is a simple, efficient method of permanently bonding of copper to copper or copper to steel.
- Exothermic welded joint carries more Tensile strength than mechanical connections, can be quality controlled simply by visual inspection.
- The Exothermic connection provides permanent conductivity over the whole of the section due to molecular bonding between the metal surfaces.
- This system is very field friendly since it is light and portable and requires no outside power.

Mould:

Each Arrestek graphite mould produces a unique type of joint.

Weld Powder:

Produce high quality electrical connections between different metals (Copper to Copper / Copper to Steel).

Ignition Powder:

Ignition Powder is used to provide initial flame to the weld powder. It is sprinkled on the top of weld powder.

Steel Retaining Disc:

The disc acts as timing device to allow the welding powder to heat to proper temperature. Steel Disc is designed to contain the exothermic reaction to the upper crucible of a mold until the reaction is complete and ready to Welding.

Flint Gun / Igniter:

Used to ignite & initiate in exothermic Reaction.

Hand Gloves:

Used to provide safety high temperature resistant gloves while working on the exothermic reaction.

Handle Clamp:

To clamp the two/three part mould together (or) clamping the mould to the surface to which a connection is to be made.

Mould Brush:

Used for cleaning the scrap on mould after weld joints are completed.



Kit contains all the items required for the safe and efficient operation of exothermic weld.

4.2. Installation Guidelines:

The Arrestek exothermic welding process is a simple, self-contained method of forming high quality electrical connections. The compact process requires no external power or heat source making it completely portable. Connections are made inside a semi-permanent graphite mould using the high temperature reaction of powdered copper oxide and aluminium.

This is how it works:

The Mould (1) features a Crucible (2), a Tap Hole (3) and a Weld Cavity (4).

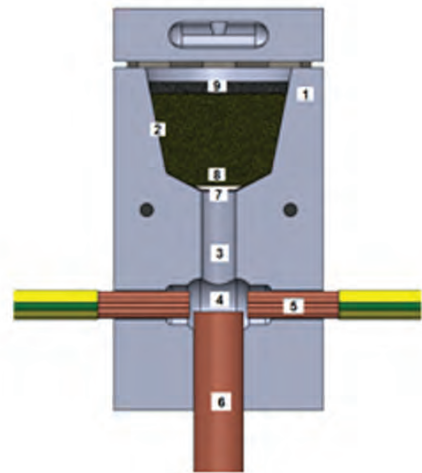
The conductors (5) and (6) to be joined are located in the weld cavity as shown, and the mould is closed. A steel Retaining Disc (7) is located in the bottom of the crucible to retain the Weld Powder (8) and Ignition Powder (9) which are poured in on top.

Ignited with a spark gun, the starting powder sets off an exothermic reaction in the weld powder, reducing it to molten copper alloy. This instantaneously melts the retaining disc, and flows down the tap hole, to the weld cavity, where it partially melts the conductors, before cooling to leave a fusion weld of great mechanical strength and electrical integrity.

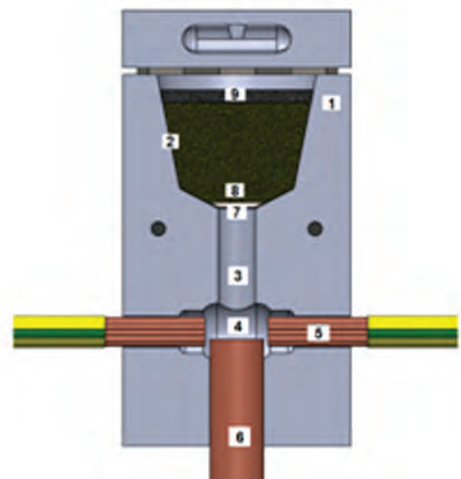
The majority of Arrestek weld connections have at least twice the cross sectional area of the conductors being joined, and an equivalent or greater current carrying capacity.

Because the connection is a fusion of high conductivity, high copper content alloy, it will withstand repeated fault currents, and will not loosen in the way that mechanical connectors can. Corrosion resistance too, is exceptional, due to the alloy's very high copper content (in excess of 90%).

WELD CONNECTION

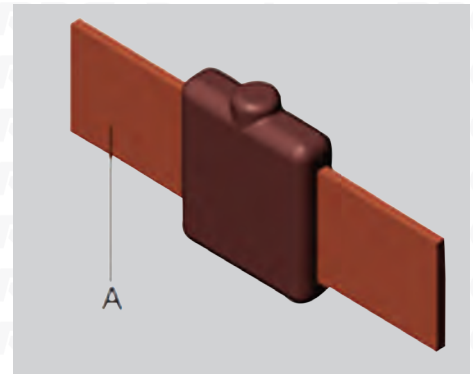


WELD OUTPUT



*** BAR TO BAR RBB1**

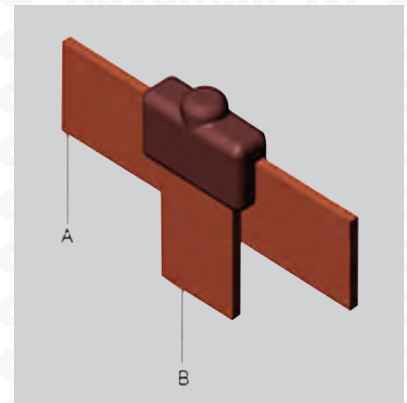
| A mm x mm | Weld & Ignition Powder | Mould |
|--------------|---------------------------|---------------|
| 20 x 2 | RWP 045 | RBB1-R4-202 |
| 20 x 3 | RWP 045 | RBB1-R4-203 |
| 20 x 5 | RWP 065 | RBB1-R4-205 |
| 25 x 2 | RWP 065 | RBB1-R4-252 |
| 25 x 3 | RWP 065 | RBB1-R4-253 |
| 25 x 4 | RWP 090 | RBB1-R4-254 |
| 25 x 6 | RWP 150 | RBB1-R4-256 |
| 30 x 2 | RWP 065 | RBB1-R4-302 |
| 30 x 3 | RWP 090 | RBB1-R4-303 |
| 30 x 4 | RWP 115 | RBB1-R4-304 |
| 30 x 5 | RWP 115 | RBB1-R4-305 |
| 31 x 3 | RWP 065 | RBB1-R4-313 |
| 31 x 6 | RWP 115 | RBB1-R4-316 |
| 38 x 3 | RWP 150 | RBB1-R4-383 |
| 38 x 5 | RWP 150 | RBB1-R4-385 |
| 38 x 6 | RWP 200 | RBB1-R4-386 |
| 40 x 3 | RWP 115 | RBB1-R4-403 |
| 40 x 4 | RWP 150 | RBB1-R4-404 |
| 40 x 5 | RWP 150 | RBB1-R4-405 |
| 40 x 6 | RWP 200 | RBB1-R4-406 |
| 40 x 10 | RWP 250 | RBB1-R4-4010 |
| 50 x 3 | RWP 150 | RBB1-R4-503 |
| 50 x 4 | RWP 200 | RBB1-R4-504 |
| 50 x 5 | RWP 200 | RBB1-R4-505 |
| 50 x 6 | RWP 250 | RBB1-R4-506 |
| 50 x 8 | 2 x RWP 150 | RBB1-R5-508 |
| 50 x 10 | 2 x RWP 200 | RBB1-R5-5010 |
| 60 x 5 | RWP 250 | RBB1-R4-605 |
| 60 x 6 | RWP 250 | RBB1-R4-606 |
| 60 x 8 | 2 x RWP200 | RBB1-R5-608 |
| 60 x 10 | 2 x RWP 250 | RBB1-R5-6010 |
| 80 x 5 | 2 x RWP 200 | RBB1-R5-805 |
| 80 x 6 | 2 x RWP 200 | RBB1-R5-806 |
| 80 x 8 | 2 x RWP 250 | RBB1-R5-808 |
| 80 x 10 | 3 x RWP 200 | RBB1-R5-8010 |
| 100 x 5 | 2 x RWP 250 | RBB1-R5-1005 |
| 100 x 10 | 3 x RWP 250 | RBB1-R5-10010 |



* Representative sizes shown in here. Other sizes are also available on request.

* BAR TO BAR RBB3

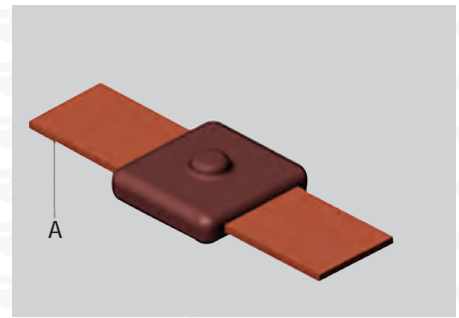
| A mm x mm | B mm x mm | Weld & Ignition Powder | Mould |
|--------------|--------------|---------------------------|--------------|
| 20 x 2 | 20 x 2 | RWP 045 | RBB3-R4-202 |
| 20 x 3 | 20 x 3 | RWP 065 | RBB3-R4-203 |
| 20 x 5 | 20 x 5 | RWP 065 | RBB3-R4-205 |
| 25 x 2 | 25 x 2 | RWP 065 | RBB3-R4-252 |
| 25 x 3 | 25 x 3 | RWP 065 | RBB3-R4-253 |
| 25 x 4 | 25 x 4 | RWP 090 | RBB3-R4-254 |
| 25 x 6 | 25 x 6 | RWP 150 | RBB3-R4-256 |
| 30 x 2 | 30 x 2 | RWP 065 | RBB3-R4-302 |
| 30 x 3 | 30 x 3 | RWP 090 | RBB3-R4-303 |
| 30 x 4 | 30 x 4 | RWP 115 | RBB3-R4-304 |
| 30 x 5 | 30 x 5 | RWP 115 | RBB3-R4-305 |
| 31 x 3 | 31 x 3 | RWP 115 | RBB3-R4-313 |
| 31 x 6 | 31 x 6 | RWP 200 | RBB3-R4-316 |
| 38 x 3 | 38 x 3 | RWP 115 | RBB3-R4-383 |
| 38 x 5 | 38 x 5 | RWP 150 | RBB3-R4-385 |
| 38 x 6 | 38 x 6 | RWP 200 | RBB3-R4-386 |
| 40 x 3 | 40 x 3 | RWP 115 | RBB3-R4-403 |
| 40 x 4 | 40 x 4 | RWP 150 | RBB3-R4-404 |
| 40 x 5 | 40 x 5 | RWP 150 | RBB3-R4-405 |
| 40 x 6 | 40 x 6 | RWP 200 | RBB3-R4-406 |
| 40 x 10 | 40 x 10 | 2 X RWP 150 | RBB3-R5-410 |
| 50 x 3 | 50 x 3 | RWP 200 | RBB3-R4-503 |
| 50 x 4 | 50 x 4 | RWP 200 | RBB3-R4-504 |
| 50 x 5 | 50 x 5 | RWP 200 | RBB3-R4-505 |
| 50 x 6 | 50 x 6 | RWP 250 | RBB3-R4-506 |
| 50 x 8 | 50 x 8 | 2 X RWP 150 | RBB3-R5-508 |
| 50 x 10 | 50 x 10 | 2 X RWP 200 | RBB3-R5-5010 |
| 60 x 5 | 60 x 5 | 2 X RWP 150 | RBB3-R5-605 |
| 60 x 6 | 60 x 6 | 2 X RWP 150 | RBB3-R5-606 |
| 60 x 8 | 60 x 8 | 2 X RWP 200 | RBB3-R5-608 |
| 60 x 10 | 60 x 10 | 2 X RWP 250 | RBB3-R5-6010 |
| 80 x 5 | 80 x 5 | 2 X RWP 200 | RBB3-R5-805 |
| 80 x 6 | 80 x 6 | 2 X RWP 200 | RBB3-R5-806 |
| 80 x 8 | 80 x 8 | 2 X RWP 250 | RBB3-R5-808 |
| 80 x 10 | 80 x 10 | 3 X RWP200 | RBB3-R5-8010 |



* Representative sizes shown in here. Other sizes are also available on request.

*** BAR TO BAR RBB7**

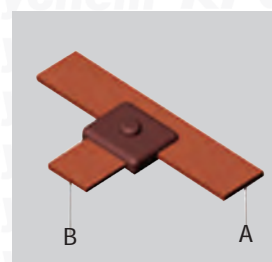
| A mm x mm | Weld & Ignition Powder | Mould |
|--------------|---------------------------|--------------|
| 20 x 2 | RWP 045 | RBB7-R4-202 |
| 20 x 3 | RWP 045 | RBB7-R4-203 |
| 20 x 4 | RWP 065 | RBB7-R4-204 |
| 20 x 5 | RWP 090 | RBB7-R4-205 |
| 25 x 2 | RWP 045 | RBB7-R4-252 |
| 25 x 3 | RWP 065 | RBB7-R4-253 |
| 25 x 4 | RWP 090 | RBB7-R4-254 |
| 25 x 5 | RWP 115 | RBB7-R4-255 |
| 25 x 6 | RWP 115 | RBB7-R4-256 |
| 30 x 2 | RWP 065 | RBB7-R4-302 |
| 30 x 3 | RWP 065 | RBB7-R4-303 |
| 30 x 4 | RWP 090 | RBB7-R4-304 |
| 30 x 5 | RWP 115 | RBB7-R4-305 |
| 31 x 3 | RWP 065 | RBB7-R4-313 |
| 31 x 6 | RWP 150 | RBB7-R4-316 |
| 38 x 3 | RWP 090 | RBB7-R4-383 |
| 38 x 5 | RWP 150 | RBB7-R4-385 |
| 38 x 6 | RWP 200 | RBB7-R4-386 |
| 40 x 3 | RWP 090 | RBB7-R4-403 |
| 40 x 4 | RWP 115 | RBB7-R4-404 |
| 40 x 5 | RWP 150 | RBB7-R4-405 |
| 40 x 6 | RWP 200 | RBB7-R4-406 |
| 40 x 10 | 2 X RWP 150 | RBB7-R5-4010 |
| 50 x 3 | RWP 150 | RBB7-R5-503 |
| 50 x 4 | RWP 200 | RBB7-R5-504 |
| 50 x 5 | RWP 200 | RBB7-R5-505 |
| 50 x 6 | RWP 250 | RBB7-R5-506 |
| 50 x 8 | 2 X RWP 150 | RBB7-R5-508 |
| 50 x 10 | 2 X RWP 200 | RBB7-R5-5010 |
| 60 x 5 | 2 X RWP 150 | RBB7-R5-605 |
| 60 x 6 | 2 X RWP 150 | RBB7-R5-606 |
| 60 x 8 | 2 X RWP 200 | RBB7-R5-608 |
| 60 x 10 | 2 X RWP 250 | RBB7-R5-6010 |
| 80 x 5 | 2 X RWP 200 | RBB7-R5-805 |
| 80 x 10 | 3 X RWP 200 | RBB7-R5-8010 |



* Representative sizes shown in here. Other sizes are also available on request.

* BAR TO BAR RBB14

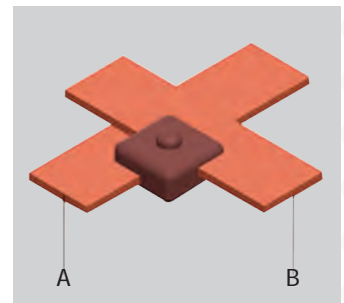
| A mm x mm | B mm x mm | Weld & Ignition Powder | Mould |
|--------------|--------------|---------------------------|-------------------|
| 20 x 2 | 20 x 2 | RWP 045 | RBB14-R4-202 |
| 20 x 3 | 20 x 3 | RWP 045 | RBB14-R4-203 |
| 20 x 4 | 20 x 4 | RWP 065 | RBB14-R4-204 |
| 20 x 5 | 20 x 5 | RWP 090 | RBB14-R4-205 |
| 25 x 2 | 25 x 2 | RWP 045 | RBB14-R4-252 |
| 25 x 3 | 25 x 3 | RWP 065 | RBB14-R4-253 |
| 25 x 4 | 25 x 4 | RWP 090 | RBB14-R4-254 |
| 25 x 5 | 25 x 5 | RWP 090 | RBB14-R4-255 |
| 25 x 6 | 25 x 6 | RWP 115 | RBB14-R4-256 |
| 25 x 6 | 25 x 3 | RWP 115 | RBB14-R4-256/253 |
| 30 x 2 | 30 x 2 | RWP 065 | RBB14-R4-302 |
| 30 x 3 | 30 x 3 | RWP 065 | RBB14-R4-303 |
| 30 x 4 | 30 x 4 | RWP 090 | RBB14-R4-304 |
| 30 x 5 | 30 x 5 | RWP 115 | RBB14-R4-305 |
| 30 x 6 | 50 x 6 | RWP 250 | RBB14-R4-305/306 |
| 31 x 3 | 31 x 3 | RWP 090 | RBB14-R4-313 |
| 31 x 6 | 31 x 6 | RWP 150 | RBB14-R4-316 |
| 38 x 3 | 38 x 3 | RWP 090 | RBB14-R4-383 |
| 38 x 5 | 38 x 5 | RWP 150 | RBB14-R4-385 |
| 38 x 6 | 38 x 6 | RWP 200 | RBB14-R4-386 |
| 40 x 3 | 40 x 3 | RWP 090 | RBB14-R4-403 |
| 40 x 4 | 40 x 4 | RWP 115 | RBB14-R4-404 |
| 40 x 5 | 40 x 5 | RWP 150 | RBB14-R4-405 |
| 40 x 6 | 40 x 6 | RWP 200 | RBB14-R4-406 |
| 40 x 10 | 50 x 6 | 2 X RWP 150 | RBB14-R5-4010/506 |
| 40 x 10 | 40 x 10 | 2 X RWP 150 | RBB14-R5-4010 |
| 50 x 3 | 50 x 3 | RWP 150 | RBB14-R5-503 |
| 50 x 4 | 50 x 4 | RWP 200 | RBB14-R5-504 |
| 50 x 5 | 50 x 5 | RWP 200 | RBB14-R5-505 |
| 50 x 6 | 30 x 5 | RWP 200 | RBB14-R5-506/305 |
| 50 x 6 | 50 x 6 | RWP 250 | RBB14-R5-506 |
| 50 x 6 | 60 x 10 | 2 X RWP 150 | RBB14-R5-506/6010 |
| 50 x 8 | 50 x 8 | 2 X RWP 150 | RBB14-R5-508 |
| 50 x 10 | 50 x 10 | 2 X RWP 200 | RBB14-R5-5010 |
| 60 x 5 | 60 x 5 | 2 X RWP 150 | RBB14-R5-605 |
| 60 x 6 | 60 x 6 | 2 X RWP 150 | RBB14-R5-606 |
| 60 x 8 | 60 x 8 | 2 X RWP 200 | RBB14-R5-608 |
| 60 x 10 | 60 x 10 | 2 X RWP 250 | RBB14-R5-6010 |
| 80 x 5 | 80 x 5 | 2 X RWP 200 | RBB14-R5-805 |
| 80 x 10 | 80 x 10 | 3 X RWP 200 | RBB14-R5-8010 |



* Representative sizes shown in here. Other sizes are also available on request.

*** BAR TO BAR RBB41**

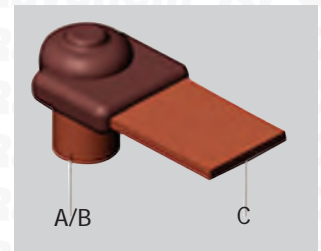
| A mm x mm | B mm x mm | Weld & Ignition Powder | Mould |
|--------------|--------------|---------------------------|--------------|
| 20 x 3 | 20 x 3 | RWP 045 | RBB41-R4-202 |
| 25 x 3 | 25 x 3 | RWP 065 | RBB41-R4-253 |
| 25 x 4 | 25 x 4 | RWP 090 | RBB41-R4-254 |
| 25 x 6 | 25 x 6 | RWP 115 | RBB41-R4-256 |
| 30 x 2 | 30 x 2 | RWP 090 | RBB41-R4-302 |
| 30 x 3 | 30 x 3 | RWP 115 | RBB41-R4-303 |
| 30 x 4 | 30 x 4 | RWP 115 | RBB41-R4-304 |
| 30 x 5 | 30 x 5 | RWP 115 | RBB41-R4-305 |
| 31 x 3 | 31 x 3 | RWP 115 | RBB41-R4-313 |
| 31 x 6 | 31 x 6 | RWP 115 | RBB41-R4-316 |
| 38 x 3 | 38 x 3 | RWP 150 | RBB41-R4-383 |
| 38 x 5 | 38 x 5 | RWP 150 | RBB41-R4-385 |
| 38 x 6 | 38 x 6 | RWP 200 | RBB41-R4-386 |
| 40 x 3 | 40 x 3 | RWP 200 | RBB41-R4-403 |
| 40 x 4 | 40 x 4 | RWP 200 | RBB41-R4-404 |
| 40 x 5 | 40 x 5 | RWP 200 | RBB41-R4-405 |
| 40 x 6 | 40 x 6 | RWP 200 | RBB41-R4-406 |
| 50 x 3 | 50 x 3 | RWP 200 | RBB41-R5-503 |
| 50 x 4 | 50 x 4 | RWP 200 | RBB41-R5-504 |
| 50 x 5 | 50 x 5 | RWP 200 | RBB41-R5-505 |
| 50 x 6 | 50 x 6 | RWP 200 | RBB41-R5-506 |
| 50 x 8 | 50 x 8 | RWP 250 | RBB41-R5-508 |



* Representative sizes shown in here. Other sizes are also available on request.

* BAR TO EARTH ROD RBR1

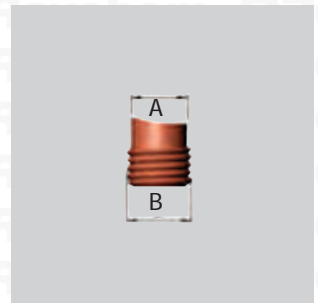
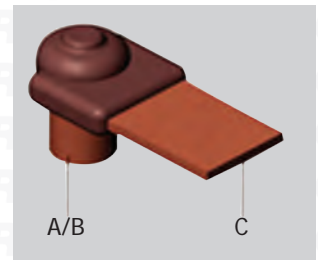
| A mm Φ | B Inches Φ | C mm x mm | Weld & Ignition Powder |
|--------------|------------------|--------------|---------------------------|
| 12.7 | 1/2" | 20 x 2 | RWP 065 |
| 12.7 | 1/2" | 20 x 3 | RWP 090 |
| 12.7 | 1/2" | 20 x 4 | RWP 090 |
| 12.7 | 1/2" | 25 x 2 | RWP 065 |
| 12.7 | 1/2" | 25 x 3 | RWP 090 |
| 12.7 | 1/2" | 25 x 4 | RWP 090 |
| 12.7 | 1/2" | 30 x 2 | RWP 090 |
| 12.7 | 1/2" | 30 x 3 | RWP 090 |
| 12.7 | 1/2" | 31 x 3 | RWP 090 |
| 12.7 | 1/2" | 38 x 3 | RWP 090 |
| 12.7 | 1/2" | 40 x 3 | RWP 090 |
| 12.7 | 1/2" | 50 x 3 | RWP 115 |
| 12.7 | 1/2" | 50 x 6 | RWP 115 |
| 14.2 | 5/8" | 20 x 3 | RWP 090 |
| 14.2 | 5/8" | 20 x 4 | RWP 090 |
| 14.2 | 5/8" | 25 x 3 | RWP 090 |
| 14.2 | 5/8" | 25 x 4 | RWP 115 |
| 14.2 | 5/8" | 25 x 5 | RWP 115 |
| 14.2 | 5/8" | 25 x 6 | RWP 115 |
| 14.2 | 5/8" | 30 x 2 | RWP 115 |
| 14.2 | 5/8" | 30 x 3 | RWP 115 |
| 14.2 | 5/8" | 30 x 4 | RWP 150 |
| 14.2 | 5/8" | 30 x 5 | RWP 150 |
| 14.2 | 5/8" | 30 x 6 | RWP 150 |
| 14.2 | 5/8" | 31 x 3 | RWP 115 |
| 14.2 | 5/8" | 31 x 6 | RWP 150 |
| 14.2 | 5/8" | 38 x 3 | RWP 115 |
| 14.2 | 5/8" | 38 x 5 | RWP 150 |
| 14.2 | 5/8" | 38 x 6 | RWP 200 |



* Representative sizes shown in here. Other sizes are also available on request.

*** BAR TO EARTH ROD RBR1 Continued**

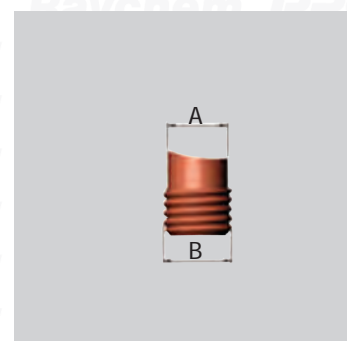
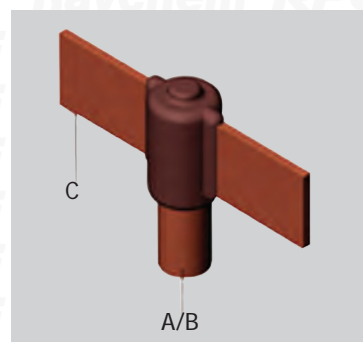
| A mm Φ | B Inches Φ | C mm x mm | Weld & Ignition Powder |
|--------------|------------------|--------------|---------------------------|
| 14.2 | 58" | 40 x 3 | RWP 115 |
| 14.2 | 58" | 40 x 4 | RWP 150 |
| 14.2 | 58" | 40 x 5 | RWP 150 |
| 14.2 | 58" | 40 x 6 | RWP 200 |
| 14.2 | 58" | 50 x 3 | RWP 150 |
| 14.2 | 58" | 50 x 4 | RWP 200 |
| 14.2 | 58" | 50 x 5 | RWP 200 |
| 14.2 | 58" | 50 x 6 | RWP 200 |
| 17.2 | 34" | 20 x 3 | RWP 115 |
| 17.2 | 34" | 20 x 4 | RWP 150 |
| 17.2 | 34" | 25 x 3 | RWP 150 |
| 17.2 | 34" | 25 x 4 | RWP 150 |
| 17.2 | 34" | 25 x 5 | RWP 150 |
| 17.2 | 34" | 25 x 6 | RWP 200 |
| 17.2 | 34" | 30 x 2 | RWP 150 |
| 17.2 | 34" | 30 x 3 | RWP 150 |
| 17.2 | 34" | 30 x 4 | RWP 250 |
| 17.2 | 34" | 30 x 5 | 2 X RWP 200 |
| 17.2 | 34" | 30 x 6 | RWP 250 |
| 17.2 | 34" | 31 x 3 | RWP 150 |
| 17.2 | 34" | 31 x 6 | RWP 250 |
| 17.2 | 34" | 38 x 3 | RWP 200 |
| 17.2 | 34" | 38 x 5 | RWP 200 |
| 17.2 | 34" | 38 x 6 | 2 X RWP 150 |
| 17.2 | 34" | 40 x 3 | RWP 200 |
| 17.2 | 34" | 40 x 4 | RWP 200 |
| 17.2 | 34" | 40 x 5 | RWP 200 |
| 17.2 | 34" | 40 x 6 | 2 X RWP 150 |
| 17.2 | 34" | 50 x 3 | 2 X RWP 150 |
| 17.2 | 34" | 50 x 4 | 2 X RWP 150 |
| 17.2 | 34" | 50 x 5 | 2 X RWP 150 |
| 17.2 | 34" | 50 x 6 | 2 X RWP 200 |
| 17.2 | 34" | 50 x 8 | 2 X RWP 200 |



* Representative sizes shown in here. Other sizes are also available on request.

* BAR TO EARTH ROD RBR2

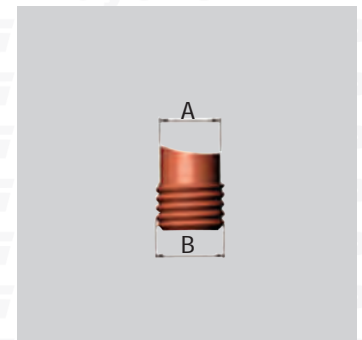
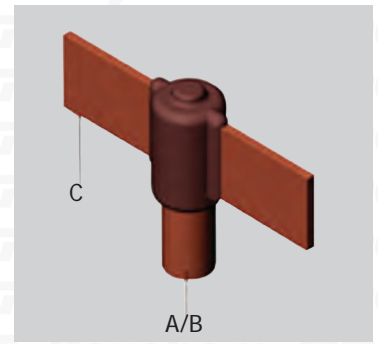
| A mm Φ | B Inches Φ | C mm x mm | Weld & Ignition Powder | Mould |
|--------------|------------------|--------------|---------------------------|----------------|
| 12.7 | 1/2" | 20 x 2 | RWP 065 | RBR2-R4-127202 |
| 12.7 | 1/2" | 20 x 3 | RWP 090 | RBR2-R4-127203 |
| 12.7 | 1/2" | 20 x 4 | RWP 090 | RBR2-R4-127204 |
| 12.7 | 1/2" | 25 x 2 | RWP 090 | RBR2-R4-127252 |
| 12.7 | 1/2" | 25 x 3 | RWP 090 | RBR2-R4-127253 |
| 12.7 | 1/2" | 25 x 4 | RWP 090 | RBR2-R4-127254 |
| 12.7 | 1/2" | 25 x 5 | RWP 115 | RBR2-R4-127255 |
| 12.7 | 1/2" | 30 x 2 | RWP 090 | RBR2-R4-127302 |
| 12.7 | 1/2" | 30 x 3 | RWP 090 | RBR2-R4-127303 |
| 12.7 | 1/2" | 30 x 4 | RWP 115 | RBR2-R4-127304 |
| 12.7 | 1/2" | 31 x 3 | RWP 090 | RBR2-R4-127313 |
| 12.7 | 1/2" | 38 x 3 | RWP 090 | RBR2-R4-127383 |
| 12.7 | 1/2" | 40 x 3 | RWP 090 | RBR2-R4-127403 |
| 12.7 | 1/2" | 40 x 5 | RWP 115 | RBR2-R4-127405 |
| 12.7 | 1/2" | 50 x 3 | RWP 115 | RBR2-R4-127503 |
| 12.7 | 1/2" | 50 x 5 | RWP 200 | RBR2-R4-127505 |
| 12.7 | 1/2" | 50 x 6 | RWP 115 | RBR2-R4-127506 |
| 14.2 | 5/8" | 20 x 2 | RWP 090 | RBR2-R4-142202 |
| 14.2 | 5/8" | 20 x 3 | RWP 090 | RBR2-R4-142203 |
| 14.2 | 5/8" | 20 x 4 | RWP 090 | RBR2-R4-142204 |
| 14.2 | 5/8" | 25 x 3 | RWP 090 | RBR2-R4-142253 |
| 14.2 | 5/8" | 25 x 4 | RWP 115 | RBR2-R4-142254 |
| 14.2 | 5/8" | 25 x 5 | RWP 115 | RBR2-R4-142255 |
| 14.2 | 5/8" | 25 x 6 | RWP 150 | RBR2-R4-142256 |
| 14.2 | 5/8" | 30 x 2 | RWP 090 | RBR2-R4-142302 |
| 14.2 | 5/8" | 30 x 3 | RWP 115 | RBR2-R4-142303 |
| 14.2 | 5/8" | 30 x 4 | RWP 150 | RBR2-R4-142304 |
| 14.2 | 5/8" | 30 x 5 | RWP 150 | RBR2-R4-142305 |
| 14.2 | 5/8" | 30 x 6 | RWP 150 | RBR2-R4-142306 |
| 14.2 | 5/8" | 31 x 3 | RWP 115 | RBR2-R4-142313 |
| 14.2 | 5/8" | 31 x 6 | RWP 150 | RBR2-R4-142316 |
| 14.2 | 5/8" | 38 x 3 | RWP 150 | RBR2-R4-142383 |
| 14.2 | 5/8" | 38 x 5 | RWP 150 | RBR2-R4-142385 |
| 14.2 | 5/8" | 38 x 6 | RWP 200 | RBR2-R4-142386 |
| 14.2 | 5/8" | 40 x 3 | RWP 150 | RBR2-R4-142403 |



* Representative sizes shown in here. Other sizes are also available on request.

*** BAR TO EARTH ROD RBR2 Continued**

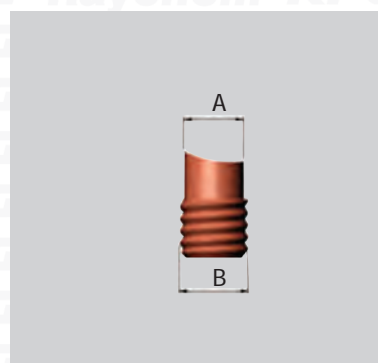
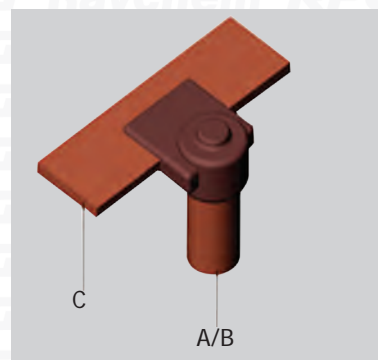
| A mm Φ | B Inches Φ | C mm x mm | Weld & Ignition Powder | Mould |
|--------------|------------------|--------------|---------------------------|-----------------|
| 14.2 | 5/8" | 40 x 4 | RWP 150 | RBR2-R4-142404 |
| 14.2 | 5/8" | 40 x 5 | RWP 150 | RBR2-R4-142405 |
| 14.2 | 5/8" | 40 x 6 | RWP 200 | RBR2-R4-142406 |
| 14.2 | 5/8" | 50 x 3 | RWP 200 | RBR2-R4-142503 |
| 14.2 | 5/8" | 50 x 4 | RWP 200 | RBR2-R4-142504 |
| 14.2 | 5/8" | 50 x 5 | RWP 200 | RBR2-R4-142505 |
| 14.2 | 5/8" | 50 x 6 | RWP 250 | RBR2-R4-142506 |
| 17.2 | 3/4" | 20 x 2 | RWP 150 | RBR2-R4-172202 |
| 17.2 | 3/4" | 20 x 3 | RWP 150 | RBR2-R4-172203 |
| 17.2 | 3/4" | 20 x 4 | RWP 150 | RBR2-R4-172204 |
| 17.2 | 3/4" | 25 x 3 | RWP 150 | RBR2-R4-172253 |
| 17.2 | 3/4" | 25 x 4 | RWP 200 | RBR2-R4-172254 |
| 17.2 | 3/4" | 25 x 5 | RWP 150 | RBR2-R4-172255 |
| 17.2 | 3/4" | 25 x 6 | RWP 200 | RBR2-R4-172256 |
| 17.2 | 3/4" | 30 x 2 | RWP 150 | RBR2-R4-172302 |
| 17.2 | 3/4" | 30 x 3 | RWP 150 | RBR2-R4-172303 |
| 17.2 | 3/4" | 30 x 4 | RWP 250 | RBR2-R4-172304 |
| 17.2 | 3/4" | 30 x 5 | RWP 200 | RBR2-R4-172305 |
| 17.2 | 3/4" | 30 x 6 | RWP 250 | RBR2-R4-172306 |
| 17.2 | 3/4" | 31 x 3 | RWP 200 | RBR2-R4-172313 |
| 17.2 | 3/4" | 31 x 6 | RWP 250 | RBR2-R4-172316 |
| 17.2 | 3/4" | 38 x 3 | RWP 200 | RBR2-R4-172383 |
| 17.2 | 3/4" | 38 x 5 | RWP 200 | RBR2-R4-172385 |
| 17.2 | 3/4" | 38 x 6 | RWP 250 | RBR2-R4-172386 |
| 17.2 | 3/4" | 40 x 3 | RWP 200 | RBR2-R4-172403 |
| 17.2 | 3/4" | 40 x 4 | RWP 200 | RBR2-R4-172404 |
| 17.2 | 3/4" | 40 x 5 | RWP 200 | RBR2-R4-172405 |
| 17.2 | 3/4" | 40 x 6 | RWP 250 | RBR2-R4-172406 |
| 17.2 | 3/4" | 40 x 10 | 2 X RWP 150 | RBR2-R5-1724010 |
| 17.2 | 3/4" | 50 x 3 | 2 X RWP 150 | RBR2-R5-172503 |
| 17.2 | 3/4" | 50 x 4 | 2 X RWP 150 | RBR2-R5-172504 |
| 17.2 | 3/4" | 50 x 5 | 2 X RWP 150 | RBR2-R5-172505 |
| 17.2 | 3/4" | 50 x 6 | 2 X RWP 150 | RBR2-R5-172506 |
| 17.2 | 3/4" | 50 x 8 | 2 X RWP 200 | RBR2-R5-172508 |



* Representative sizes shown in here. Other sizes are also available on request.

* BAR TO EARTH ROD RBR7

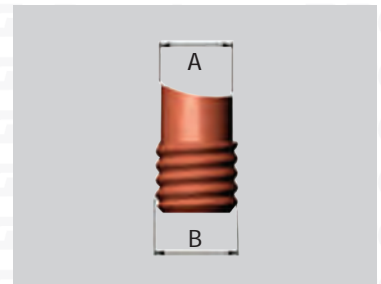
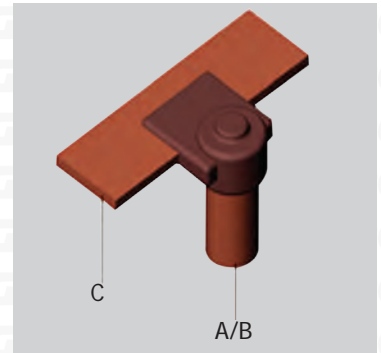
| A mm Φ | B mm Φ | C mm x mm | Weld & Ignition Powder | Mould |
|--------------|--------------|--------------|---------------------------|----------------|
| 12.7 | 1/2" | 20 x 3 | RWP 090 | RBR7-R4-127203 |
| 12.7 | 1/2" | 25 x 3 | RWP 090 | RBR7-R4-127253 |
| 12.7 | 1/2" | 25 x 4 | RWP 090 | RBR7-R4-127254 |
| 12.7 | 1/2" | 30 x 2 | RWP 090 | RBR7-R4-127302 |
| 12.7 | 1/2" | 30 x 3 | RWP 090 | RBR7-R4-127303 |
| 12.7 | 1/2" | 31 x 3 | RWP 090 | RBR7-R4-127313 |
| 12.7 | 1/2" | 38 x 3 | RWP 090 | RBR7-R4-127383 |
| 12.7 | 1/2" | 40 x 3 | RWP 090 | RBR7-R4-127403 |
| 12.7 | 1/2" | 50 x 3 | RWP 115 | RBR7-R4-127503 |
| 12.7 | 1/2" | 50 x 6 | RWP 115 | RBR7-R4-127506 |
| 14.2 | 5/8" | 20 x 3 | RWP 090 | RBR7-R4-142203 |
| 14.2 | 5/8" | 25 x 3 | RWP 090 | RBR7-R4-142253 |
| 14.2 | 5/8" | 25 x 4 | RWP 115 | RBR7-R4-142254 |
| 14.2 | 5/8" | 25 x 6 | RWP 115 | RBR7-R4-142256 |
| 14.2 | 5/8" | 30 x 2 | RWP 115 | RBR7-R4-142302 |
| 14.2 | 5/8" | 30 x 3 | RWP 115 | RBR7-R4-142303 |
| 14.2 | 5/8" | 30 x 4 | RWP 150 | RBR7-R4-142304 |
| 14.2 | 5/8" | 30 x 5 | RWP 150 | RBR7-R4-142305 |
| 14.2 | 5/8" | 31 x 3 | RWP 115 | RBR7-R4-142313 |
| 14.2 | 5/8" | 31 x 6 | RWP 150 | RBR7-R4-142316 |
| 14.2 | 5/8" | 38 x 3 | RWP 115 | RBR7-R4-142383 |
| 14.2 | 5/8" | 38 x 5 | RWP 150 | RBR7-R4-142385 |
| 14.2 | 5/8" | 38 x 6 | RWP 200 | RBR7-R4-142386 |
| 14.2 | 5/8" | 40 x 3 | RWP 115 | RBR7-R4-142403 |
| 14.2 | 5/8" | 40 x 4 | RWP 150 | RBR7-R4-142404 |
| 14.2 | 5/8" | 40 x 5 | RWP 150 | RBR7-R4-142405 |
| 14.2 | 5/8" | 40 x 6 | RWP 200 | RBR7-R4-142406 |
| 14.2 | 5/8" | 50 x 3 | RWP 150 | RBR7-R4-142503 |
| 14.2 | 5/8" | 50 x 4 | RWP 200 | RBR7-R4-142504 |
| 14.2 | 5/8" | 50 x 5 | RWP 200 | RBR7-R4-142505 |
| 14.2 | 5/8" | 50 x 6 | RWP 200 | RBR7-R4-142506 |
| 17.2 | 3/4" | 20 x 3 | RWP 115 | RBR7-R4-172203 |
| 17.2 | 3/4" | 25 x 3 | RWP 150 | RBR7-R4-172253 |
| 17.2 | 3/4" | 25 x 4 | RWP 150 | RBR7-R4-172254 |



* Representative sizes shown in here. Other sizes are also available on request.

*** BAR TO STEEL SURFACE RBR7 CONTINUED**

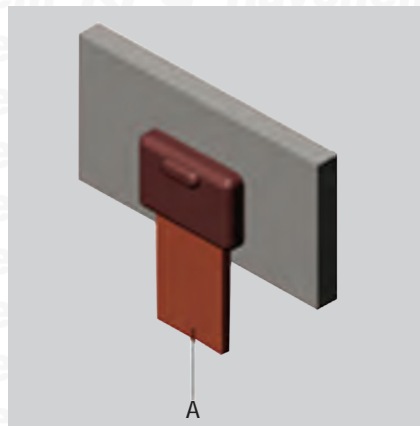
| A mm Φ | B mm Φ | C mm x mm | Weld & Ignition Powder | Mould |
|--------------|--------------|--------------|---------------------------|----------------|
| 17.2 | 3/4" | 25 x 6 | RWP 200 | RBR7-R4-172256 |
| 17.2 | 3/4" | 30 x 2 | RWP 150 | RBR7-R4-172302 |
| 17.2 | 3/4" | 30 x 3 | RWP 150 | RBR7-R4-172303 |
| 17.2 | 3/4" | 30 x 4 | RWP 250 | RBR7-R4-172304 |
| 17.2 | 3/4" | 30 x 5 | RWP 200 | RBR7-R4-172305 |
| 17.2 | 3/4" | 31 x 3 | RWP 200 | RBR7-R4-172313 |
| 17.2 | 3/4" | 31 x 6 | RWP 200 | RBR7-R4-172316 |
| 17.2 | 3/4" | 38 x 3 | RWP 200 | RBR7-R4-172383 |
| 17.2 | 3/4" | 38 x 5 | RWP 200 | RBR7-R4-172385 |
| 17.2 | 3/4" | 38 x 6 | RWP 250 | RBR7-R5-172386 |
| 17.2 | 3/4" | 40 x 3 | RWP 200 | RBR7-R4-172403 |
| 17.2 | 3/4" | 40 x 4 | RWP 200 | RBR7-R4-172404 |
| 17.2 | 3/4" | 40 x 5 | RWP 200 | RBR7-R4-172405 |
| 17.2 | 3/4" | 40 x 6 | RWP 250 | RBR7-R5-172406 |
| 17.2 | 3/4" | 50 x 3 | RWP 250 | RBR7-R5-172503 |
| 17.2 | 3/4" | 50 x 4 | RWP 250 | RBR7-R5-172504 |
| 17.2 | 3/4" | 50 x 5 | 2 x RWP 150 | RBR7-R5-172505 |
| 17.2 | 3/4" | 50 x 6 | 2 x RWP 200 | RBR7-R5-172506 |



* Representative sizes shown in here. Other sizes are also available on request.

* BAR TO STEEL SURFACE RBS1

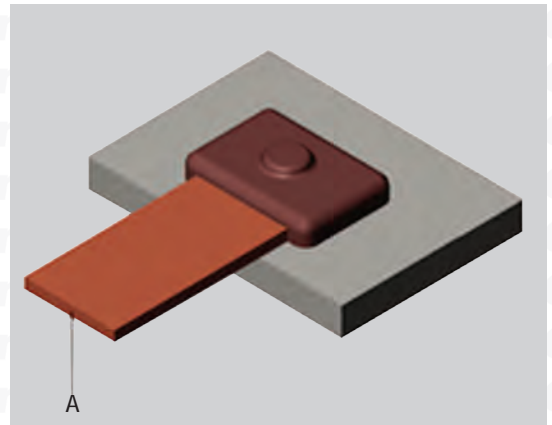
| A mm x mm | Weld & Ignition Powder | Mould |
|--------------|---------------------------|------------------|
| 20 x 2 | RWP 065 | RBS1-R4-202 |
| 20 x 3 | RWP 090 | RBS1-R4-203 |
| 25 x 3 | RWP 090 | RBS1-R4-253 |
| 25 x 4 | RWP 090 | RBS1-R4-254 |
| 25 x 5 | RWP 115 | RBS1-R4-255 |
| 25 x 6 | RWP 150 | RBS1-R4-256 |
| 30 x 2 | RWP 115 | RBS1-R4-302 |
| 30 x 3 | RWP 115 | RBS1-R4-303 |
| 30 x 4 | RWP 150 | RBS1-R4-304 |
| 30 x 5 | RWP 200 | RBS1-R4-305 |
| 31 x 3 | RWP 115 | RBS1-R4-313 |
| 31 x 6 | RWP 200 | RBS1-R4-316 |
| 38 x 3 | RWP 150 | RBS1-R4-383 |
| 38 x 5 | RWP 200 | RBS1-R4-385 |
| 38 x 6 | RWP 200 | RBS1-R4-386 |
| 40 x 1.5 | RWP 065 | RBS1-R4-40 / 1.5 |
| 40 x 3 | RWP 115 | RBS1-R4-403 |
| 40 x 4 | RWP 200 | RBS1-R4-404 |
| 40 x 5 | RWP 200 | RBS1-R4-405 |
| 40 x 6 | RWP 250 | RBS1-R4-406 |
| 50 x 3 | RWP 200 | RBS1-R4-503 |
| 50 x 4 | 2 x RWP 150 | RBS1-R4-504 |
| 50 x 5 | 2 x RWP 150 | RBS1-R5-505 |
| 50 x 6 | 2 x RWP 150 | RBS1-R5-506 |
| 50 x 8 | 2 x RWP 200 | RBS1-R5-508 |



* Representative sizes shown in here. Other sizes are also available on request.

* BAR TO STEEL SURFACE RBS2

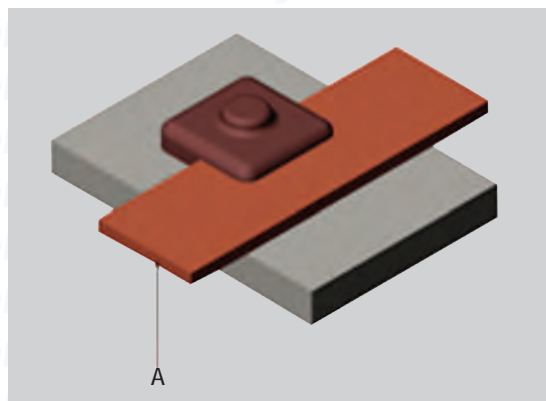
| A mm x mm | Weld & Ignition Powder | Mould |
|--------------|---------------------------|--------------|
| 20 x 2 | RWP 065 | RBS2-R4-202 |
| 20 x 3 | RWP 065 | RBS2-R4-203 |
| 20 x 3 | RWP 090 | RBS2-R4-203 |
| 25 x 2 | RWP 090 | RBS2-R4-252 |
| 25 x 3 | RWP 115 | RBS2-R4-253 |
| 25 x 4 | RWP 115 | RBS2-R4-254 |
| 25 x 5 | RWP 150 | RBS2-R4-255 |
| 25 x 6 | RWP 150 | RBS2-R4-256 |
| 25 x 10 | RWP 250 | RBS2-R4-2510 |
| 25 x 12 | RWP 250 | RBS2-R4-2512 |
| 30 x 2 | RWP 115 | RBS2-R4-302 |
| 30 x 3 | RWP 115 | RBS2-R4-303 |
| 30 x 4 | RWP 150 | RBS2-R4-304 |
| 30 x 5 | RWP 200 | RBS2-R4-305 |
| 30 x 6 | RWP 200 | RBS2-R4-306 |
| 31 x 3 | RWP 115 | RBS2-R4-313 |
| 31 x 6 | RWP 200 | RBS2-R4-316 |
| 38 x 3 | RWP 150 | RBS2-R4-383 |
| 38 x 5 | RWP 200 | RBS2-R4-385 |
| 38 x 6 | RWP 250 | RBS2-R4-386 |
| 40 x 3 | RWP 150 | RBS2-R4-403 |
| 40 x 4 | RWP 200 | RBS2-R4-404 |
| 40 x 5 | RWP 250 | RBS2-R4-405 |
| 40 x 6 | RWP 250 | RBS2-R4-406 |
| 40 x 10 | 2 x RWP 150 | RBS2-R4-4010 |
| 40 x 12 | 2 x RWP 200 | RBS2-R4-4012 |
| 50 x 3 | RWP 250 | RBS2-R4-503 |
| 50 x 4 | RWP 250 | RBS2-R4-504 |
| 50 x 5 | RWP 250 | RBS2-R4-505 |
| 50 x 6 | RWP 250 | RBS2-R4-506 |
| 60 x 8 | 2 x RWP 150 | RBS2-R4-608 |
| 60 x 10 | 2 x RWP 200 | RBS2-R4-6010 |



* Representative sizes shown in here. Other sizes are also available on request.

* BAR TO STEEL SURFACE RBS3

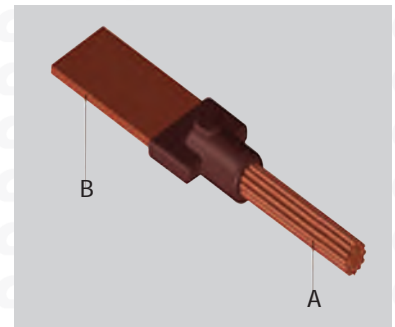
| A mm x mm | Weld & Ignition Powder | Mould |
|--------------|---------------------------|--------------|
| 20 x 2 | RWP 065 | RBS3-R4-202 |
| 20 x 3 | RWP 065 | RBS3-R4-203 |
| 20 x 3 | RWP 090 | RBS3-R4-203 |
| 25 x 2 | RWP 090 | RBS3-R4-252 |
| 25 x 3 | RWP 115 | RBS3-R4-253 |
| 25 x 4 | RWP 115 | RBS3-R4-254 |
| 25 x 5 | RWP 150 | RBS3-R4-255 |
| 25 x 6 | RWP 150 | RBS3-R4-256 |
| 25 x 10 | RWP 250 | RBS3-R4-2510 |
| 25 x 12 | RWP 250 | RBS3-R4-2512 |
| 30 x 2 | RWP 115 | RBS3-R4-302 |
| 30 x 3 | RWP 115 | RBS3-R4-303 |
| 30 x 4 | RWP 150 | RBS3-R4-304 |
| 30 x 5 | RWP 200 | RBS3-R4-305 |
| 30 x 6 | RWP 200 | RBS3-R4-306 |
| 31 x 3 | RWP 115 | RBS3-R4-313 |
| 31 x 6 | RWP 200 | RBS3-R4-316 |
| 38 x 3 | RWP 150 | RBS3-R4-383 |
| 38 x 5 | RWP 200 | RBS3-R4-385 |
| 38 x 6 | RWP 250 | RBS3-R4-386 |
| 40 x 3 | RWP 150 | RBS3-R4-403 |
| 40 x 4 | RWP 200 | RBS3-R4-404 |
| 40 x 5 | RWP 250 | RBS3-R4-405 |
| 40 x 6 | RWP 250 | RBS3-R4-406 |
| 40 x 10 | 2 x RWP 150 | RBS3-R4-4010 |
| 40 x 12 | 2 x RWP 200 | RBS3-R4-4012 |
| 50 x 3 | RWP 250 | RBS3-R4-503 |
| 50 x 4 | RWP 250 | RBS3-R4-504 |
| 50 x 5 | RWP 250 | RBS3-R4-505 |
| 50 x 6 | RWP 250 | RBS3-R4-506 |
| 60 x 8 | 2 x RWP 150 | RBS3-R4-608 |
| 60 x 10 | 2 x RWP 200 | RBS3-R4-6010 |



* Representative sizes shown in here. Other sizes are also available on request.

*** CABLE TO BAR RCB1**

| A mm ² | B mm x mm | Weld & Ignition Powder | Mould |
|----------------------|--------------|---------------------------|-----------------|
| 10 | 20 x 2 | RWP 032 | RCB1-R4-10202 |
| 16 | 20 x 3 | RWP 045 | RCB1-R4-16203 |
| 16 | 25 x 3 | RWP 045 | RCB1-R4-16253 |
| 25 | 20 x 2 | RWP 032 | RCB1-R4-25202 |
| 25 | 20 x 3 | RWP 045 | RCB1-R4-25203 |
| 25 | 25 x 3 | RWP 045 | RCB1-R4-25253 |
| 25 | 30 x 2 | RWP 045 | RCB1-R4-25302 |
| 35 | 20 x 3 | RWP 045 | RCB1-R4-35203 |
| 35 | 25 x 3 | RWP 045 | RCB1-R4-35253 |
| 35 | 30 x 2 | RWP 045 | RCB1-R4-35302 |
| 35 | 30 x 3 | RWP 045 | RCB1-R4-35303 |
| 50 | 20 x 3 | RWP 045 | RCB1-R4-50203 |
| 50 | 25 x 3 | RWP 065 | RCB1-R4-50253 |
| 50 | 25 x 4 | RWP 065 | RCB1-R4-50254 |
| 50 | 25 x 5 | RWP 065 | RCB1-R4-50255 |
| 50 | 30 x 2 | RWP 045 | RCB1-R4-50302 |
| 50 | 30 x 3 | RWP 065 | RCB1-R4-50303 |
| 8 mm Ø | 20 x 3 | RWP 045 | RCB1-R4-8SC203 |
| 8 mm Ø | 25 x 3 | RWP 065 | RCB1-R4-8SC253 |
| 70 | 25 x 3 | RWP 065 | RCB1-R4-70253 |
| 70 | 25 x 4 | RWP 065 | RCB1-R4-70254 |
| 70 | 25 x 5 | RWP 065 | RCB1-R4-70255 |
| 70 | 25 x 6 | RWP 065 | RCB1-R4-70256 |
| 70 | 30 x 3 | RWP 090 | RCB1-R4-70303 |
| 70 | 40 x 3 | RWP 090 | RCB1-R4-70403 |
| 10 mm Ø | 25 x 3 | RWP 065 | RCB1-R4-10SC253 |
| 10 mm Ø | 25 x 4 | RWP 065 | RCB1-R4-10SC254 |
| 10 mm Ø | 25 x 6 | RWP 065 | RCB1-R4-10SC256 |
| 95 | 25 x 3 | RWP 090 | RCB1-R4-95253 |
| 95 | 25 x 4 | RWP 090 | RCB1-R4-95254 |
| 95 | 25 x 5 | RWP 090 | RCB1-R4-95255 |
| 95 | 25 x 6 | RWP 090 | RCB1-R4-95256 |
| 95 | 30 x 3 | RWP 090 | RCB1-R4-95303 |
| 95 | 30 x 5 | RWP 090 | RCB1-R4-95305 |
| 95 | 40 x 3 | RWP 090 | RCB1-R4-95403 |
| 95 | 40 x 5 | RWP 090 | RCB1-R4-95405 |
| 95 | 50 x 5 | RWP 090 | RCB1-R4-95505 |
| 95 | 50 x 6 | RWP 090 | RCB1-R4-95506 |
| 120 | 25 x 3 | RWP 090 | RCB1-R4-120253 |
| 120 | 25 x 4 | RWP 090 | RCB1-R4-120254 |

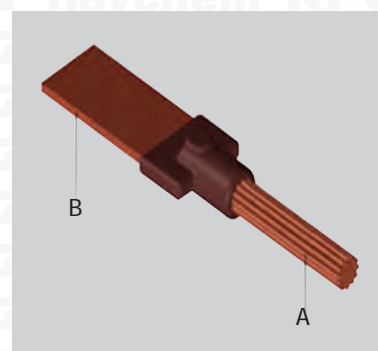


Continued...

* Representative sizes shown in here. Other sizes are also available on request.

*** CABLE TO BAR RCB1** Continued

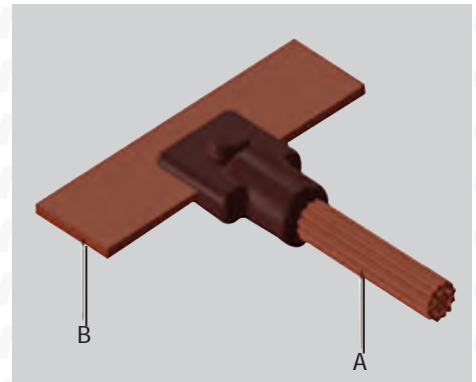
| A mm ² | B mm x mm | Weld & Ignition Powder | Mould |
|----------------------|--------------|---------------------------|-----------------|
| 120 | 25 x 5 | RWP 090 | RCB1-R4-120255 |
| 120 | 25 x 6 | RWP 090 | RCB1-R4-120256 |
| 120 | 30 x 5 | RWP 115 | RCB1-R4-120305 |
| 120 | 40 x 3 | RWP 115 | RCB1-R4-120403 |
| 120 | 40 x 5 | RWP 115 | RCB1-R4-120405 |
| 120 | 50 x 5 | RWP 115 | RCB1-R4-120505 |
| 120 | 50 x 6 | RWP 115 | RCB1-R4-120506 |
| 150 | 25 x 6 | RWP 115 | RCB1-R4-150256 |
| 150 | 30 x 5 | RWP 115 | RCB1-R4-150305 |
| 150 | 40 x 5 | RWP 150 | RCB1-R4-150405 |
| 150 | 50 x 3 | RWP 115 | RCB1-R4-150503 |
| 150 | 50 x 4 | RWP 150 | RCB1-R4-150504 |
| 150 | 50 x 5 | RWP 200 | RCB1-R4-150505 |
| 150 | 50 x 6 | RWP 150 | RCB1-R4-150506 |
| 150 | 50 x 8 | RWP 200 | RCB1-R4-150508 |
| 185 | 30 x 5 | RWP 150 | RCB1-R4-185305 |
| 185 | 31 x 6 | RWP 150 | RCB1-R4-185316 |
| 185 | 38 x 6 | RWP 150 | RCB1-R4-185386 |
| 185 | 40 x 5 | RWP 150 | RCB1-R4-185405 |
| 185 | 50 x 4 | RWP 200 | RCB1-R5-185504 |
| 185 | 50 x 5 | RWP 200 | RCB1-R5-185505 |
| 185 | 50 x 6 | RWP 200 | RCB1-R5-185506 |
| 185 | 50 x 8 | RWP 200 | RCB1-R5-185508 |
| 185 | 60 x 5 | RWP 250 | RCB1-R5-185605 |
| 240 | 50 x 3 | RWP 200 | RCB1-R5-240503 |
| 240 | 50 x 4 | RWP 200 | RCB1-R5-240504 |
| 240 | 50 x 5 | RWP 200 | RCB1-R5-240505 |
| 240 | 50 x 6 | 2 x RWP 150 | RCB1-R5-240506 |
| 240 | 50 x 8 | 2 x RWP 150 | RCB1-R5-240508 |
| 240 | 60 x 5 | RWP 250 | RCB1-R5-240605 |
| 300 | 50 x 6 | 2 x RWP 150 | RCB1-R5-300506 |
| 300 | 50 x 8 | 2 x RWP 200 | RCB1-R5-300508 |
| 300 | 50 x 10 | 2 x RWP 200 | RCB1-R5-3005010 |
| 300 | 60 x 5 | 2 x RWP 150 | RCB1-R5-300605 |
| 500 | 50 x 10 | 2 x RWP 200 | RCB1-R5-5005010 |
| 500 | 50 x 12 | 2 x RWP 250 | RCB1-R5-5005012 |
| 500 | 75 X 12 | 2 X RWP 250 | RCB1-R5-5007512 |



* Representative sizes shown in here. Other sizes are also available on request.

*** CABLE TO BAR RCB4**

| A mm ² | B mm X mm | Weld & Ignition Powder | Mould |
|----------------------|--------------|---------------------------|-----------------|
| 10 | 20x2 | RWP 025 | RCB4-R4-10202 |
| 16 | 25x2 | RWP 032 | RCB4-R4-16252 |
| 25 | 25x2 | RWP 032 | RCB4-R4-25252 |
| 35 | 25x2 | RWP 045 | RCB4-R4-35252 |
| 50 | 25x2 | RWP 045 | RCB4-R4-50252 |
| 16 | 20 x 3 | RWP 045 | RCB4-R4-16203 |
| 16 | 25 x 3 | RWP 045 | RCB4-R4-16253 |
| 25 | 20 x 3 | RWP 045 | RCB4-R4-25203 |
| 25 | 25 x 3 | RWP 032 | RCB4-R4-25253 |
| 35 | 20 x 3 | RWP 045 | RCB4-R4-35203 |
| 35 | 25 x 3 | RWP 045 | RCB4-R4-35253 |
| 50 | 20 x 3 | RWP 045 | RCB4-R4-50203 |
| 50 | 25 x 3 | RWP 045 | RCB4-R4-50253 |
| 8 mm Ø | 20 x 3 | RWP 045 | RCB4-R4-8SC203 |
| 8 mm Ø | 25 x 3 | RWP 045 | RCB4-R4-8SC253 |
| 70 | 25 x 3 | RWP 065 | RCB4-R4-70253 |
| 95 | 25 x 3 | RWP 090 | RCB4-R4-95253 |
| 120 | 25 x 3 | RWP 090 | RCB4-R4-120253 |
| 150 | 25 x 3 | RWP 115 | RCB4-R4-150253 |
| 185 | 25 x 3 | RWP 115 | RCB4-R4-185253 |
| 240 | 25 x 3 | RWP 150 | RCB4-R4-240253 |
| 70 | 25 x 4 | RWP 065 | RCB4-R4-70254 |
| 70 | 25 x 6 | RWP 090 | RCB4-R4-70256 |
| 10 mm Ø | 25 x 3 | RWP 065 | RCB4-R4-10SC253 |
| 10 mm Ø | 25 x 4 | RWP 065 | RCB4-R4-10SC254 |
| 10 mm Ø | 25 x 6 | RWP 090 | RCB4-R4-10SC256 |
| 95 | 25 x 4 | RWP 090 | RCB4-R4-95254 |
| 120 | 25 x 4 | RWP 090 | RCB4-R4-120254 |
| 95 | 25 x 6 | RWP 115 | RCB4-R4-95256 |
| 120 | 25 x 6 | RWP 115 | RCB4-R4-120256 |
| 35 | 30x3 | RWP 45 | RCB4-R4-35303 |
| 50 | 30x3 | RWP 65 | RCB4-R4-50303 |
| 70 | 30x3 | RWP 90 | RCB4-R4-70303 |
| 95 | 30 x 5 | RWP 090 | RCB4-R4-95305 |
| 120 | 30 x 5 | RWP 115 | RCB4-R4-120305 |
| 150 | 25 x 6 | RWP 115 | RCB4-R4-150256 |
| 150 | 30 x 5 | RWP 115 | RCB4-R4-150305 |
| 185 | 30 x 5 | RWP 150 | RCB4-R4-185305 |
| 150 | 25 x 6 | RWP 115 | RCB4-R4-150256 |
| 185 | 31 x 6 | RWP 150 | RCB4-R4-185316 |

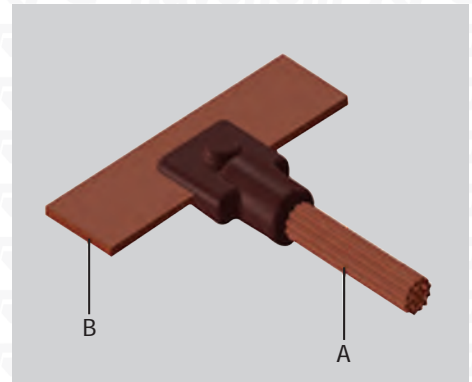


Continued...

* Representative sizes shown in here. Other sizes are also available on request.

*** CABLE TO BAR RCB4 Continued**

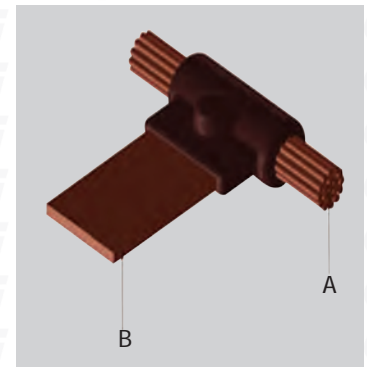
| A mm ² | B mm X mm | Weld & Ignition Powder | Mould |
|----------------------|--------------|---------------------------|----------------|
| 185 | 38 x 6 | RWP 150 | RCB4-R4-185386 |
| 35 | 40x3 | RWP 45 | RCB4-R4-35403 |
| 50 | 40x3 | RWP 90 | RCB4-R4-50403 |
| 70 | 40x3 | RWP 90 | RCB4-R4-70403 |
| 35 | 40 x 5 | RWP 65 | RCB4-R4-35405 |
| 50 | 40 x 5 | RWP 90 | RCB4-R4-50405 |
| 70 | 40 x 5 | RWP 90 | RCB4-R4-70405 |
| 95 | 40 x 5 | RWP 90 | RCB4-R4-95405 |
| 120 | 40 x 5 | RWP 115 | RCB4-R4-120405 |
| 150 | 40 x 5 | RWP 115 | RCB4-R4-150405 |
| 185 | 40 x 5 | RWP 150 | RCB4-R4-185405 |
| 50 | 40 x 6 | RWP 90 | RCB4-R4-50406 |
| 95 | 40 x 6 | RWP 90 | RCB4-R4-95406 |
| 120 | 40 x 6 | RWP 115 | RCB4-R4-185406 |
| 240 | 40 x 6 | RWP 150 | RCB4-R4-185406 |
| 70 | 50 x 5 | RWP 90 | RCB4-R4-70505 |
| 95 | 50 x 5 | RWP 90 | RCB4-R4-95505 |
| 120 | 50 x 5 | RWP 115 | RCB4-R4-120505 |
| 150 | 50 x 5 | RWP 115 | RCB4-R4-150505 |
| 185 | 50 x 5 | RWP 150 | RCB4-R4-185505 |
| 240 | 50 x 5 | RWP 200 | RCB4-R4-240505 |
| 150 | 50 x 6 | RWP 150 | RCB4-R4-150506 |
| 185 | 50 x 6 | RWP 150 | RCB4-R4-185506 |
| 240 | 50 x 6 | RWP 250 | RCB4-R4-240506 |
| 300 | 50 x 6 | 2xRWP 150 | RCB4-R5-300506 |
| 150 | 50 x 8 | RWP 150 | RCB4-R4-150508 |
| 185 | 50 x 8 | RWP 200 | RCB4-R4-185508 |
| 300 | 50 x 8 | 2xRWP 200 | RCB4-R5-300508 |



* Representative sizes shown in here. Other sizes are also available on request.

*** CABLE TO BAR RCB5**

| A mm ² | B mm X mm | Weld & Ignition Powder | Mould |
|----------------------|--------------|---------------------------|-----------------|
| 10 | 20 X 2 | RWP 045 | RCB5-R4-10202 |
| 16 | 20 X 2 | RWP 045 | RCB5-R4-16202 |
| 16 | 20 x 3 | RWP 045 | RCB5-R4-16203 |
| 16 | 25 x 3 | RWP 065 | RCB5-R4-16253 |
| 25 | 20 x 2 | RWP 045 | RCB5-R4-25202 |
| 25 | 20 x 3 | RWP 045 | RCB5-R4-25203 |
| 25 | 25 x 3 | RWP 065 | RCB5-R4-25253 |
| 25 | 30 x 2 | RWP 045 | RCB5-R4-25302 |
| 35 | 20 x 2 | RWP 045 | RCB5-R4-35202 |
| 35 | 20 x 3 | RWP 045 | RCB5-R4-35203 |
| 35 | 25 x 3 | RWP 045 | RCB5-R4-35253 |
| 35 | 30 x 2 | RWP 045 | RCB5-R4-35302 |
| 35 | 30 x 3 | RWP 065 | RCB5-R4-35303 |
| 50 | 20 x 3 | RWP 065 | RCB5-R4-50203 |
| 50 | 25 x 2 | RWP 045 | RCB5-R4-50252 |
| 50 | 25 x 3 | RWP 065 | RCB5-R4-50253 |
| 50 | 30 x 2 | RWP 065 | RCB5-R4-50302 |
| 50 | 30 x 3 | RWP 090 | RCB5-R4-50303 |
| 50 | 40 x 3 | RWP 115 | RCB5-R4-50403 |
| 50 | 40 x 6 | RWP 115 | RCB5-R4-50406 |
| 8 mm Ø | 20 x 3 | RWP 065 | RCB5-R4-8SC203 |
| 8 mm Ø | 25 x 2 | RWP 045 | RCB5-R4-8SC252 |
| 8 mm Ø | 25 x 3 | RWP 065 | RCB5-R4-8SC253 |
| 8 mm Ø | 30 x 2 | RWP 065 | RCB5-R4-8SC302 |
| 8 mm Ø | 30 x 3 | RWP 090 | RCB5-R4-8SC303 |
| 70 | 25 x 3 | RWP 090 | RCB5-R4-70253 |
| 70 | 25 x 4 | RWP 115 | RCB5-R4-70254 |
| 70 | 25 x 6 | RWP 115 | RCB5-R4-70256 |
| 70 | 30 x 3 | RWP 115 | RCB5-R4-70303 |
| 70 | 40 x 3 | RWP 115 | RCB5-R4-70403 |
| 70 | 50 x 5 | RWP 200 | RCB5-R4-70505 |
| 10 mm Ø | 25 x 3 | RWP 115 | RCB5-R4-10SC253 |
| 10 mm Ø | 25 x 4 | RWP 150 | RCB5-R4-10SC254 |
| 10 mm Ø | 25 x 6 | RWP 150 | RCB5-R4-10SC256 |
| 10 mm Ø | 30 x 3 | RWP 115 | RCB5-R4-10SC303 |
| 95 | 25 x 3 | RWP 090 | RCB5-R4-95253 |
| 95 | 25 x 4 | RWP 150 | RCB5-R4-95254 |
| 95 | 25 x 5 | RWP 150 | RCB5-R4-95255 |
| 95 | 25 x 6 | RWP 150 | RCB5-R4-95256 |
| 95 | 30 x 5 | RWP 150 | RCB5-R4-95305 |
| 95 | 40 x 3 | RWP 150 | RCB5-R4-95403 |

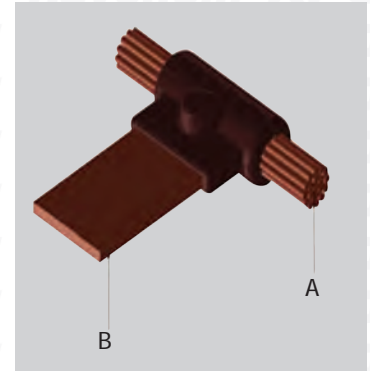


Continued...

* Representative sizes shown in here. Other sizes are also available on request.

*** CABLE TO BAR RCB5** Continued

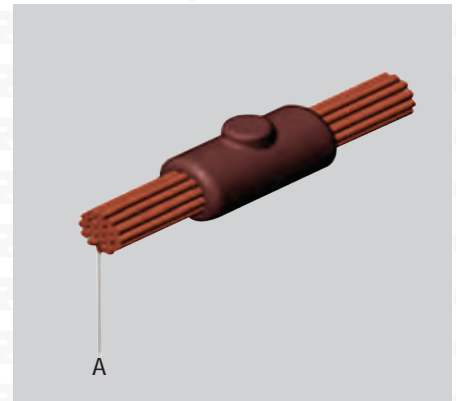
| A mm ² | B mm X mm | Weld & Ignition Powder | Mould |
|----------------------|--------------|---------------------------|----------------|
| 120 | 25 x 3 | RWP 115 | RCB5-R4-120253 |
| 120 | 25 x 4 | RWP 150 | RCB5-R4-120254 |
| 120 | 25 x 5 | RWP 150 | RCB5-R4-120255 |
| 120 | 25 x 6 | RWP 150 | RCB5-R4-120256 |
| 120 | 30 x 5 | RWP 200 | RCB5-R4-120305 |
| 120 | 40 x 3 | RWP 200 | RCB5-R4-120403 |
| 120 | 40 x 5 | RWP 200 | RCB5-R4-120405 |
| 120 | 50 x 6 | RWP 250 | RCB5-R4-120506 |
| 150 | 25 x 3 | RWP 150 | RCB5-R4-150253 |
| 150 | 25 x 6 | RWP 200 | RCB5-R4-150256 |
| 150 | 30 x 5 | RWP 200 | RCB5-R4-150305 |
| 150 | 40 x 5 | RWP 250 | RCB5-R4-150405 |
| 150 | 50 x 3 | RWP 200 | RCB5-R4-150503 |
| 150 | 50 x 4 | RWP 250 | RCB5-R4-150504 |
| 150 | 50 x 5 | RWP 250 | RCB5-R5-150505 |
| 150 | 50 x 6 | 2 X RWP 150 | RCB5-R5-150506 |
| 150 | 50 x 8 | 2 X RWP 200 | RCB5-R5-150508 |
| 150 | 60 x 5 | 2 X RWP 150 | RCB5-R5-150605 |
| 185 | 30 x 5 | RWP 250 | RCB5-R4-185305 |
| 185 | 31 x 6 | RWP 250 | RCB5-R4-185316 |
| 185 | 38 x 6 | RWP 250 | RCB5-R4-185386 |
| 185 | 40 x 5 | RWP 250 | RCB5-R4-185405 |
| 185 | 40 x 6 | RWP 250 | RCB5-R4-185406 |
| 185 | 50 x 4 | RWP 250 | RCB5-R5-185504 |
| 185 | 50 x 5 | 2 X RWP 150 | RCB5-R5-185505 |
| 185 | 50 x 6 | 2 X RWP 150 | RCB5-R5-185506 |
| 185 | 50 x 8 | 2 X RWP 200 | RCB5-R5-185508 |
| 185 | 60 x 5 | 2 X RWP 200 | RCB5-R5-185605 |
| 240 | 25 x 3 | RWP 200 | RCB5-R4-240253 |
| 240 | 30 x 5 | RWP 250 | RCB5-R4-240305 |
| 240 | 40 x 3 | 2 X RWP 150 | RCB5-R5-240403 |
| 240 | 40 x 6 | 2 X RWP 150 | RCB5-R5-240406 |
| 240 | 50 x 3 | 2 X RWP 150 | RCB5-R5-240503 |
| 240 | 50 x 4 | 2 X RWP 150 | RCB5-R5-240504 |
| 240 | 50 x 5 | 2 X RWP 150 | RCB5-R5-240505 |
| 240 | 50 x 6 | 2 X RWP 200 | RCB5-R5-240506 |
| 240 | 60 x 5 | 2 X RWP 150 | RCB5-R5-240605 |
| 300 | 25 x 3 | RWP 250 | RCB5-R4-300253 |
| 300 | 50 x 6 | 2 X RWP 250 | RCB5-R5-300506 |
| 300 | 50 x 8 | 2 X RWP 250 | RCB5-R5-300508 |
| 400 | 30 x 5 | 2 X RWP 150 | RCB5-R5-400305 |



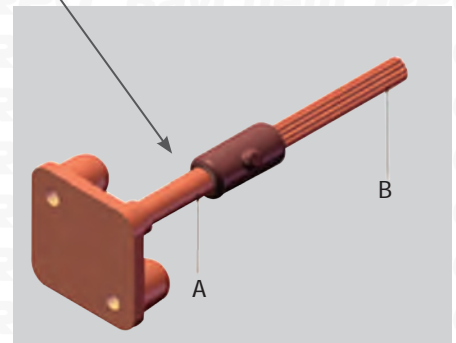
* Representative sizes shown in here. Other sizes are also available on request.

*** CABLE TO CABLE RCC1**

| A mm ² | B mm ² | Weld & Ignition Powder | Mould |
|-------------------|-------------------|------------------------|-----------------|
| 10 | 10 | RWP 032 | RCC1-R4-1010 |
| 16 | 16 | RWP 032 | RCC1-R4-16 |
| 25 | 25 | RWP 032 | RCC1-R4-25 |
| 35 | 35 | RWP 032 | RCC1-R4-35 |
| 50 | 50 | RWP 045 | RCC1-R4-50 |
| 50 | 70 | RWP 065 | RCC1-R4-5070 |
| 50 | 95 | RWP 090 | RCC1-R4-5095 |
| 8 mm Ø | 8 mm Ø | RWP 045 | RCC1-R4-8SC |
| 70 | 70 | RWP 065 | RCC1-R4-70 |
| 70 | 95 | RWP 090 | RCC1-R4-7095 |
| 70 | 120 | RWP 115 | RCC1-R4-70120 |
| 10 mm Ø | 10 mm Ø | RWP 065 | RCC1-R4-10SC |
| 10 mm Ø | 10 | RWP 065 | RCC1-R4-10SC10 |
| 10 mm Ø | 16 | RWP 065 | RCC1-R4-10SC16 |
| 10 mm Ø | 25 | RWP 065 | RCC1-R4-10SC25 |
| 10 mm Ø | 35 | RWP 065 | RCC1-R4-10SC35 |
| 10 mm Ø | 50 | RWP 065 | RCC1-R4-10SC50 |
| 10 mm Ø | 70 | RWP 065 | RCC1-R4-10SC70 |
| 10 mm Ø | 95 | RWP 090 | RCC1-R4-10SC95 |
| 10 mm Ø | 120 | RWP 115 | RCC1-R4-10SC120 |
| 10 mm Ø | 150 | RWP 115 | RCC1-R4-10SC150 |
| 10 mm Ø | 185 | RWP 150 | RCC1-R4-10SC185 |
| 10 mm Ø | 240 | RWP 200 | RCC1-R4-10SC240 |
| 10 mm Ø | 300 | RWP 250 | RCC1-R4-10SC300 |
| 10 mm Ø | 400 | 2xRWP 150 | RCC1-R5-10SC400 |
| 10 mm Ø | 500 | 2XRWP 200 | RCC1-R5-10SC500 |
| 95 | 95 | RWP 090 | RCC1-R4-95 |
| 95 | 120 | RWP 115 | RCC1-R4-95120 |
| 120 | 120 | RWP 115 | RCC1-R4-120 |
| 150 | 150 | RWP 115 | RCC1-R4-150 |
| 185 | 185 | RWP 150 | RCC1-R4-185 |
| 240 | 240 | RWP 200 | RCC1-R4-240 |
| 300 | 300 | RWP 250 | RCC1-R4-300 |
| 400 | 400 | 2xRWP 150 | RCC1-R5-400 |
| 500 | 500 | 2XRWP 200 | RCC1-R5-500500 |



Refer Earth Point Details,
Page no.: 29

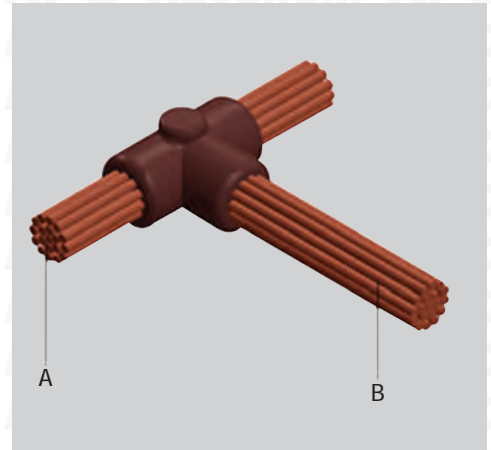


Material: BS EN 1982: 2008

* Representative sizes shown in here. Other sizes are also available on request.

* CABLE TO CABLE CC2

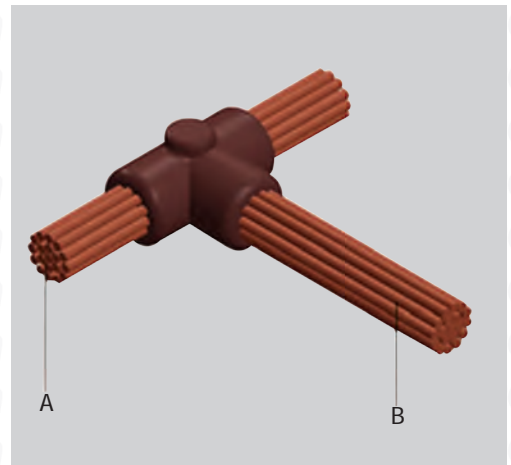
| A mm ² | B mm ² | Weld & Ignition Powder | Mould |
|-------------------|-------------------|------------------------|----------------|
| 10 | 10 | RWP 032 | RCC2-R4-1010 |
| 16 | 16 | RWP 045 | RCC2-R4-1616 |
| 25 | 10 | RWP 045 | RCC2-R4-2510 |
| 25 | 16 | RWP 045 | RCC2-R4-2516 |
| 25 | 25 | RWP 045 | RCC2-R4-2525 |
| 30 | 16 | RWP 045 | RCC2-R4-3016 |
| 30 | 25 | RWP 045 | RCC2-R4-3025 |
| 30 | 30 | RWP 045 | RCC2-R4-3030 |
| 35 | 16 | RWP 045 | RCC2-R4-3516 |
| 35 | 30 | RWP 045 | RCC2-R4-3530 |
| 35 | 35 | RWP 045 | RCC2-R4-3535 |
| 35 | 25 | RWP 045 | RCC2-R4-3525 |
| 8 mm Ø | 8 mm Ø | RWP 065 | RCC2-R4-88SC |
| 50 | 50 | RWP 090 | RCC2-R4-5050 |
| 50 | 35 | RWP 065 | RCC2-R4-5035 |
| 50 | 25 | RWP 065 | RCC2-R4-5025 |
| 50 | 16 | RWP 045 | RCC2-R4-5016 |
| 10 mm Ø | 10 mm Ø | RWP 090 | RCC2-R4-1010SC |
| 70 | 70 | RWP 090 | RCC2-R4-7070 |
| 70 | 50 | RWP 090 | RCC2-R4-7050 |
| 70 | 35 | RWP 065 | RCC2-R4-7035 |
| 70 | 30 | RWP 065 | RCC2-R4-7030 |
| 70 | 25 | RWP 065 | RCC2-R4-7025 |
| 70 | 16 | RWP 065 | RCC2-R4-7016 |
| 70 | 6 | RWP 045 | RCC2-R4-706 |
| 95 | 95 | RWP 115 | RCC2-R4-9595 |
| 95 | 70 | RWP 090 | RCC2-R4-9570 |
| 95 | 50 | RWP 090 | RCC2-R4-9550 |
| 95 | 35 | RWP 090 | RCC2-R4-9535 |
| 95 | 30 | RWP 090 | RCC2-R4-9530 |
| 95 | 25 | RWP 090 | RCC2-R4-9525 |
| 95 | 16 | RWP 090 | RCC2-R4-9516 |
| 120 | 300 | RWP 200 | RCC2-R4-120300 |
| 120 | 120 | RWP 150 | RCC2-R4-120120 |
| 120 | 95 | RWP 150 | RCC2-R4-12095 |
| 120 | 70 | RWP 090 | RCC2-R4-12070 |
| 120 | 50 | RWP 090 | RCC2-R4-12050 |
| 120 | 35 | RWP 090 | RCC2-R4-12035 |
| 120 | 25 | RWP 090 | RCC2-R4-12025 |
| 120 | 30 | RWP 090 | RCC2-R4-12030 |
| 120 | 16 | RWP 090 | RCC2-R4-12016 |
| 150 | 150 | RWP 200 | RCC2-R4-150150 |



* Representative sizes shown in here. Other sizes are also available on request.

*** CABLE TO CABLE RCC2 Continued**

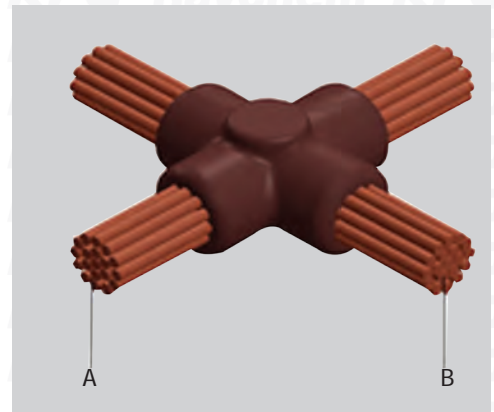
| A mm ² | B mm ² | Weld & Ignition Powder | Mould |
|-------------------|-------------------|------------------------|----------------|
| 150 | 120 | RWP 150 | RCC2-R4-150120 |
| 150 | 95 | RWP 150 | RCC2-R4-15095 |
| 150 | 70 | RWP 090 | RCC2-R4-15070 |
| 150 | 50 | RWP 090 | RCC2-R4-15050 |
| 150 | 35 | RWP 090 | RCC2-R4-15035 |
| 150 | 30 | RWP 090 | RCC2-R4-15030 |
| 150 | 25 | RWP 090 | RCC2-R4-15025 |
| 150 | 16 | RWP 090 | RCC2-R4-15016 |
| 185 | 185 | RWP 200 | RCC2-R4-185185 |
| 185 | 150 | RWP 200 | RCC2-R4-185150 |
| 185 | 120 | RWP 200 | RCC2-R4-185120 |
| 185 | 95 | RWP 150 | RCC2-R4-18595 |
| 185 | 70 | RWP 150 | RCC2-R4-18570 |
| 240 | 400 | 2xRWP 200 | RCC2-R4-240400 |
| 240 | 240 | 2xRWP 150 | RCC2-R5-240240 |
| 240 | 185 | RWP 200 | RCC2-R4-240185 |
| 240 | 150 | RWP 200 | RCC2-R4-240150 |
| 240 | 120 | RWP 200 | RCC2-R4-240120 |
| 240 | 95 | RWP 150 | RCC2-R4-24095 |
| 240 | 70 | RWP 115 | RCC2-R4-24070 |
| 240 | 50 | RWP 090 | RCC2-R4-24050 |
| 240 | 35 | RWP 090 | RCC2-R4-24035 |
| 240 | 25 | RWP 090 | RCC2-R4-24025 |
| 240 | 16 | RWP 090 | RCC2-R4-24016 |
| 300 | 300 | 2xRWP 200 | RCC2-R5-300300 |
| 300 | 240 | 2xRWP 200 | RCC2-R5-300240 |
| 300 | 185 | RWP 250 | RCC2-R4-300185 |
| 300 | 150 | RWP 200 | RCC2-R4-300150 |
| 300 | 120 | RWP 150 | RCC2-R4-300120 |
| 300 | 95 | RWP 200 | RCC2-R4-30095 |
| 300 | 70 | RWP 200 | RCC2-R4-30070 |
| 300 | 50 | RWP 115 | RCC2-R4-30050 |
| 300 | 35 | RWP 115 | RCC2-R4-30035 |
| 300 | 25 | RWP 115 | RCC2-R4-30025 |
| 300 | 16 | RWP 090 | RCC2-R4-30016 |
| 400 | 400 | 2xRWP 250 | RCC2-R4-400400 |
| 400 | 300 | 2xRWP 200 | RCC2-R4-400300 |
| 400 | 95 | RWP 250 | RCC2-R4-40095 |



* Representative sizes shown in here. Other sizes are also available on request.

* CABLE TO CABLE RCC4

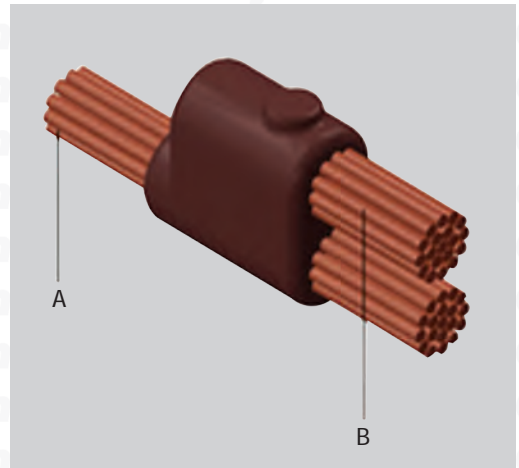
| A mm ² | B mm ² | Weld & Ignition Powder | Mould |
|----------------------|----------------------|---------------------------|----------------|
| 10 | 10 | RWP 045 | RCC4-R4-1010 |
| 16 | 16 | RWP 045 | RCC4-R4-1616 |
| 25 | 25 | RWP 045 | RCC4-R4-2525 |
| 35 | 35 | RWP 065 | RCC4-R4-3535 |
| 35 | 25 | RWP 065 | RCC4-R4-3525 |
| 8 mm Ø | 8 mm Ø | RWP 090 | RCC4-R4-88SC |
| 50 | 50 | RWP 090 | RCC4-R4-5050 |
| 50 | 35 | RWP 090 | RCC4-R4-5035 |
| 50 | 25 | RWP 090 | RCC4-R4-5025 |
| 10 mm Ø | 10 mm Ø | RWP 115 | RCC4-R4-1010SC |
| 70 | 70 | RWP 115 | RCC4-R4-7070 |
| 70 | 50 | RWP 115 | RCC4-R4-7050 |
| 70 | 35 | RWP 115 | RCC4-R4-7035 |
| 70 | 25 | RWP 115 | RCC4-R4-7025 |
| 95 | 95 | RWP 150 | RCC4-R4-9595 |
| 95 | 70 | RWP 150 | RCC4-R4-9570 |
| 95 | 50 | RWP 115 | RCC4-R4-9550 |
| 95 | 35 | RWP 115 | RCC4-R4-9535 |
| 120 | 120 | RWP 200 | RCC4-R4-120120 |
| 120 | 95 | RWP 200 | RCC4-R4-12095 |
| 120 | 70 | RWP 150 | RCC4-R4-12070 |
| 120 | 50 | RWP 150 | RCC4-R4-12050 |
| 120 | 35 | RWP 115 | RCC4-R4-12035 |
| 120 | 25 | RWP 150 | RCC4-R4-12025 |
| 150 | 150 | RWP 250 | RCC4-R4-150150 |
| 150 | 120 | RWP 250 | RCC4-R4-150120 |
| 150 | 95 | RWP 200 | RCC4-R4-15095 |
| 150 | 70 | RWP 150 | RCC4-R4-15070 |
| 150 | 50 | RWP 150 | RCC4-R4-15050 |
| 185 | 185 | 2 X RWP 150 | RCC4-R5-185185 |
| 185 | 150 | RWP 250 | RCC4-R4-185150 |
| 185 | 120 | RWP 250 | RCC4-R4-185120 |
| 185 | 95 | RWP 200 | RCC4-R4-18595 |
| 185 | 70 | RWP 200 | RCC4-R4-18570 |
| 240 | 240 | 2 X RWP 250 | RCC4-R5-240240 |
| 240 | 185 | 2 X RWP 200 | RCC4-R5-240185 |
| 240 | 150 | 2 X RWP 200 | RCC4-R5-240150 |
| 240 | 120 | 2 X RWP 150 | RCC4-R5-240120 |
| 240 | 95 | 2 X RWP 150 | RCC4-R5-24095 |
| 300 | 300 | 3 X RWP 200 | RCC4-R5-300300 |
| 300 | 240 | 3 X RWP 200 | RCC4-R5-300240 |
| 300 | 185 | 2 X RWP 250 | RCC4-R5-300185 |
| 300 | 150 | 2 X RWP 250 | RCC4-R5-300150 |
| 300 | 120 | 2 X RWP 200 | RCC4-R5-300120 |



* Representative sizes shown in here. Other sizes are also available on request.

*** CABLE TO CABLE RCC6**

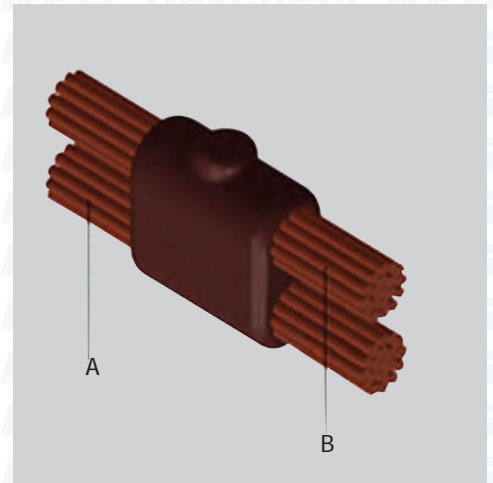
| A mm ² | B mm ² | Weld & Ignition Powder | Mould |
|-------------------|-------------------|------------------------|----------------|
| 10 | 10 | RWP 32 | RCC6-R4-1010 |
| 16 | 16 | RWP 32 | RCC6-R4-1616 |
| 25 | 25 | RWP 32 | RCC6-R4-2525 |
| 35 | 35 | RWP 65 | RCC6-R4-3535 |
| 35 | 25 | RWP 45 | RCC6-R4-3525 |
| 50 | 50 | RWP 90 | RCC6-R4-5050 |
| 50 | 35 | RWP 65 | RCC6-R4-5035 |
| 50 | 25 | RWP 65 | RCC6-R4-5025 |
| 70 | 70 | RWP 115 | RCC6-R4-7070 |
| 70 | 50 | RWP 115 | RCC6-R4-7050 |
| 70 | 35 | RWP 90 | RCC6-R4-7035 |
| 70 | 25 | RWP 90 | RCC6-R4-7025 |
| 95 | 95 | RWP 150 | RCC6-R4-9595 |
| 95 | 70 | RWP 150 | RCC6-R4-9570 |
| 95 | 50 | RWP 115 | RCC6-R4-9550 |
| 95 | 35 | RWP 115 | RCC6-R4-9535 |
| 120 | 120 | RWP 200 | RCC6-R4-120120 |
| 120 | 95 | RWP 200 | RCC6-R4-12095 |
| 120 | 70 | RWP 150 | RCC6-R4-12070 |
| 120 | 50 | RWP 115 | RCC6-R4-12050 |
| 150 | 150 | RWP 250 | RCC6-R4-150150 |
| 150 | 120 | RWP 250 | RCC6-R4-150120 |
| 150 | 95 | RWP 200 | RCC6-R4-15095 |
| 150 | 70 | RWP 150 | RCC6-R4-15070 |
| 185 | 185 | RWP 250 | RCC6-R4-185185 |
| 185 | 150 | RWP 250 | RCC6-R4-185150 |
| 185 | 120 | RWP 200 | RCC6-R4-185120 |
| 185 | 95 | RWP 150 | RCC6-R4-18595 |
| 240 | 240 | 2 X RWP 150 | RCC6-R5-240240 |
| 240 | 185 | RWP 250 | RCC6-R4-240185 |
| 240 | 150 | RWP 250 | RCC6-R4-240150 |
| 240 | 120 | RWP 200 | RCC6-R4-240120 |



* Representative sizes shown in here. Other sizes are also available on request.

* CABLE TO CABLE RCC7

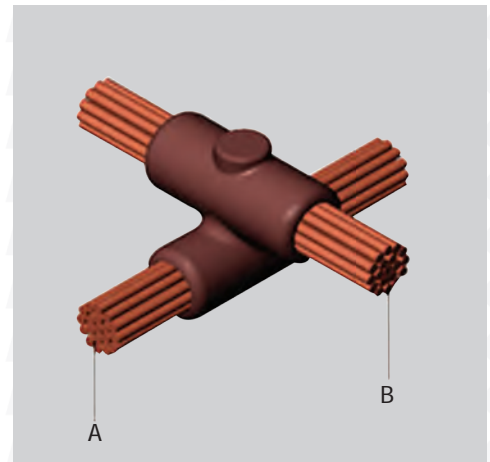
| A mm ² | B mm ² | Weld & Ignition Powder | Mould |
|----------------------|----------------------|---------------------------|----------------|
| 10 | 10 | RWP 045 | RCC7-R4-1010 |
| 16 | 16 | RWP 045 | RCC7-R4-1616 |
| 25 | 25 | RWP 045 | RCC7-R4-2525 |
| 35 | 35 | RWP 065 | RCC7-R4-3535 |
| 35 | 30 | RWP 065 | RCC7-R4-3530 |
| 35 | 25 | RWP 065 | RCC7-R4-3525 |
| 8 mm Ø | 8 mm Ø | RWP 090 | RCC7-R4-88SC |
| 50 | 50 | RWP 090 | RCC7-R4-5050 |
| 50 | 35 | RWP 090 | RCC7-R4-5035 |
| 50 | 25 | RWP 065 | RCC7-R4-5025 |
| 10 mm Ø | 10 mm Ø | RWP 115 | RCC7-R4-1010SC |
| 70 | 70 | RWP 115 | RCC7-R4-7070 |
| 70 | 50 | RWP 115 | RCC7-R4-7050 |
| 70 | 35 | RWP 090 | RCC7-R4-7035 |
| 70 | 30 | RWP 090 | RCC7-R4-7030 |
| 70 | 25 | RWP 090 | RCC7-R4-7025 |
| 95 | 95 | RWP 150 | RCC7-R4-9595 |
| 95 | 70 | RWP 115 | RCC7-R4-9570 |
| 95 | 50 | RWP 115 | RCC7-R4-9550 |
| 95 | 35 | RWP 115 | RCC7-R4-9535 |
| 120 | 120 | RWP 200 | RCC7-R4-120120 |
| 120 | 95 | RWP 200 | RCC7-R4-12095 |
| 120 | 70 | RWP 150 | RCC7-R4-12070 |
| 120 | 50 | RWP 150 | RCC7-R4-12050 |
| 120 | 35 | RWP 150 | RCC7-R4-12035 |
| 150 | 150 | 2 X RWP 150 | RCC7-R5-150150 |
| 150 | 120 | RWP 250 | RCC7-R4-150120 |
| 150 | 95 | RWP 200 | RCC7-R4-15095 |
| 150 | 70 | RWP 150 | RCC7-R4-15070 |
| 150 | 50 | RWP 150 | RCC7-R4-15050 |
| 185 | 185 | 2 X RWP 150 | RCC7-R5-185185 |
| 185 | 150 | 2 X RWP 150 | RCC7-R5-185150 |
| 185 | 120 | RWP 250 | RCC7-R4-185120 |
| 185 | 95 | RWP 200 | RCC7-R4-18595 |
| 185 | 70 | RWP 200 | RCC7-R4-18570 |
| 240 | 240 | 2 X RWP 200 | RCC7-R5-240240 |
| 240 | 185 | 2 X RWP 150 | RCC7-R5-240185 |
| 240 | 150 | 2 X RWP 150 | RCC7-R5-240150 |
| 240 | 120 | RWP 250 | RCC7-R4-240120 |
| 240 | 95 | RWP 250 | RCC7-R4-24095 |
| 300 | 300 | 2 X RWP 250 | RCC7-R5-300300 |
| 300 | 240 | 2 X RWP 250 | RCC7-R5-300240 |
| 300 | 185 | 2 X RWP 200 | RCC7-R5-300185 |
| 300 | 150 | 2 X RWP 150 | RCC7-R5-300150 |
| 300 | 120 | 2 X RWP 150 | RCC7-R5-300120 |



* Representative sizes shown in here. Other sizes are also available on request.

*** CABLE TO CABLE RCC11**

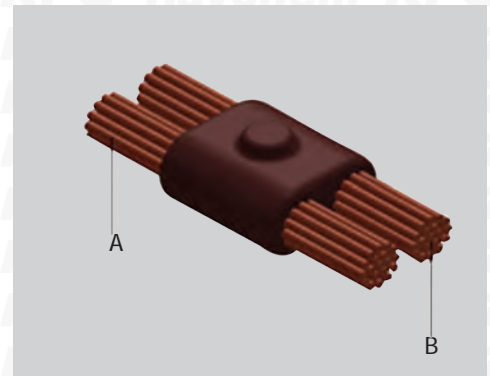
| A mm ² | B mm ² | Weld & Ignition Powder | Mould |
|-------------------|-------------------|------------------------|-----------------|
| 10 | 10 | RWP 065 | RCC11-R4-1010 |
| 16 | 16 | RWP 065 | RCC11-R4-1616 |
| 25 | 25 | RWP 065 | RCC11-R4-2525 |
| 35 | 25 | RWP 090 | RCC11-R4-3525 |
| 35 | 35 | RWP 090 | RCC11-R4-3535 |
| 50 | 25 | RWP 115 | RCC11-R4-5025 |
| 50 | 35 | RWP 150 | RCC11-R4-5035 |
| 50 | 50 | RWP 150 | RCC11-R4-5050 |
| 70 | 25 | RWP 150 | RCC11-R4-7025 |
| 70 | 35 | RWP 150 | RCC11-R4-7035 |
| 70 | 50 | RWP 200 | RCC11-R4-7050 |
| 70 | 70 | RWP 200 | RCC11-R4-7070 |
| 95 | 35 | RWP 200 | RCC11-R4-9535 |
| 95 | 50 | RWP 200 | RCC11-R4-9550 |
| 95 | 70 | RWP 250 | RCC11-R4-9570 |
| 95 | 95 | RWP 250 | RCC11-R4-9595 |
| 120 | 25 | RWP 200 | RCC11-R4-12025 |
| 120 | 35 | RWP 200 | RCC11-R4-12035 |
| 120 | 50 | RWP 250 | RCC11-R4-12050 |
| 120 | 70 | RWP 250 | RCC11-R4-12070 |
| 120 | 95 | 2 X RWP 150 | RCC11-R5-12095 |
| 120 | 120 | 2 X RWP 150 | RCC11-R5-120120 |
| 150 | 50 | RWP 250 | RCC11-R4-15050 |
| 150 | 70 | 2 X RWP 150 | RCC11-R5-15070 |
| 150 | 95 | 2 X RWP 150 | RCC11-R5-15095 |
| 150 | 120 | 2 X RWP 200 | RCC11-R5-150120 |
| 150 | 150 | 2 X RWP 200 | RCC11-R5-150150 |
| 185 | 70 | 2 X RWP 150 | RCC11-R5-18570 |
| 185 | 95 | 2 X RWP 200 | RCC11-R5-18595 |
| 185 | 120 | 2 X RWP 250 | RCC11-R5-185120 |
| 185 | 150 | 2 X RWP 250 | RCC11-R5-185150 |
| 185 | 185 | 2 X RWP 250 | RCC11-R5-185185 |
| 240 | 95 | 2 X RWP 250 | RCC11-R5-24095 |
| 240 | 120 | 2 X RWP 250 | RCC11-R5-240120 |
| 240 | 150 | 3 X RWP 200 | RCC11-R5-240150 |
| 240 | 185 | 3 X RWP 200 | RCC11-R5-240185 |
| 240 | 240 | 3 X RWP 250 | RCC11-R5-240240 |
| 300 | 300 | 4 X RWP 250 | RCC11-R5-300300 |
| 400 | 400 | 5 X RWP 250 | RCC11-R5-400400 |
| 8 mm Ø | 8 mm Ø | RWP 150 | RCC11-R4-88SC |
| 10 mm Ø | 10 mm Ø | RWP 150 | RCC11-R4-1010SC |



* Representative sizes shown in here. Other sizes are also available on request.

* CABLE TO CABLE RCC14

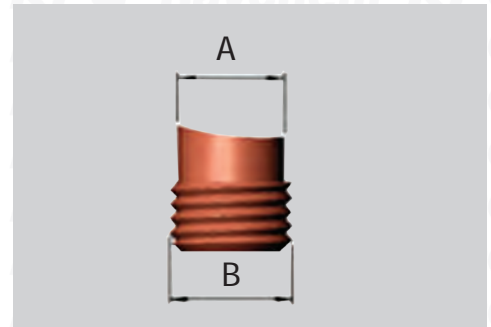
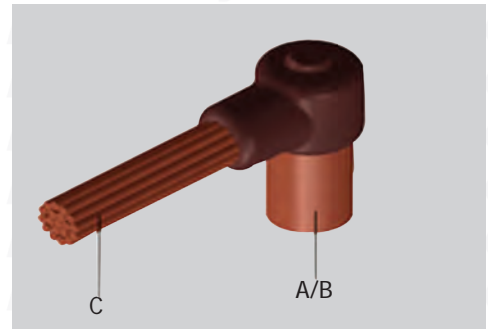
| A mm ² | B mm ² | Weld & Ignition Powder | Mould |
|----------------------|----------------------|---------------------------|-----------------|
| 10 | 10 | RWP 045 | RCC14-R4-1010 |
| 16* | 16 | RWP 045 | RCC14-R4-1616 |
| 25 | 25 | RWP 045 | RCC14-R4-2525 |
| 35 | 35 | RWP 065 | RCC14-R4-3535 |
| 35 | 25 | RWP 065 | RCC14-R4-3525 |
| 8 mm Ø | 8 mm Ø | RWP 090 | RCC14-R4-88SC |
| 50 | 50 | RWP 090 | RCC14-R4-5050 |
| 50 | 35 | RWP 090 | RCC14-R4-5035 |
| 50 | 25 | RWP 090 | RCC14-R4-5025 |
| 10 mm Ø | 10 mm Ø | RWP 115 | RCC14-R4-1010SC |
| 70 | 70 | RWP 115 | RCC14-R4-7070 |
| 70 | 50 | RWP 115 | RCC14-R4-7050 |
| 70 | 35 | RWP 090 | RCC14-R4-7035 |
| 70 | 25 | RWP 090 | RCC14-R4-7025 |
| 95 | 95 | RWP 150 | RCC14-R4-9595 |
| 95 | 70 | RWP 150 | RCC14-R4-9570 |
| 95 | 50 | RWP 150 | RCC14-R4-9550 |
| 95 | 35 | RWP 115 | RCC14-R4-9535 |
| 120 | 120 | RWP 200 | RCC14-R4-120120 |
| 120 | 95 | RWP 200 | RCC14-R4-12095 |
| 120 | 70 | RWP 200 | RCC14-R4-12070 |
| 120 | 50 | RWP 150 | RCC14-R4-12050 |
| 120 | 35 | RWP 150 | RCC14-R4-12035 |
| 150 | 150 | 2 X RWP 150 | RCC14-R5-150150 |
| 150 | 120 | RWP 250 | RCC14-R4-150120 |
| 150 | 95 | RWP 200 | RCC14-R4-15095 |
| 150 | 70 | RWP 150 | RCC14-R4-15070 |
| 150 | 50 | RWP 150 | RCC14-R4-15050 |
| 185 | 185 | 2 X RWP 150 | RCC14-R5-185185 |
| 185 | 150 | 2 X RWP 150 | RCC14-R5-185150 |
| 185 | 120 | RWP 250 | RCC14-R4-185120 |
| 185 | 95 | RWP 200 | RCC14-R4-18595 |
| 185 | 70 | RWP 200 | RCC14-R4-18570 |
| 240 | 240 | 2 X RWP 200 | RCC14-R5-240240 |
| 240 | 185 | 2 X RWP 150 | RCC14-R5-240185 |
| 240 | 150 | 2 X RWP 150 | RCC14-R5-240150 |
| 240 | 120 | RWP 250 | RCC14-R4-240120 |
| 240 | 95 | RWP 250 | RCC14-R4-24095 |
| 300 | 300 | 2 X RWP 250 | RCC14-R5-300300 |
| 300 | 240 | 2 X RWP 250 | RCC14-R5-300240 |
| 300 | 185 | 2 X RWP 200 | RCC14-R5-300185 |
| 300 | 150 | 2 X RWP 150 | RCC14-R5-300150 |
| 300 | 120 | 2 X RWP 150 | RCC14-R5-300120 |



* Representative sizes shown in here. Other sizes are also available on request.

*** CABLE TO EARTH ROD RCR1**

| A mm | B Inches | C mm ² | Weld & Ignition Powder | Mould |
|------|----------|-------------------|------------------------|----------------|
| 11.1 | - | 25 | RWP 065 | RCR1-R4-11125 |
| 11.1 | - | 35 | RWP 065 | RCR1-R4-11135 |
| 11.1 | - | 50 | RWP 065 | RCR1-R4-11150 |
| 11.1 | - | 70 | RWP 090 | RCR1-R4-11170 |
| 11.1 | - | 95 | RWP 090 | RCR1-R4-11195 |
| 11.1 | - | 120 | RWP 090 | RCR1-R4-111120 |
| 11.1 | - | 150 | RWP 090 | RCR1-R4-111150 |
| 12.7 | 1/2" | 16 | RWP 045 | RCR1-R4-12716 |
| 12.7 | 1/2" | 25 | RWP 065 | RCR1-R4-12725 |
| 12.7 | 1/2" | 30 | RWP 065 | RCR1-R4-12730 |
| 12.7 | 1/2" | 35 | RWP 065 | RCR1-R4-12735 |
| 12.7 | 1/2" | 50 | RWP 065 | RCR1-R4-12750 |
| 12.7 | 1/2" | 8 mm Ø | RWP 065 | RCR1-R4-1278SC |
| 12.7 | 1/2" | 70 | RWP 090 | RCR1-R4-12770 |
| 12.7 | 1/2" | 95 | RWP 090 | RCR1-R4-12795 |
| 12.7 | 1/2" | 120 | RWP 090 | RCR1-R4-127120 |
| 12.7 | 1/2" | 150 | RWP 115 | RCR1-R4-127150 |
| 12.7 | 1/2" | 185 | RWP 115 | RCR1-R4-127185 |
| 12.7 | 1/2" | 240 | RWP 150 | RCR1-R4-127240 |
| 12.7 | 1/2" | 300 | RWP 150 | RCR1-R4-127300 |
| 14.2 | 5/8" | 16* | RWP 065 | RCR1-R4-14216 |
| 14.2 | 5/8" | 25 | RWP 065 | RCR1-R4-14225 |
| 14.2 | 5/8" | 30 | RWP 065 | RCR1-R4-14230 |
| 14.2 | 5/8" | 35 | RWP 065 | RCR1-R4-14235 |
| 14.2 | 5/8" | 50 | RWP 090 | RCR1-R4-14250 |
| 14.2 | 5/8" | 8 mm Ø | RWP 090 | RCR1-R4-1428SC |
| 14.2 | 5/8" | 70 | RWP 090 | RCR1-R4-14270 |
| 14.2 | 5/8" | 95 | RWP 090 | RCR1-R4-14295 |
| 14.2 | 5/8" | 120 | RWP 090 | RCR1-R4-142120 |
| 14.2 | 5/8" | 150 | RWP 115 | RCR1-R4-142150 |
| 14.2 | 5/8" | 185 | RWP 115 | RCR1-R4-142185 |
| 14.2 | 5/8" | 240 | RWP 150 | RCR1-R4-142240 |
| 14.2 | 5/8" | 300 | RWP 200 | RCR1-R4-142300 |
| 17.2 | 3/4" | 16 | RWP 065 | RCR1-R4-17216 |
| 17.2 | 3/4" | 25 | RWP 065 | RCR1-R4-17225 |
| 17.2 | 3/4" | 30 | RWP 090 | RCR1-R4-17230 |
| 17.2 | 3/4" | 35 | RWP 065 | RCR1-R4-17235 |
| 17.2 | 3/4" | 50 | RWP 090 | RCR1-R4-17250 |
| 17.2 | 3/4" | 8 mm Ø | RWP 090 | RCR1-R4-1728SC |
| 17.2 | 3/4" | 70 | RWP 090 | RCR1-R4-17270 |
| 17.2 | 3/4" | 95 | RWP 090 | RCR1-R4-17295 |
| 17.2 | 3/4" | 120 | RWP 090 | RCR1-R4-172120 |

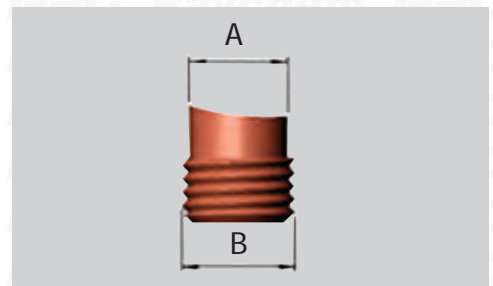
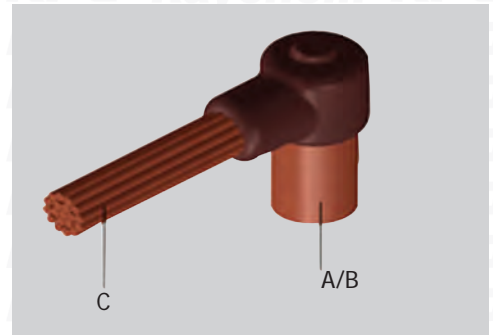


Continued...

* Representative sizes shown in here. Other sizes are also available on request.

*** CABLE TO EARTH ROD RCR1 Continued**

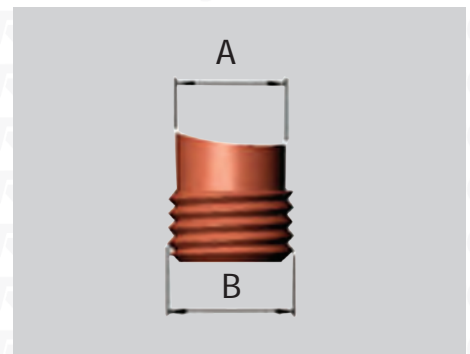
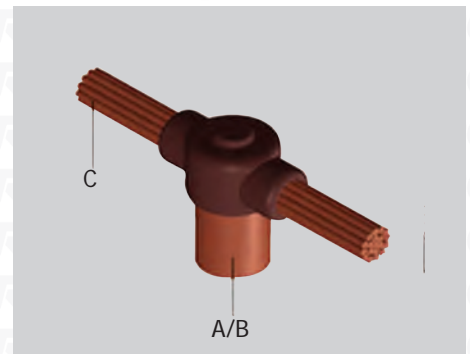
| A mm | B Inches | C mm ² | Weld & Ignition Powder | Mould |
|------|----------|-------------------|------------------------|----------------|
| 17.2 | 3/4" | 150 | RWP 115 | RCR1-R4-172150 |
| 17.2 | 3/4" | 185 | RWP 115 | RCR1-R4-172185 |
| 17.2 | 3/4" | 240 | RWP 150 | RCR1-R4-172240 |
| 17.2 | 3/4" | 300 | RWP 200 | RCR1-R4-172300 |
| 25.4 | 1" | 25 | RWP 150 | RCR1-R4-25425 |
| 25.4 | 1" | 30 | RWP 150 | RCR1-R4-25430 |
| 25.4 | 1" | 35 | RWP 150 | RCR1-R4-25435 |
| 25.4 | 1" | 50 | RWP 150 | RCR1-R4-25450 |
| 25.4 | 1" | 70 | RWP 150 | RCR1-R4-25470 |
| 25.4 | 1" | 95 | RWP 150 | RCR1-R4-25495 |
| 25.4 | 1" | 120 | RWP 150 | RCR1-R4-254120 |
| 25.4 | 1" | 150 | RWP 200 | RCR1-R4-254150 |
| 25.4 | 1" | 185 | RWP 200 | RCR1-R4-254185 |
| 25.4 | 1" | 240 | RWP 200 | RCR1-R4-254240 |
| 25.4 | 1" | 300 | RWP 200 | RCR1-R4-254300 |



* Representative sizes shown in here. Other sizes are also available on request.

*** CABLE TO EARTH ROD RCR2**

| A mm Ø | B Inches Ø | C mm ² | Weld & Ignition Powder | Mould |
|--------------|------------------|----------------------|---------------------------|----------------|
| 11.1 | - | 25 | RWP 90 | RCR2-R4-11125 |
| 11.1 | - | 30 | RWP 90 | RCR2-R4-11130 |
| 11.1 | - | 35 | RWP 90 | RCR2-R4-11135 |
| 11.1 | - | 50 | RWP 90 | RCR2-R4-11150 |
| 11.1 | - | 70 | RWP 90 | RCR2-R4-11170 |
| 11.1 | - | 95 | RWP 115 | RCR2-R4-11195 |
| 11.1 | - | 120 | RWP 150 | RCR2-R4-111120 |
| 11.1 | - | 150 | RWP 150 | RCR2-R4-111150 |
| 12.7 | 1/2" | 16 | RWP 090 | RCR2-R4-12716 |
| 12.7 | 1/2" | 25 | RWP 090 | RCR2-R4-12725 |
| 12.7 | 1/2" | 30 | RWP 090 | RCR2-R4-12730 |
| 12.7 | 1/2" | 35 | RWP 090 | RCR2-R4-12735 |
| 12.7 | 1/2" | 50 | RWP 090 | RCR2-R4-12750 |
| 12.7 | 1/2" | 8 mm Ø | RWP 065 | RCR2-R4-1278SC |
| 12.7 | 1/2" | 70 | RWP 090 | RCR2-R4-12770 |
| 12.7 | 1/2" | 95 | RWP 115 | RCR2-R4-12795 |
| 12.7 | 1/2" | 120 | RWP 150 | RCR2-R4-127120 |
| 12.7 | 1/2" | 150 | RWP 150 | RCR2-R4-127150 |
| 12.7 | 1/2" | 185 | RWP 200 | RCR2-R4-127185 |
| 12.7 | 1/2" | 240 | RWP 200 | RCR2-R4-127240 |
| 12.7 | 1/2" | 300 | RWP 250 | RCR2-R4-127300 |
| 14.2 | 5/8" | 16 | RWP 065 | RCR2-R4-14216 |
| 14.2 | 5/8" | 25 | RWP 090 | RCR2-R4-14225 |
| 14.2 | 5/8" | 30 | RWP 090 | RCR2-R4-14230 |
| 14.2 | 5/8" | 35 | RWP 090 | RCR2-R4-14235 |
| 14.2 | 5/8" | 50 | RWP 090 | RCR2-R4-14250 |
| 14.2 | 5/8" | 8 mm Ø | RWP 090 | RCR2-R4-1428SC |
| 14.2 | 5/8" | 70 | RWP 115 | RCR2-R4-14270 |
| 14.2 | 5/8" | 95 | RWP 115 | RCR2-R4-14295 |
| 14.2 | 5/8" | 120 | RWP 150 | RCR2-R4-142120 |
| 14.2 | 5/8" | 150 | RWP 200 | RCR2-R4-142150 |
| 14.2 | 5/8" | 185 | RWP 200 | RCR2-R4-142185 |
| 14.2 | 5/8" | 240 | RWP 250 | RCR2-R4-142240 |
| 14.2 | 5/8" | 300 | 2 X RWP 150 | RCR2-R5-142300 |
| 17.2 | 3/4" | 16* | RWP 090 | RCR2-R4-17216 |
| 17.2 | 3/4" | 25 | RWP 090 | RCR2-R4-17225 |
| 17.2 | 3/4" | 30 | RWP 090 | RCR2-R4-17230 |
| 17.2 | 3/4" | 35 | RWP 090 | RCR2-R4-17235 |
| 17.2 | 3/4" | 50 | RWP 115 | RCR2-R4-17250 |

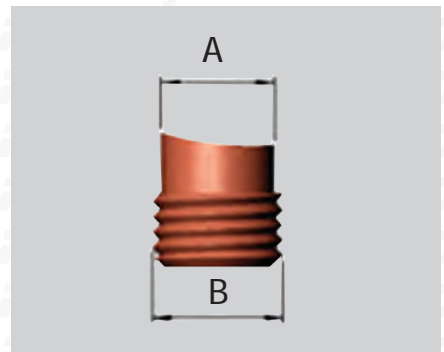
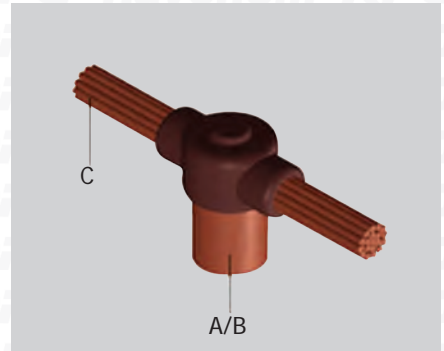


Continued...

* Representative sizes shown in here. Other sizes are also available on request.

*** CABLE TO EARTH ROD RCR2 Continued**

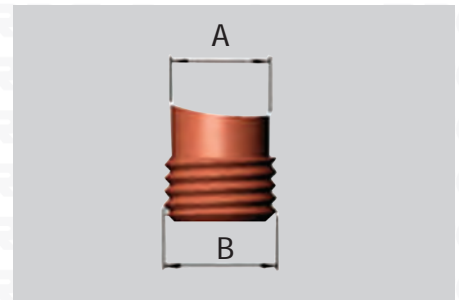
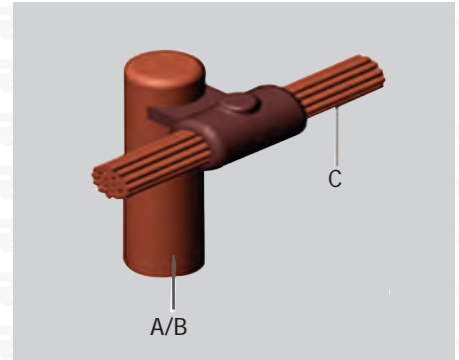
| A mm Ø | B Inches Ø | C mm ² | Weld & Ignition Powder | Mould |
|--------------|------------------|----------------------|---------------------------|----------------|
| 17.2 | 3/4" | 8 mm Ø | RWP 115 | RCR2-R4-1728SC |
| 17.2 | 3/4" | 70 | RWP 115 | RCR2-R4-17270 |
| 17.2 | 3/4" | 95 | RWP 115 | RCR2-R4-17295 |
| 17.2 | 3/4" | 120 | RWP 150 | RCR2-R4-172120 |
| 17.2 | 3/4" | 150 | RWP 200 | RCR2-R4-172150 |
| 17.2 | 3/4" | 185 | RWP 200 | RCR2-R4-172185 |
| 17.2 | 3/4" | 240 | RWP 250 | RCR2-R4-172240 |
| 17.2 | 3/4" | 300 | 2 X RWP 150 | RCR2-R5-172300 |
| 25.4 | 1" | 25 | RWP 150 | RCR2-R4-25425 |
| 25.4 | 1" | 30 | RWP 150 | RCR2-R4-25430 |
| 25.4 | 1" | 35 | RWP 150 | RCR2-R4-25435 |
| 25.4 | 1" | 50 | RWP 150 | RCR2-R4-25450 |
| 25.4 | 1" | 70 | RWP 150 | RCR2-R4-25470 |
| 25.4 | 1" | 95 | RWP 150 | RCR2-R4-25495 |
| 25.4 | 1" | 120 | RWP 200 | RCR2-R4-254120 |
| 25.4 | 1" | 150 | RWP 200 | RCR2-R4-254150 |
| 25.4 | 1" | 185 | RWP 250 | RCR2-R4-254185 |
| 25.4 | 1" | 240 | RWP 250 | RCR2-R4-254240 |
| 25.4 | 1" | 300 | 2 X RWP 150 | RCR2-R4-254300 |



* Representative sizes shown in here. Other sizes are also available on request.

*** CABLE TO EARTH ROD RCR3**

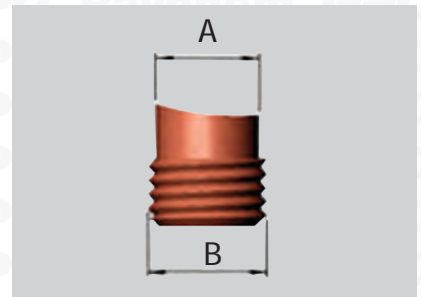
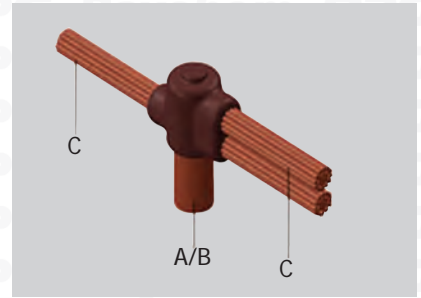
| A mm Ø | B Inches Ø | C mm ² | Weld & Ignition Powder | Mould |
|--------------|------------------|----------------------|---------------------------|-----------------|
| 12.7 | 1/2" | 16 | RWP 090 | RCR3-R9-12716 |
| 12.7 | 1/2" | 25 | RWP 090 | RCR3-R9-12725 |
| 12.7 | 1/2" | 35 | RWP 090 | RCR3-R9-12735 |
| 12.7 | 1/2" | 50 | RWP 115 | RCR3-R9-12750 |
| 12.7 | 1/2" | 8 mm Ø | RWP 115 | RCR3-R9-1278SC |
| 12.7 | 1/2" | 70 | RWP 115 | RCR3-R9-12770 |
| 12.7 | 1/2" | 95 | RWP 115 | RCR3-R9-127R95 |
| 12.7 | 1/2" | 120 | RWP 150 | RCR3-R9-127120 |
| 12.7 | 1/2" | 150 | - | RCR3-R9-127120 |
| 12.7 | 1/2" | 185 | - | RCR3-R9-127120 |
| 12.7 | 1/2" | 240 | - | RCR3-R9-127120 |
| 12.7 | 1/2" | 300 | - | RCR3-R9-127120 |
| 14.2 | 5/8" | 16* | RWP 090 | RCR3-R9-14216 |
| 14.2 | 5/8" | 25 | RWP 090 | RCR3-R9-14225 |
| 14.2 | 5/8" | 35 | RWP 090 | RCR3-R9-14235 |
| 14.2 | 5/8" | 50 | RWP 115 | RCR3-R9-14250 |
| 14.2 | 5/8" | 8 mm Ø | RWP 115 | RCR3-R9-1428SC |
| 14.2 | 5/8" | 70 | RWP 115 | RCR3-R9-14270 |
| 14.2 | 5/8" | 95 | RWP 115 | RCR3-R9-142R95 |
| 14.2 | 5/8" | 120 | RWP 150 | RCR3-R9-142120 |
| 14.2 | 5/8" | 150 | RWP 150 | RCR3-R9-142150 |
| 14.2 | 5/8" | 185 | RWP 200 | RCR3-R9-142185 |
| 14.2 | 5/8" | 240 | 2 x RWP 200 | RCR3-R10-142240 |
| 14.2 | 5/8" | 300 | - | RCR3-R10-142300 |
| 17.2 | 3/4" | 16 | RWP 090 | RCR3-R9-17216 |
| 17.2 | 3/4" | 25 | RWP 090 | RCR3-R9-17225 |
| 17.2 | 3/4" | 35 | RWP 090 | RCR3-R9-17235 |
| 17.2 | 3/4" | 50 | RWP 115 | RCR3-R9-17250 |
| 17.2 | 3/4" | 8 mm Ø | RWP 115 | RCR3-R9-1728SC |
| 17.2 | 3/4" | 70 | RWP 150 | RCR3-R9-17270 |
| 17.2 | 3/4" | 95 | RWP 150 | RCR3-R9-172R95 |
| 17.2 | 3/4" | 120 | RWP 200 | RCR3-R9-172120 |
| 17.2 | 3/4" | 150 | RWP 250 | RCR3-R9-172150 |
| 17.2 | 3/4" | 185 | 2 x RWP 200 | RCR3-R10-172185 |
| 17.2 | 3/4" | 240 | 2 x RWP 250 | RCR3-R10-172240 |
| 17.2 | 3/4" | 300 | 3 x RWP 200 | RCR3-R10-172300 |



* Representative sizes shown in here. Other sizes are also available on request.

* CABLE TO EARTH ROD RCR17

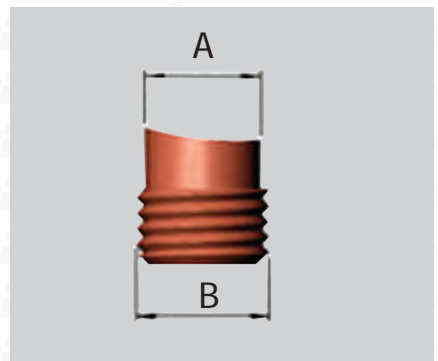
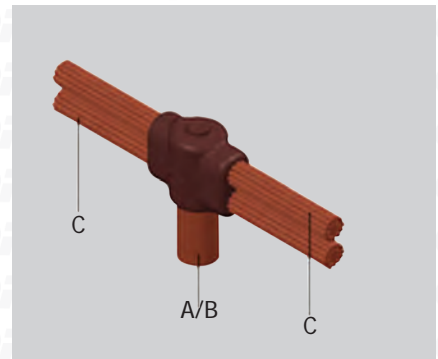
| A mm Ø | B Inches Ø | C mm ² | Weld & Ignition Powder | Mould |
|--------------|------------------|----------------------|---------------------------|-----------------|
| 12.7 | 1/2" | 16 | RWP 090 | RCR17-R4-12716 |
| 12.7 | 1/2" | 25 | RWP 090 | RCR17-R4-12725 |
| 12.7 | 1/2" | 30 | RWP 090 | RCR17-R4-12730 |
| 12.7 | 1/2" | 35 | RWP 115 | RCR17-R4-12735 |
| 12.7 | 1/2" | 50 | RWP 115 | RCR17-R4-12750 |
| 12.7 | 1/2" | 8 mm Ø | RWP 115 | RCR17-R4-1278SC |
| 12.7 | 1/2" | 70 | RWP 150 | RCR17-R4-12770 |
| 12.7 | 1/2" | 95 | RWP 200 | RCR17-R4-12795 |
| 12.7 | 1/2" | 120 | RWP 250 | RCR17-R4-127120 |
| 14.2 | 5/8" | 16 | RWP 90 | RCR17-R4-14216 |
| 14.2 | 5/8" | 25 | RWP 90 | RCR17-R4-14225 |
| 14.2 | 5/8" | 30 | RWP 115 | RCR17-R4-14230 |
| 14.2 | 5/8" | 35 | RWP 115 | RCR17-R4-14235 |
| 14.2 | 5/8" | 50 | RWP 150 | RCR17-R4-14250 |
| 14.2 | 5/8" | 8 mm Ø | RWP 115 | RCR17-R4-1428SC |
| 14.2 | 5/8" | 70 | RWP 200 | RCR17-R4-14270 |
| 14.2 | 5/8" | 95 | RWP 250 | RCR17-R4-14295 |
| 14.2 | 5/8" | 120 | 2 x RWP 150 | RCR17-R5-142120 |
| 14.2 | 5/8" | 150 | 2 x RWP 200 | RCR17-R5-142150 |
| 14.2 | 5/8" | 185 | 2 x RWP 150 | RCR17-R5-142185 |
| 14.2 | 5/8" | 240 | 3 x RWP 200 | RCR17-R5-142240 |
| 17.2 | 3/4" | 16 | RWP 115 | RCR17-R4-17216 |
| 17.2 | 3/4" | 25 | RWP 115 | RCR17-R4-17225 |
| 17.2 | 3/4" | 30 | RWP 115 | RCR17-R4-17230 |
| 17.2 | 3/4" | 35 | RWP 150 | RCR17-R4-17235 |
| 17.2 | 3/4" | 50 | RWP 150 | RCR17-R4-17250 |
| 17.2 | 3/4" | 8 mm Ø | RWP 150 | RCR17-R4-1728SC |
| 17.2 | 3/4" | 70 | RWP 200 | RCR17-R4-17270 |
| 17.2 | 3/4" | 95 | RWP 250 | RCR17-R4-17295 |
| 17.2 | 3/4" | 120 | 2 x RWP 150 | RCR17-R5-172120 |
| 17.2 | 3/4" | 150 | 2 x RWP 200 | RCR17-R5-172150 |
| 17.2 | 3/4" | 185 | 3 x RWP 150 | RCR17-R5-172185 |
| 17.2 | 3/4" | 240 | 3 x RWP 200 | RCR17-R5-172240 |
| 17.2 | 3/4" | 300 | 2 x RWP 250 | RCR17-R4-172300 |
| 25.4 | 1" | 25 | RWP 115 | RCR17-R4-25425 |
| 25.4 | 1" | 30 | RWP 150 | RCR17-R4-25430 |
| 25.4 | 1" | 35 | RWP 150 | RCR17-R4-25435 |
| 25.4 | 1" | 50 | RWP 200 | RCR17-R4-25450 |
| 25.4 | 1" | 70 | RWP 250 | RCR17-R4-25470 |
| 25.4 | 1" | 95 | 2 x RWP 150 | RCR17-R5-25495 |
| 25.4 | 1" | 120 | 2 x RWP 200 | RCR17-R5-254120 |
| 25.4 | 1" | 150 | 3 x RWP 150 | RCR17-R5-254150 |
| 25.4 | 1" | 185 | 3 x RWP 200 | RCR17-R5-254185 |
| 25.4 | 1" | 240 | 3 x RWP 250 | RCR17-R5-254240 |



* Representative sizes shown in here. Other sizes are also available on request.

*** CABLE TO EARTH ROD RCR24**

| A mm Ø | B Inches Ø | C mm ² | Weld & Ignition Powder | Mould |
|--------------|------------------|----------------------|---------------------------|-----------------|
| 11.1 | - | 25 | RWP 115 | RCR24-R4-11125 |
| 11.1 | - | 30 | RWP 115 | RCR24-R4-11130 |
| 11.1 | - | 35 | RWP 115 | RCR24-R4-11135 |
| 11.1 | - | 50 | RWP 150 | RCR24-R4-11150 |
| 11.1 | - | 70 | RWP 250 | RCR24-R4-11170 |
| 11.1 | - | 95 | RWP 250 | RCR24-R4-11195 |
| 11.1 | - | 120 | 2 X RWP 150 | RCR24-R5-111120 |
| 11.1 | - | 150 | 2 X RWP 200 | RCR24-R5-111150 |
| 12.7 | 1/2" | 16 | RWP 090 | RCR24-R4-12716 |
| 12.7 | 1/2" | 25 | RWP 115 | RCR24-R4-12725 |
| 12.7 | 1/2" | 30 | RWP 115 | RCR24-R4-12730 |
| 12.7 | 1/2" | 35 | RWP 115 | RCR24-R4-12735 |
| 12.7 | 1/2" | 50 | RWP 150 | RCR24-R4-12750 |
| 12.7 | 1/2" | 8 mm Ø | RWP 115 | RCR24-R4-1278SC |
| 12.7 | 1/2" | 70 | RWP 200 | RCR24-R4-12770 |
| 12.7 | 1/2" | 95 | RWP 250 | RCR24-R4-12795 |
| 12.7 | 1/2" | 120 | 2 X RWP 150 | RCR24-R4-127120 |
| 12.7 | 1/2" | 150 | 2 X RWP 200 | RCR24-R4-127150 |
| 14.2 | 5/8" | 16 | RWP 090 | RCR24-R4-14216 |
| 14.2 | 5/8" | 25 | RWP 115 | RCR24-R4-14225 |
| 14.2 | 5/8" | 30 | RWP 150 | RCR24-R4-14230 |
| 14.2 | 5/8" | 35 | RWP 150 | RCR24-R4-14235 |
| 14.2 | 5/8" | 50 | RWP 200 | RCR24-R4-14250 |
| 14.2 | 5/8" | 8 mm Ø | RWP 200 | RCR24-R4-1428SC |
| 14.2 | 5/8" | 70 | RWP 250 | RCR24-R4-14270 |
| 14.2 | 5/8" | 95 | 2 XRWP 150 | RCR24-R5-14295 |
| 14.2 | 5/8" | 120 | 2 X RWP 200 | RCR24-R5-142120 |
| 14.2 | 5/8" | 150 | 3 X RWP 150 | RCR24-R5-142150 |
| 14.2 | 5/8" | 185 | 2 X RWP 250 | RCR24-R5-142185 |
| 14.2 | 5/8" | 240 | 3 X RWP 250 | RCR24-R5-142240 |

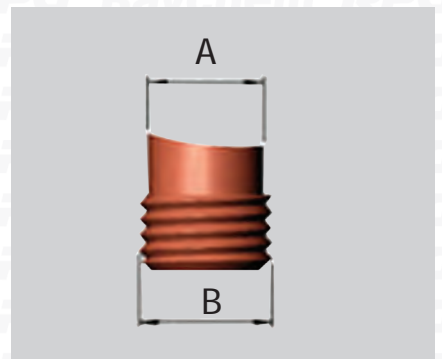
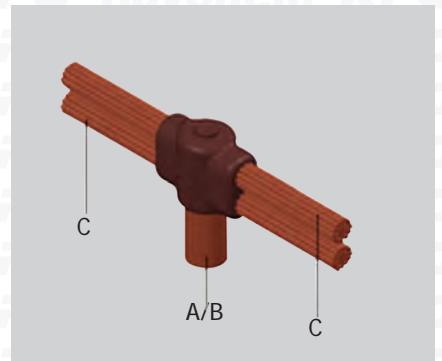


Continued...

* Representative sizes shown in here. Other sizes are also available on request.

*** CABLE TO EARTH ROD RCR24 Continued**

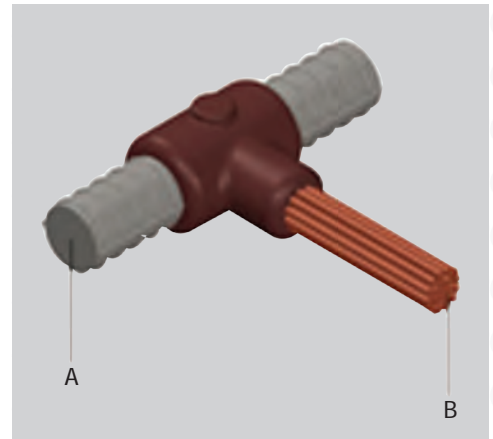
| A mm Ø | B Inches Ø | C mm ² | Weld & Ignition Powder | Mould |
|--------------|------------------|----------------------|---------------------------|-----------------|
| 17.2 | 3/4" | 16 | RWP 115 | RCR24-R4-14216 |
| 17.2 | 3/4" | 25 | RWP 115 | RCR24-R4-17225 |
| 17.2 | 3/4" | 30 | RWP 150 | RCR24-R4-17230 |
| 17.2 | 3/4" | 35 | RWP 150 | RCR24-R4-17235 |
| 17.2 | 3/4" | 50 | RWP 200 | RCR24-R4-17250 |
| 17.2 | 3/4" | 8 mm Ø | RWP 250 | RCR24-R4-1728SC |
| 17.2 | 3/4" | 70 | RWP 250 | RCR24-R4-17270 |
| 17.2 | 3/4" | 95 | 2 X RWP 150 | RCR24-R4-17295 |
| 17.2 | 3/4" | 120 | 2 X RWP 200 | RCR24-R5-172120 |
| 17.2 | 3/4" | 150 | 3 X RWP 150 | RCR24-R5-172150 |
| 17.2 | 3/4" | 185 | 3 X RWP 200 | RCR24-R5-172185 |
| 17.2 | 3/4" | 240 | 3 X RWP 250 | RCR24-R5-172240 |
| 17.2 | 3/4" | 300 | 3 X RWP 250 | RCR24-R5-172300 |
| 25.4 | 1" | 25 | RWP 150 | RCR24-R4-25425 |
| 25.4 | 1" | 30 | RWP 200 | RCR24-R4-25430 |
| 25.4 | 1" | 35 | RWP 200 | RCR24-R4-25435 |
| 25.4 | 1" | 50 | RWP 250 | RCR24-R4-25450 |
| 25.4 | 1" | 70 | 2 X RWP 150 | RCR24-R5-25470 |
| 25.4 | 1" | 95 | 2 X RWP 200 | RCR24-R5-25495 |
| 25.4 | 1" | 120 | 2 X RWP 250 | RCR24-R5-254120 |
| 25.4 | 1" | 150 | 3 X RWP 200 | RCR24-R5-254150 |
| 25.4 | 1" | 185 | 3 X RWP 250 | RCR24-R5-254185 |
| 25.4 | 1" | 240 | 4 X RWP 250 | RCR24-R5-254240 |



* Representative sizes shown in here. Other sizes are also available on request.

* CABLE TO REINFORCING BAR RCRE2

| A mm ² | B mm ² | Weld & Ignition Powder | Mould |
|-------------------|-------------------|------------------------|------------------|
| 12 | 240 | RWP 250 | RCRE2-R4-12R240 |
| 13 | 25 | RWP 090 | RCRE2-R4-13R25 |
| 13 | 35 | RWP 090 | RCRE2-R4-13R35 |
| 13 | 50 | RWP 115 | RCRE2-R4-13R50 |
| 13 | 70 | RWP 115 | RCRE2-R4-13R70 |
| 13 | 95 | RWP 150 | RCRE2-R4-13R95 |
| 16 | 16 | RWP 090 | RCRE2-R4-16R16 |
| 16 | 25 | RWP 090 | RCRE2-R4-16R25 |
| 16 | 35 | RWP 090 | RCRE2-R4-16R35 |
| 16 | 8 mm Ø | RWP 115 | RCRE2-R4-16R8SC |
| 16 | 50 | RWP 115 | RCRE2-R4-16R50 |
| 16 | 10 mm Ø | RWP 115 | RCRE2-R4-16R10SC |
| 16 | 70 | RWP 115 | RCRE2-R4-16R70 |
| 16 | 95 | RWP 150 | RCRE2-R4-16R95 |
| 16 | 120 | RWP 150 | RCRE2-R4-16R120 |
| 16 | 150 | RWP 200 | RCRE2-R4-16R150 |
| 16 | 185 | RWP 200 | RCRE2-R4-16R185 |
| 16 | 240 | RWP 250 | RCRE2-R4-16R240 |
| 16 | 300 | 2 X RWP 150 | RCRE2-R4-16R300 |
| 18 | 16* | RWP 115 | RCRE2-R4-18R16 |
| 18 | 25 | RWP 115 | RCRE2-R4-18R25 |
| 18 | 35 | RWP 115 | RCRE2-R4-18R35 |
| 18 | 8 mm Ø | RWP 150 | RCRE2-R4-18R8SC |
| 18 | 50 | RWP 115 | RCRE2-R4-18R50 |
| 18 | 10 mm Ø | RWP 150 | RCRE2-R4-18R10SC |
| 18 | 70 | RWP 150 | RCRE2-R4-18R70 |
| 18 | 95 | RWP 150 | RCRE2-R4-18R95 |
| 18 | 120 | RWP 200 | RCRE2-R4-18R120 |
| 18 | 150 | RWP 200 | RCRE2-R4-18R150 |
| 18 | 185 | RWP 200 | RCRE2-R4-18R185 |
| 18 | 240 | RWP 250 | RCRE2-R4-18R240 |
| 18 | 300 | 2 X RWP 150 | RCRE2-R4-18R300 |
| 20 | 16* | RWP 115 | RCRE2-R4-20R16 |
| 20 | 25 | RWP 115 | RCRE2-R4-20R25 |
| 20 | 35 | RWP 115 | RCRE2-R4-20R35 |
| 20 | 8 mm Ø | RWP 150 | RCRE2-R4-20R8SC |
| 20 | 50 | RWP 150 | RCRE2-R4-20R50 |
| 20 | 10 mm Ø | RWP 150 | RCRE2-R4-20R10SC |
| 20 | 70 | RWP 150 | RCRE2-R4-20R70 |
| 20 | 95 | RWP 200 | RCRE2-R4-20R95 |
| 20 | 120 | RWP 200 | RCRE2-R4-20R120 |
| 20 | 150 | RWP 200 | RCRE2-R4-20R150 |

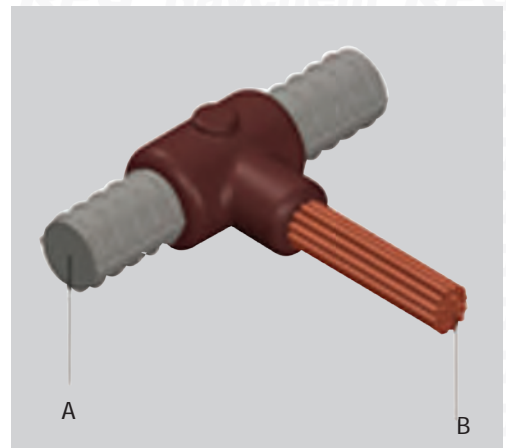


Continued...

* Representative sizes shown in here. Other sizes are also available on request.

*** CABLE TO REINFORCING BAR RCRE2** Continued

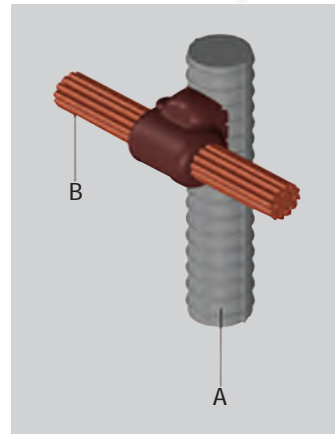
| A mm ² | B mm ² | Weld & Ignition Powder | Mould |
|-------------------|-------------------|------------------------|------------------|
| 20 | 185 | RWP 250 | RCRE2-R4-20R185 |
| 20 | 240 | 2 X RWP 150 | RCRE2-R4-20R240 |
| 20 | 300 | 2 X RWP 200 | RCRE2-R5-20R300 |
| 22 | 35 | RWP 115 | RCRE2-R4-22R35 |
| 22 | 50 | RWP 115 | RCRE2-R4-22R50 |
| 22 | 70 | RWP 150 | RCRE2-R4-22R70 |
| 22 | 95 | RWP 150 | RCRE2-R4-22R95 |
| 25 | 16 | RWP 200 | RCRE2-R4-25R16 |
| 25 | 25 | RWP 200 | RCRE2-R4-25R25 |
| 25 | 35 | RWP 200 | RCRE2-R4-25R35 |
| 25 | 8 mm Ø | RWP 200 | RCRE2-R4-25R8SC |
| 25 | 50 | RWP 200 | RCRE2-R4-25R50 |
| 25 | 10 mm Ø | RWP 250 | RCRE2-R4-25R10SC |
| 25 | 70 | RWP 250 | RCRE2-R4-25R70 |
| 25 | 95 | RWP 250 | RCRE2-R4-25R95 |
| 25 | 120 | RWP 250 | RCRE2-R4-25R120 |
| 25 | 150 | 2 X RWP 150 | RCRE2-R4-25R150 |
| 25 | 185 | 2 X RWP 150 | RCRE2-R5-25R185 |
| 25 | 240 | 2 X RWP 200 | RCRE2-R5-25R240 |
| 25 | 300 | 2 X RWP 200 | RCRE2-R5-25R300 |
| 30 | 16* | RWP 250 | RCRE2-R4-30R16 |
| 30 | 25 | RWP 250 | RCRE2-R4-30R25 |
| 30 | 35 | RWP 250 | RCRE2-R4-30R35 |
| 30 | 8 mm Ø | 2 X RWP 150 | RCRE2-R4-30R8SC |
| 30 | 50 | 2 X RWP 150 | RCRE2-R4-30R50 |
| 30 | 10 mm Ø | 2 X RWP 150 | RCRE2-R4-30R10SC |
| 30 | 70 | 2 X RWP 150 | RCRE2-R4-30R70 |
| 30 | 95 | 2 X RWP 150 | RCRE2-R5-30R95 |
| 30 | 120 | 2 X RWP 200 | RCRE2-R4530R120 |
| 30 | 150 | 2 X RWP 200 | RCRE2-R5-30R150 |
| 30 | 185 | 2 X RWP 250 | RCRE2-R5-30R185 |
| 30 | 240 | 3 X RWP 200 | RCRE2-R5-30R240 |
| 30 | 300 | 3 X RWP 200 | RCRE2-R5-30R300 |
| 32 | 35 | RWP 115 | RCRE2-R4-32R35 |
| 32 | 50 | RWP 150 | RCRE2-R4-32R50 |
| 32 | 70 | RWP 200 | RCRE2-R4-32R70 |
| 32 | 95 | RWP 200 | RCRE2-R5-32R95 |
| 32 | 120 | RWP 250 | RCRE2-R5-32R120 |
| 32 | 240 | 2 X RWP 200 | RCRE2-R5-32R240 |
| 36 | 35 | RWP 115 | RCRE2-R4-36R35 |
| 36 | 50 | RWP 150 | RCRE2-R4-36R50 |
| 36 | 70 | RWP 200 | RCRE2-R4-36R70 |
| 36 | 95 | RWP 200 | RCRE2-R5-36R95 |



* Representative sizes shown in here. Other sizes are also available on request.

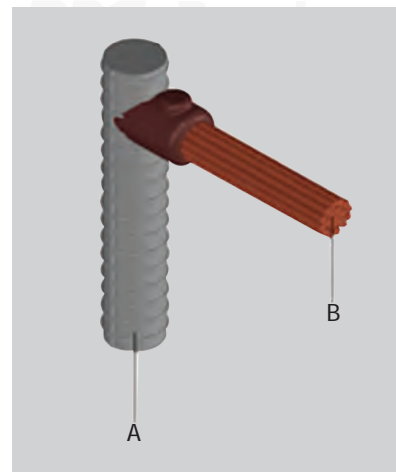
* CABLE TO REINFORCING BAR RCRE3

| A mm ² | B mm ² | Weld & Ignition Powder | Mould |
|-------------------|-------------------|------------------------|---------------|
| 10-40 | 16 | RWP 045 | RCRE3-R3-16 |
| 10-40 | 25 | RWP 045 | RCRE3-R3-25 |
| 10-40 | 35 | RWP 045 | RCRE3-R3-35 |
| 10-40 | 8 mm Ø | RWP 090 | RCRE3-R3-8SC |
| 10-40 | 50 | RWP 090 | RCRE3-R3-50 |
| 10-40 | 10 mm Ø | RWP 090 | RCRE3-R3-10SC |
| 10-40 | 70 | RWP 090 | RCRE3-R3-70 |
| 10-40 | 95 | RWP 090 | RCRE3-R3-95 |
| 10-40 | 120 | RWP 090 | RCRE3-R3-120 |



* CABLE TO REINFORCING BAR RCRE6

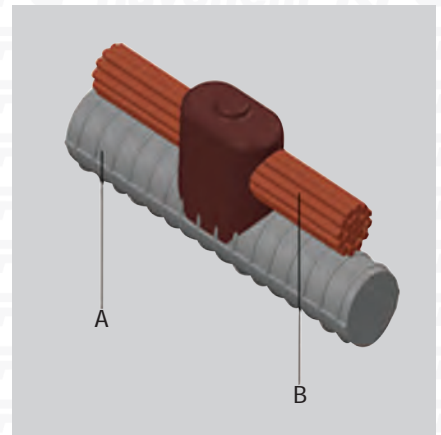
| A mm ² Ø | B mm ² | Weld & Ignition Powder | Mould |
|---------------------|-------------------|------------------------|---------------|
| 10-40 | 16* | RWP 045 | RCRE6-R3-16 |
| 10-40 | 25 | RWP 045 | RCRE6-R3-25 |
| 10-40 | 35 | RWP 045 | RCRE6-R3-35 |
| 10-40 | 8 mm Ø | RWP 065 | RCRE6-R3-8SC |
| 10-40 | 50 | RWP 065 | RCRE6-R3-50 |
| 10-40 | 10 mm Ø | RWP 090 | RCRE6-R3-10SC |
| 10-40 | 70 | RWP 090 | RCRE6-R3-70 |
| 10-40 | 95 | RWP 090 | RCRE6-R3-95 |
| 10-40 | 120 | RWP 115 | RCRE6-R4-120 |



* Representative sizes shown in here. Other sizes are also available on request.

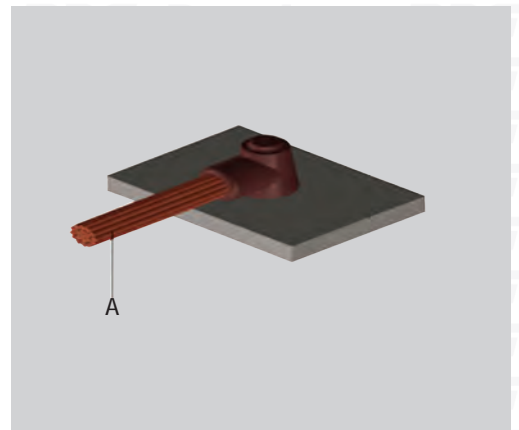
* CABLE TO REINFORCING BAR RCRE17

| A mm ² Ø | B mm ² | Weld & Ignition Powder | Mould |
|---------------------------|----------------------|---------------------------|----------------|
| 10-40 | 16 | RWP 045 | RCRE17-R3-16 |
| 10-40 | 25 | RWP 045 | RCRE17-R3-25 |
| 10-40 | 35 | RWP 045 | RCRE17-R3-35 |
| 10-40 | 8 mm Ø | RWP 090 | RCRE17-R3-8SC |
| 10-40 | 50 | RWP 090 | RCRE17-R3-50 |
| 10-40 | 10 mm Ø | RWP 090 | RCRE17-R3-10SC |
| 10-40 | 70 | RWP 090 | RCRE17-R3-70 |
| 10-40 | 95 | RWP 090 | RCRE17-R3-95 |
| 10-40 | 120 | RWP 090 | RCRE17-R3-120 |



* CABLE TO STEEL SURFACE & PIPE RCS1

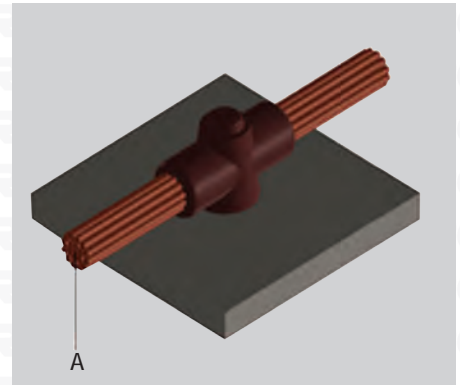
| A mm ² | Weld & Ignition Powder | Mould |
|----------------------|--------------------------------------|---------------|
| 16 | For details refer the table for RCS8 | |
| 25 | | |
| 35 | | |
| 8 mm Ø | RWP 090 | RCS1-R4-8SC |
| 50 | RWP 090 | RCS1-R4-50-FU |
| 10 mm Ø | RWP 090 | RCS1-R4-10SC |
| 70 | RWP 090 | RCS1-R4-70 |
| 95 | RWP 115 | RCS1-R4-95 |
| 120 | RWP 115 | RCS1-R4-120 |
| 150 | RWP 150 | RCS1-R4-150 |
| 185 | RWP 200 | RCS1-R4-185 |
| 240 | RWP 200 | RCS1-R4-240 |
| 300 | RWP 250 | RCS1-R4-300 |



* Representative sizes shown in here. Other sizes are also available on request.

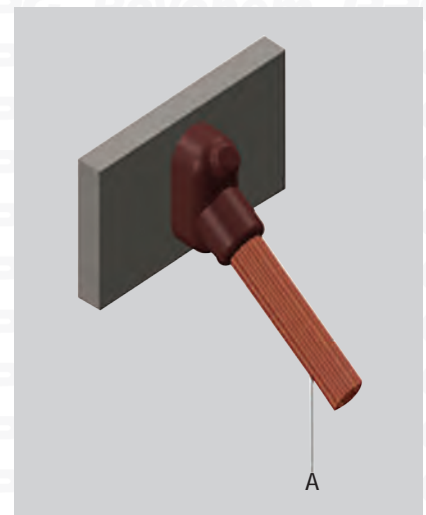
* CABLE TO STEEL SURFACE & PIPE RCS2

| A mm ² | Weld & Ignition Powder | Mould |
|----------------------|--------------------------------------|--------------|
| 16 | For details refer the table for RCS9 | |
| 25 | | |
| 35 | | |
| 8 mm Ø | RWP 090 | RCS2-R4-8SC |
| 50 | RWP 090 | RCS2-R4-50 |
| 10 mm Ø | RWP 115 | RCS2-R4-10SC |
| 70 | RWP 115 | RCS2-R4-70 |
| 95 | RWP 1 15 | RCS2-R4-95 |
| 120 | RWP 150 | RCS2-R4-120 |
| 150 | RWP 200 | RCS2-R4-150 |
| 185 | RWP 250 | RCS2-R4-185 |
| 240 | RWP 2 x 150 | RCS2-R5-240 |
| 300 | RWP 2 x 200 | RCS2-R5-300 |



* CABLE TO STEEL SURFACE & PIPE CS3

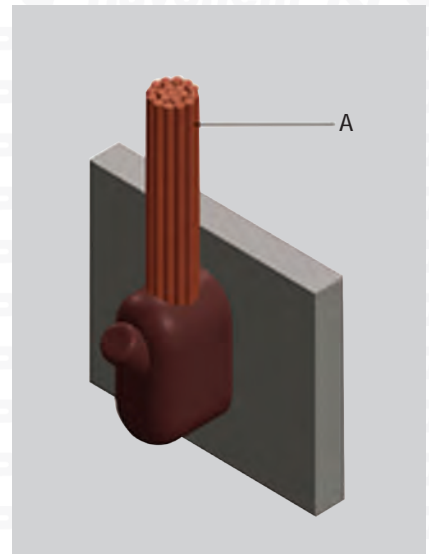
| A mm ² | Weld & Ignition Powder | Mould |
|----------------------|---------------------------|--------------|
| 16 | RWP 045 | RCS3-R4-16 |
| 25 | RWP 045 | RCS3-R4-25 |
| 35 | RWP 045 | RCS3-R4-35 |
| 8 mm Ø | RWP 065 | RCS3-R4-8SC |
| 50 | RWP 065 | RCS3-R4-50 |
| 10 mm Ø | RWP 090 | RCS3-R4-10SC |
| 70 | RWP 090 | RCS3-R4-70 |
| 95 | RWP 115 | RCS3-R4-95 |
| 120 | RWP 115 | RCS3-R4-120 |
| 150 | RWP 115 | RCS3-R4-150 |
| 185 | RWP 200 | RCS3-R4-185 |
| 240 | RWP 200 | RCS3-R4-240 |
| 300 | RWP 250 | RCS3-R4-300 |



* Representative sizes shown in here. Other sizes are also available on request.

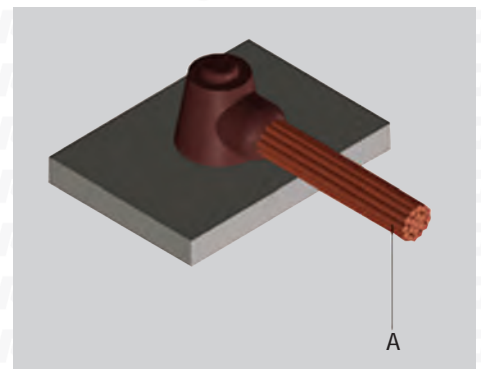
* CABLE TO STEEL SURFACE & PIPE RCS7

| A mm ² | Weld & Ignition Powder | Mould |
|----------------------|---------------------------|--------------|
| 16 | RWP 065 | RCS7-R4-16 |
| 25 | RWP 065 | RCS7-R4-25 |
| 35 | RWP 065 | RCS7-R4-35 |
| 8 mm Ø | RWP 090 | RCS7-R4-8SC |
| 50 | RWP 090 | RCS7-R4-50 |
| 10 mm Ø | RWP 150 | RCS7-R4-10SC |
| 70 | RWP 150 | RCS7-R4-70 |
| 95 | RWP 200 | RCS7-R5-95 |
| 120 | RWP 200 | RCS7-R5-120 |
| 150 | RWP 250 | RCS7-R5-150 |
| 185 | RWP 2 x 150 | RCS7-R9-185 |
| 240 | RWP 2 x 150 | RCS7-R9-240 |
| 300 | RWP 2 x 200 | RCS7-R10-300 |



* CABLE TO STEEL SURFACE & PIPE RCS8

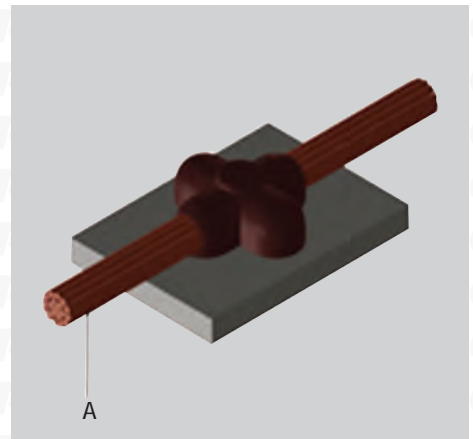
| A mm ² | Weld & Ignition Powder | Mould |
|----------------------|---------------------------|--------------|
| 16 | RWP 045 | RCS8-R2-16 |
| 25 | RWP 045 | RCS8-R2-25 |
| 35 | RWP 045 | RCS8-R2-35 |
| 8 mm Ø | RWP 045 | RCS8-R2-8SC |
| 50 | RWP 045 | RCS8-R2-50 |
| 10 mm Ø | RWP 065 | RCS8-R2-10SC |
| 70 | RWP 065 | RCS8-R2-70 |
| 95 | RWP 090 | RCS8-R2-95 |
| 120 | RWP 115 | RCS8-R4-120 |
| 150 | RWP 150 | RCS8-R4-150 |
| 185 | RWP 200 | RCS8-R4-185 |
| 240 | RWP 200 | RCS8-R4-240 |
| 300 | RWP 250 | RCS8-R4-300 |



* Representative sizes shown in here. Other sizes are also available on request.

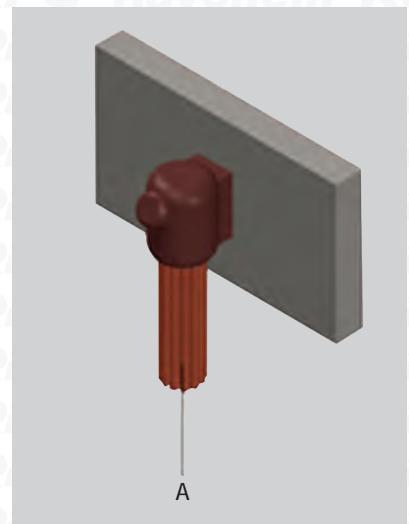
* CABLE TO STEEL SURFACE & PIPE RCS9

| A mm ² | Weld & Ignition Powder | Mould |
|----------------------|---------------------------|--------------|
| 16 | RWP 045 | RCS9-R2-16 |
| 25 | RWP 045 | RCS9-R2-25 |
| 35 | RWP 045 | RCS9-R2-35 |
| 8 mm Ø | RWP 090 | RCS9-R4-8SC |
| 50 | RWP 090 | RCS9-R4-50 |
| 10 mm Ø | RWP 115 | RCS9-R4-10SC |
| 70 | RWP 115 | RCS9-R4-70 |
| 95 | RWP 115 | RCS9-R4-95 |
| 120 | RWP 150 | RCS9-R4-120 |
| 150 | RWP 200 | RCS9-R4-150 |
| 185 | RWP 250 | RCS9-R4-185 |
| 240 | RWP 2 x 150 | RCS9-R5-240 |



* CABLE TO STEEL SURFACE & PIPE RCS25

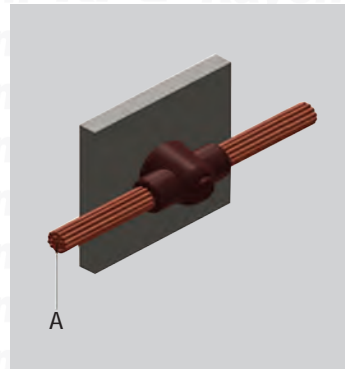
| A mm ² | Weld & Ignition Powder | Mould |
|----------------------|---------------------------|---------------|
| 16 | RWP 45 | RCS25-R4-16 |
| 25 | RWP 45 | RCS25-R4-25 |
| 35 | RWP 45 | RCS25-R4-35 |
| 8 mm Ø | RWP 65 | RCS25-R4-8SC |
| 50 | RWP 65 | RCS25-R4-50 |
| 10 mm Ø | RWP 90 | RCS25-R4-10SC |
| 70 | RWP 90 | RCS25-R4-70 |
| 95 | RWP 115 | RCS25-R4-95 |
| 120 | RWP 115 | RCS25-R4-120 |
| 150 | RWP 150 | RCS25-R4-150 |
| 185 | RWP 200 | RCS25-R4-185 |
| 240 | RWP 200 | RCS25-R4-240 |
| 300 | RWP 250 | RCS25-R4-300 |



* Representative sizes shown in here. Other sizes are also available on request.

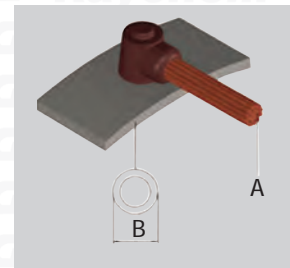
* CABLE TO STEEL SURFACE & PIPE RCS27

| A mm ² | Weld & Ignition Powder | Mould |
|-------------------|------------------------|---------------|
| 16 | RWP 45 | RCS25-R4-16 |
| 25 | RWP 045 | RCS27-R4-25 |
| 35 | RWP 045 | RCS27-R4-35 |
| 8 mm Ø | RWP 065 | RCS27-R4-8SC |
| 50 | RWP 065 | RCS27-R4-50 |
| 10 mm Ø | RWP 115 | RCS27-R4-10SC |
| 70 | RWP 115 | RCS27-R4-70 |
| 95 | RWP 150 | RCS27-R4-95 |
| 120 | RWP 150 | RCS27-R4-120 |
| 150 | RWP 200 | RCS27-R5-150 |
| 185 | RWP 250 | RCS27-R5-185 |
| 240 | RWP 2 x 150 | RCS27-R5-240 |
| 300 | RWP 2 x 200 | RCS27-R5-300 |



* CABLE TO STEEL SURFACE & PIPE RCS32

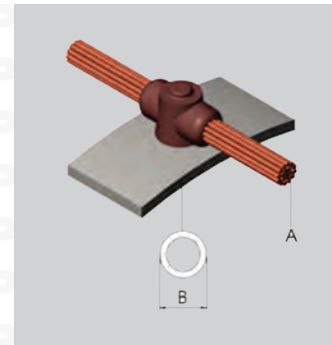
| A mm ² | A mm Ø | Weld & Ignition Powder | Mould |
|-------------------|---------|------------------------|----------------|
| 2.5 | < 125 | RWP 015 | RCS32-R1-2.5-A |
| 2.5 | > 125 | RWP 015 | RCS32-R1-2.5-B |
| 4 | < 125 | RWP 015 | RCS32-R1-4-A |
| 4 | > 125 | RWP 015 | RCS32-R1-4-B |
| 6 | < 125 | RWP 015 | RCS32-R1-6-A |
| 6 | > 125 | RWP 015 | RCS32-R1-6-B |
| 10 | < 125 | RWP 025 | RCS32-R1-10-A |
| 10 | > 125 | RWP 025 | RCS32-R1-10-B |
| 16 | < 125 | RWP 045 | RCS32-R2-16-A |
| 16 | > 125 | RWP 045 | RCS32-R2-16-B |
| 25 | < 70 | RWP 025 | RCS32-R1-25-C |
| 25 | 70-165 | RWP 025 | RCS32-R1-25-D |
| 25 | > 165 | RWP 025 | RCS32-R1-25-E |
| 35 | < 70 | RWP 045 | RCS32-R2-35-C |
| 35 | 70-165 | RWP 045 | RCS32-R2-35-D |
| 35 | 165-250 | RWP 045 | RCS32-R2-35-F |
| 35 | > 250 | RWP 045 | RCS32-R2-35-G |
| 50 | < 70 | RWP 045 | RCS32-R2-50-C |
| 50 | 70-165 | RWP 045 | RCS32-R2-50-D |
| 50 | 165-250 | RWP 045 | RCS32-R2-50-F |
| 50 | > 250 | RWP 045 | RCS32-R2-50-G |
| 70 | < 70 | RWP 045 | RCS32-R2-70-C |
| 70 | 70-165 | RWP 065 | RCS32-R2-70-D |
| 70 | 165-250 | RWP 065 | RCS32-R2-70-F |
| 70 | > 250 | RWP 065 | RCS32-R2-70-G |



* Representative sizes shown in here. Other sizes are also available on request.

* CABLE TO STEEL SURFACE & PIPE RCS34

| A mm ² | A mm Φ | Weld & Ignition Powder | Mould |
|-------------------|---------|------------------------|----------------|
| 2.5 | < 125 | RWP 015 | RCS34-R2-2.5-A |
| 2.5 | > 125 | RWP 015 | RCS34-R2-2.5-B |
| 4 | < 125 | RWP 015 | RCS34-R2-4-A |
| 4 | > 125 | RWP 015 | RCS34-R2-4-B |
| 6 | < 125 | RWP 015 | RCS34-R2-6-A |
| 6 | > 125 | RWP 015 | RCS34-R2-6-B |
| 10 | < 125 | RWP 032 | RCS34-R2-10-A |
| 10 | > 125 | RWP 032 | RCS34-R2-10-B |
| 16 | < 125 | RWP 032 | RCS34-R2-16-A |
| 16 | > 125 | RWP 032 | RCS34-R2-16-B |
| 25 | < 70 | RWP 032 | RCS34-R2-25-C |
| 25 | 70-165 | RWP 032 | RCS34-R2-25-D |
| 25 | > 165 | RWP 032 | RCS34-R2-25-E |
| 35 | < 70 | RWP 045 | RCS34-R2-35-C |
| 35 | 70-165 | RWP 045 | RCS34-R2-35-D |
| 35 | 165-250 | RWP 045 | RCS34-R2-35-F |
| 35 | > 250 | RWP 045 | RCS34-R2-35-G |
| 50 | < 70 | RWP 065 | RCS34-R2-50-C |
| 50 | 70-165 | RWP 065 | RCS34-R2-50-D |
| 50 | 165-250 | RWP 065 | RCS34-R2-50-F |
| 50 | > 250 | RWP 065 | RCS34-R2-50-G |



* Representative sizes shown in here. Other sizes are also available on request.

4.4 ACCESSORIES

4.4.1. HANDLE CLAMPS

| | |
|-------------|-----------|
| Small size | HCRRL - 3 |
| Medium size | HCRRL - 4 |
| Large size | HCRRL - 5 |



4.4.2. EXO-THERMIC WELD POWDER

| Part No | Raychem RPG Item Description |
|---------|--------------------------------------|
| RWP 015 | Exo-thermic Welding Powder 15grams. |
| RWP 025 | Exo-thermic Welding Powder 25grams. |
| RWP 032 | Exo-thermic Welding Powder 32grams. |
| RWP 045 | Exo-thermic Welding Powder 45grams. |
| RWP 065 | Exo-thermic Welding Powder 65grams. |
| RWP 090 | Exo-thermic Welding Powder 90grams. |
| RWP 115 | Exo-thermic Welding Powder 115grams. |
| RWP 150 | Exo-thermic Welding Powder 150grams. |
| RWP 200 | Exo-thermic Welding Powder 200grams. |
| RWP 250 | Exo-thermic Welding Powder 250grams. |



Note: Ignition powder and steel disc provided as part of weld powder.

4.4.3. OTHER MISCELLANEOUS ACCESSORIES

| Part No | Raychem RPG Item Description |
|-------------|------------------------------|
| RFG-01 | Flint Gun |
| RMCB-01 | Mould Cleaning Brush |
| RWCCB-01 | Weld Cavity cleaning brush |
| RFCB-01 | File Card Brush |
| RSRS-01+D13 | Slag remover scrapper |
| RHG-01 | Hand Gloves |



5. ADDITIONAL PRODUCTS AVAILABLE

1. **Active System:**

Early Streamer Emission (ESE) Air terminal: With Galvanized Iron (GI) Pipe Support.

- The Early Streamer Emission (ESE) air terminals are Active Lightning Protection System (LPS).
- The Active air terminal follows the relevant standards as per NFC 17-102, UNE 21186 or similar.
- These do not required any external power supply.

2. **Lightning Stroke / Flash Counter.**

It counts the total Lightning Strike and displays in Analogue format.

Note:-

- Manual intervention required.
- Installation in multiple locations for helps in easy maintenance and better results.

3. **Surge Protection Devises (SPD's).**

Surge Protection Devices (SPD's) protects the internal distribution boards / equipment against transient induced over voltage / current (Indirect lightning).

- Distribution SPD: Class I, Class I + II (B+C), Class II, Class III.
- Telecomm & Data SPD.

4. **Isolating Spark Gap (ISG) / Transient Earth Clamp.**

- Isolating spark gaps are installations above ground or underground which are useful to indirectly earth and connect functionally isolated parts of installations which are under lightning conditions.
- Isolating spark gaps provide galvanic isolation of electrically conducting parts of an installation that must not be connected to each other.



ENGINEERING GROWTH . PIONEERING EXCELLENCE



Raychem RPG (P) Ltd.

Corporate Office

RPG House, 463, Dr. A. B. Road, Worli, Mumbai - 400030
 Tel. : +91 22 24937485 / 24937486
 Fax : +91 22 24938879

International Business Division (IBD) - EBU

1,62, M.G. Rd., Near Bharat Petroleum Pump,
 Off. Western Express Highway, P. Satavali, Bassein, Taluka Vasai,
 Dist. Palghar
 Tel. : +91 250 3057500
 Fax : +91 250 2480046

GCC - Regional Office

Office No.906 SIT Tower, Dubai Silicon Oasis,
 Dubai United Arab Emirates
 P O Box No 294632
 Tel: +971 4 345 4878 /898
 Fax: +971 4 345 4801

Email : elps@raychemrpg.com
www.raychemrpg.com

